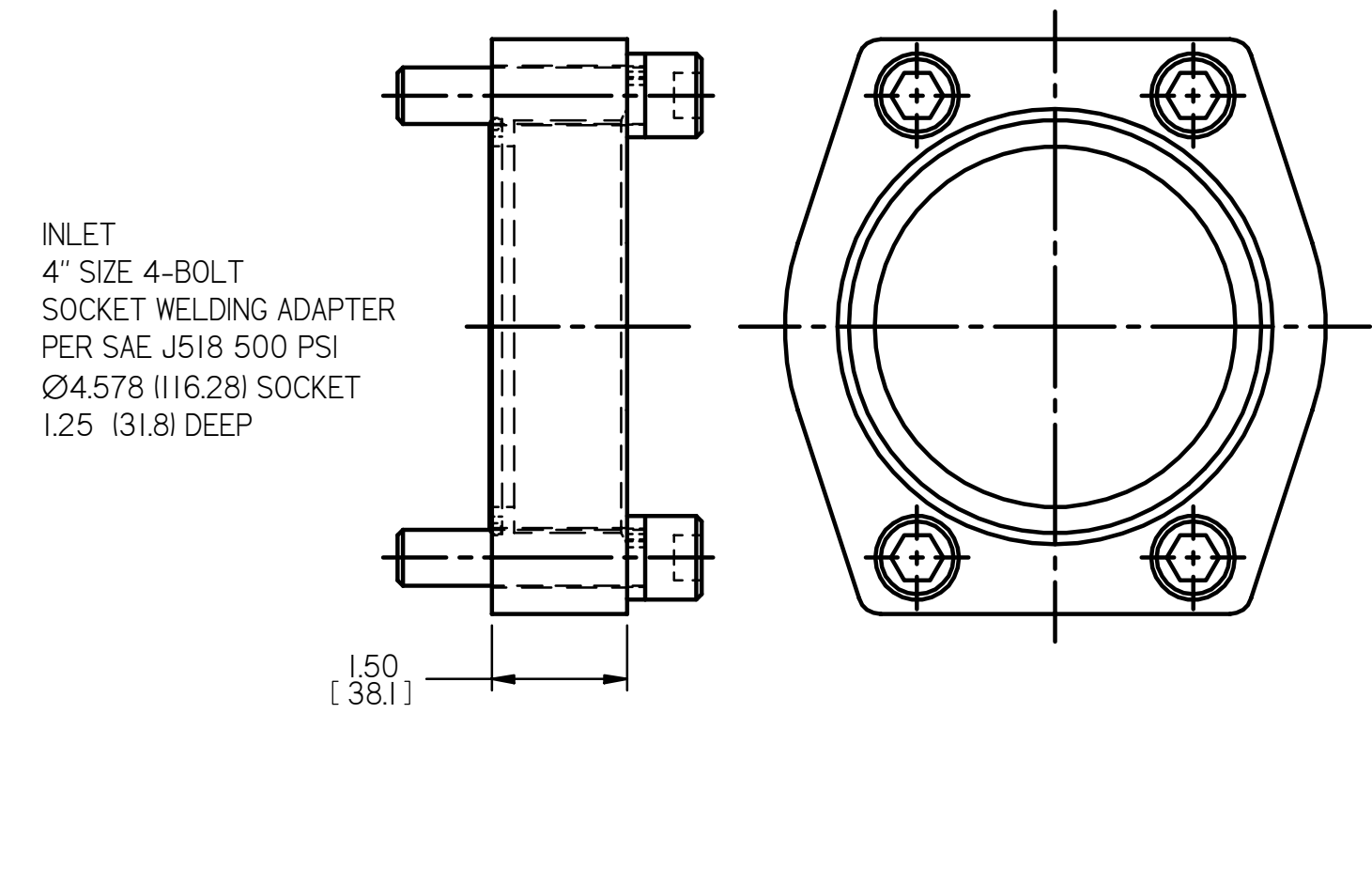
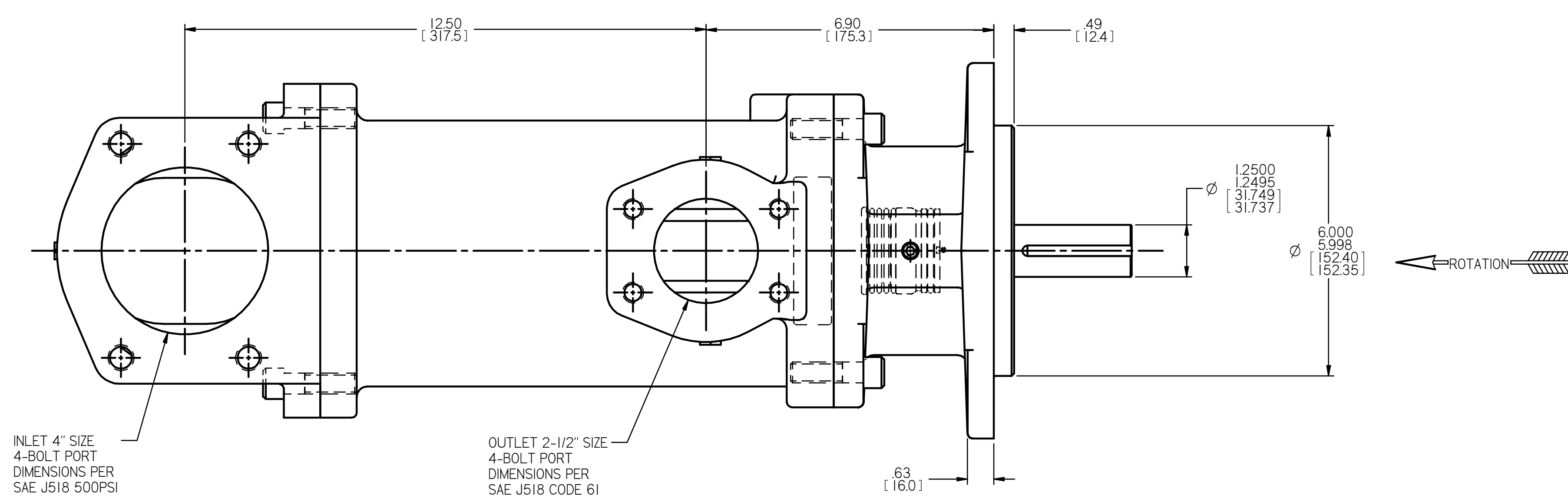


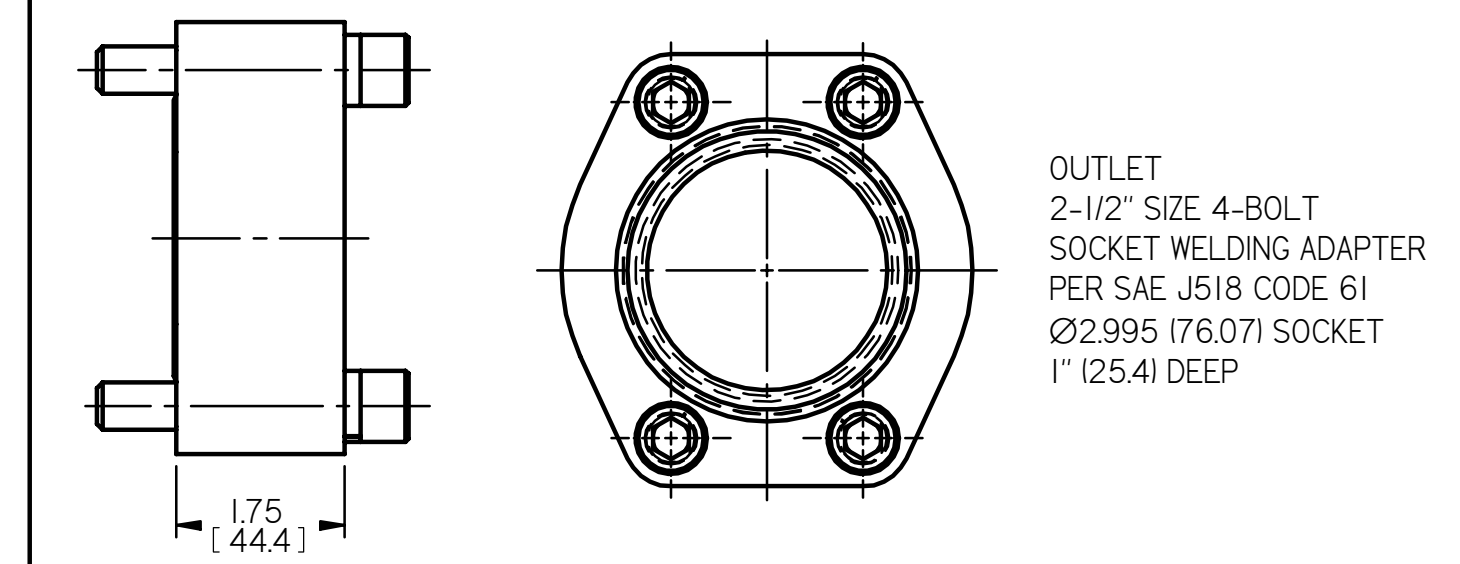
REVISION HISTORY						
CHG NO	ZONE	REV	DESCRIPTION	DATE	BY	APPROVED
11-0187	A1	5	CHANGED TITLE, WAS AA3G	5-16-11	ERH	ERH
11-0293	C1	6	CORRECTED FORCES AND MOMENTS	7-26-11	ERH	ERH
11-0458	B4	07	ADDED DROP DOWN OPTIONS	11-21-11	CHH	CHH



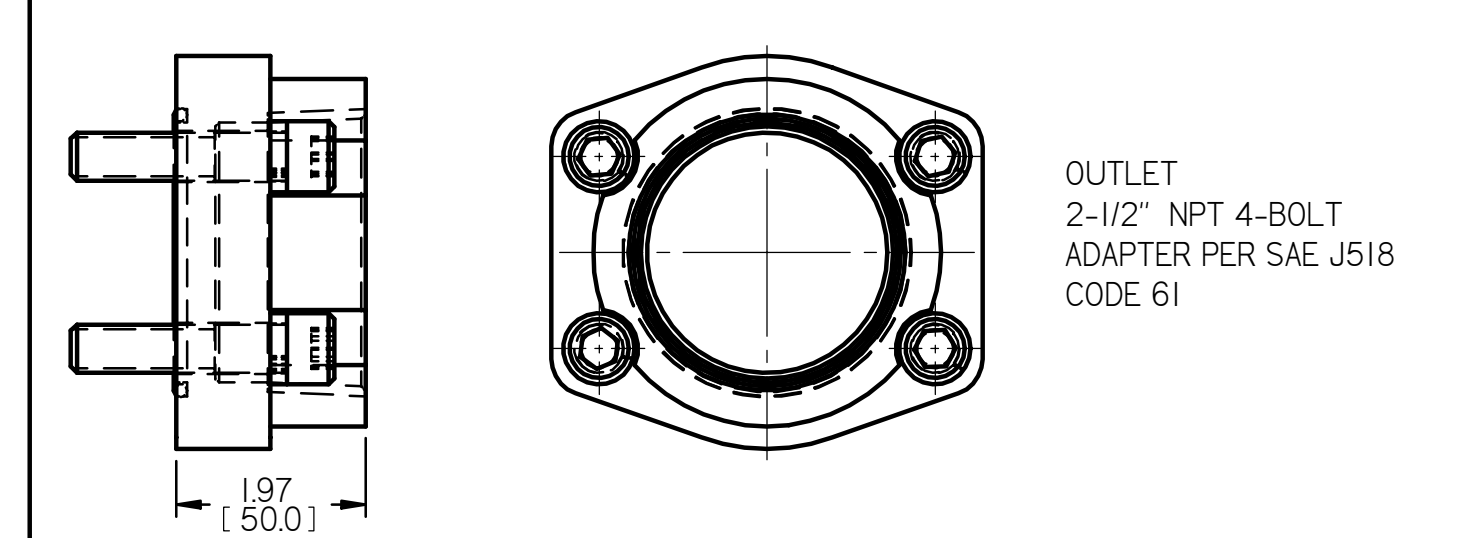
OPTIONAL INLET PORT ADAPTER



INLET 4" SIZE 4-BOLT PORT DIMENSIONS PER SAE J518 500PSI
 OUTLET 2-1/2" SIZE 4-BOLT PORT DIMENSIONS PER SAE J518 CODE 61

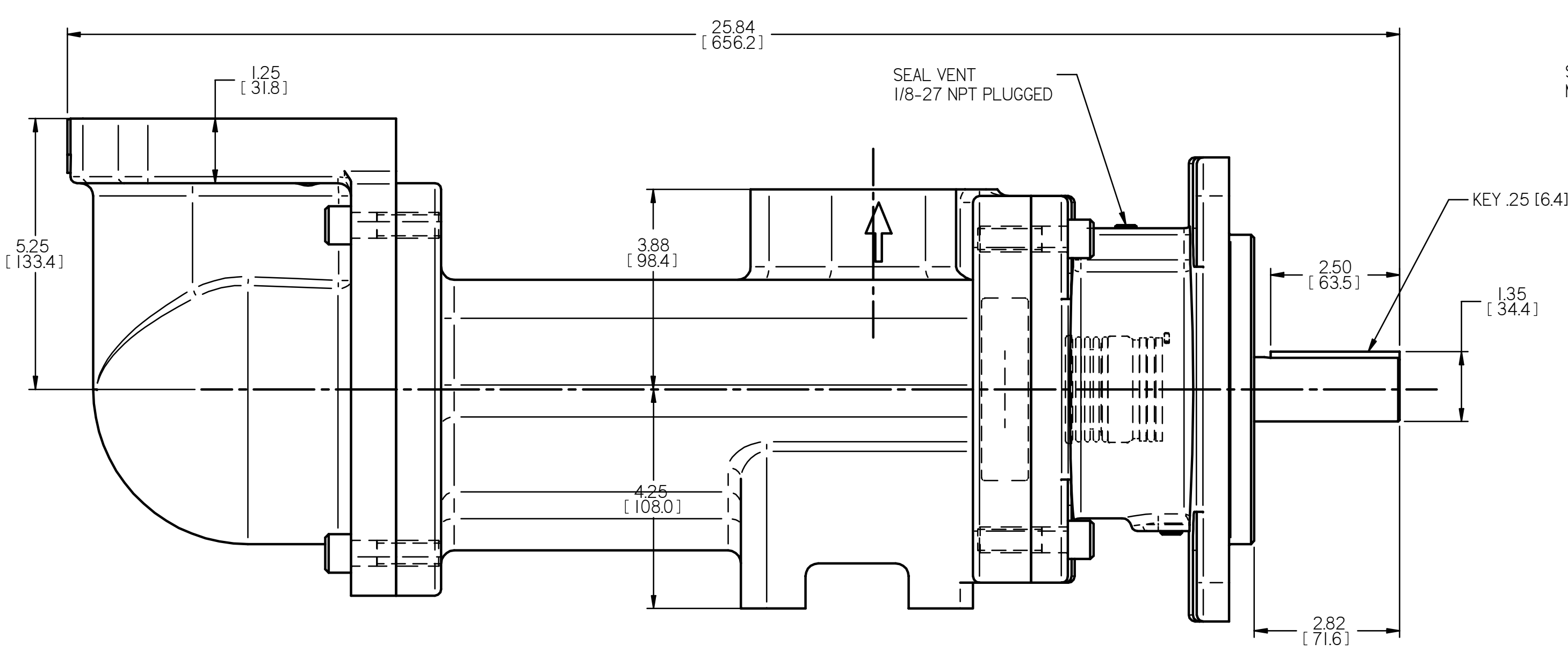


OUTLET 2-1/2" SIZE 4-BOLT SOCKET WELDING ADAPTER PER SAE J518 CODE 61 Ø2.995 (76.07) SOCKET 1" (25.4) DEEP

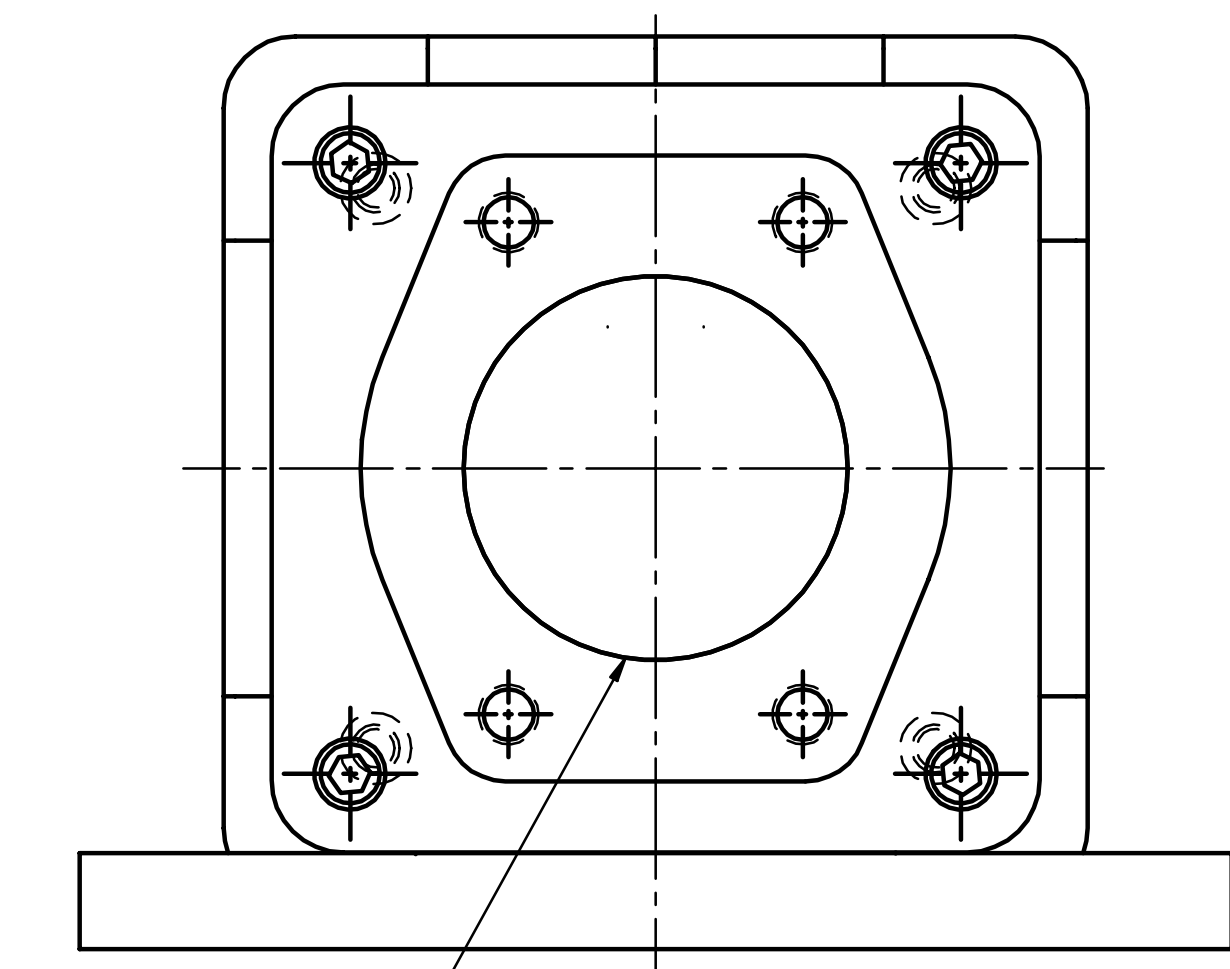
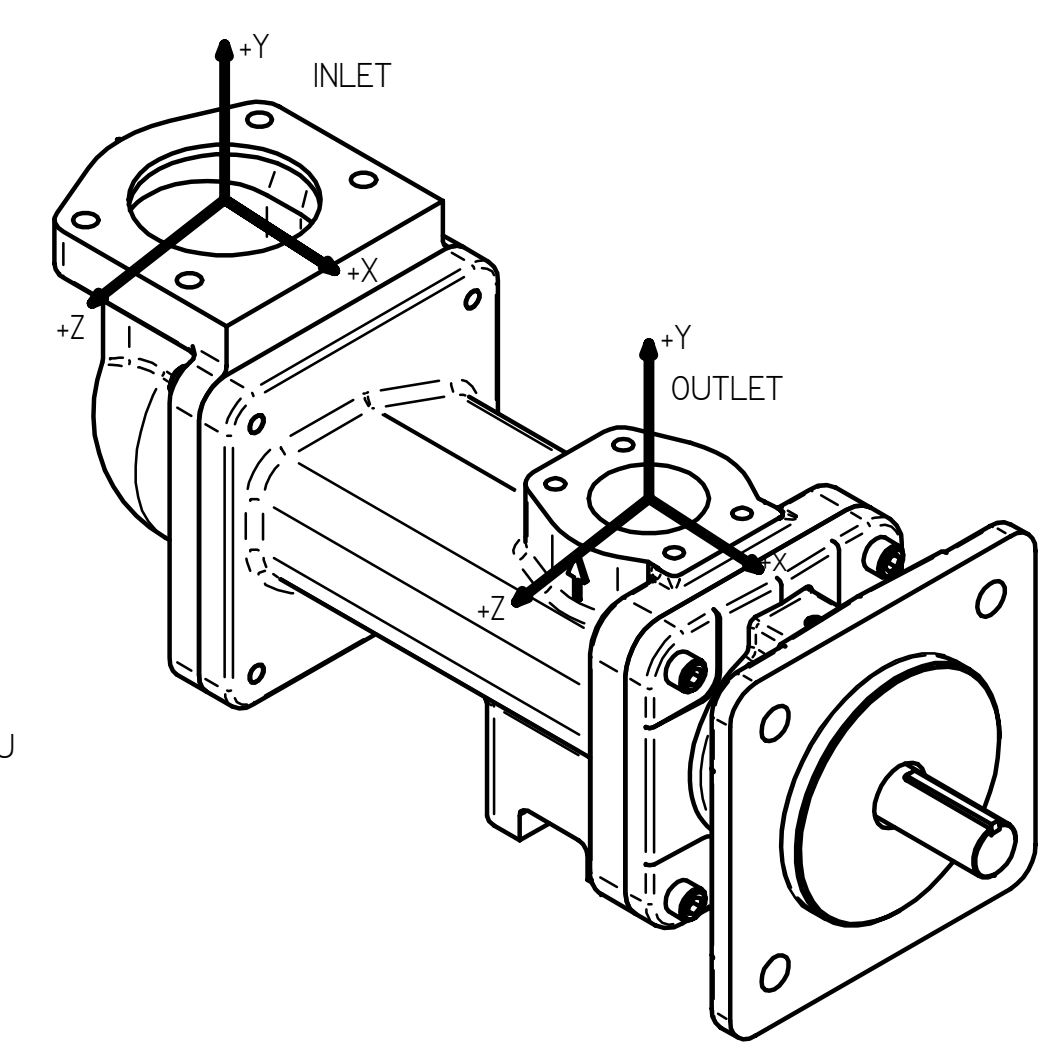
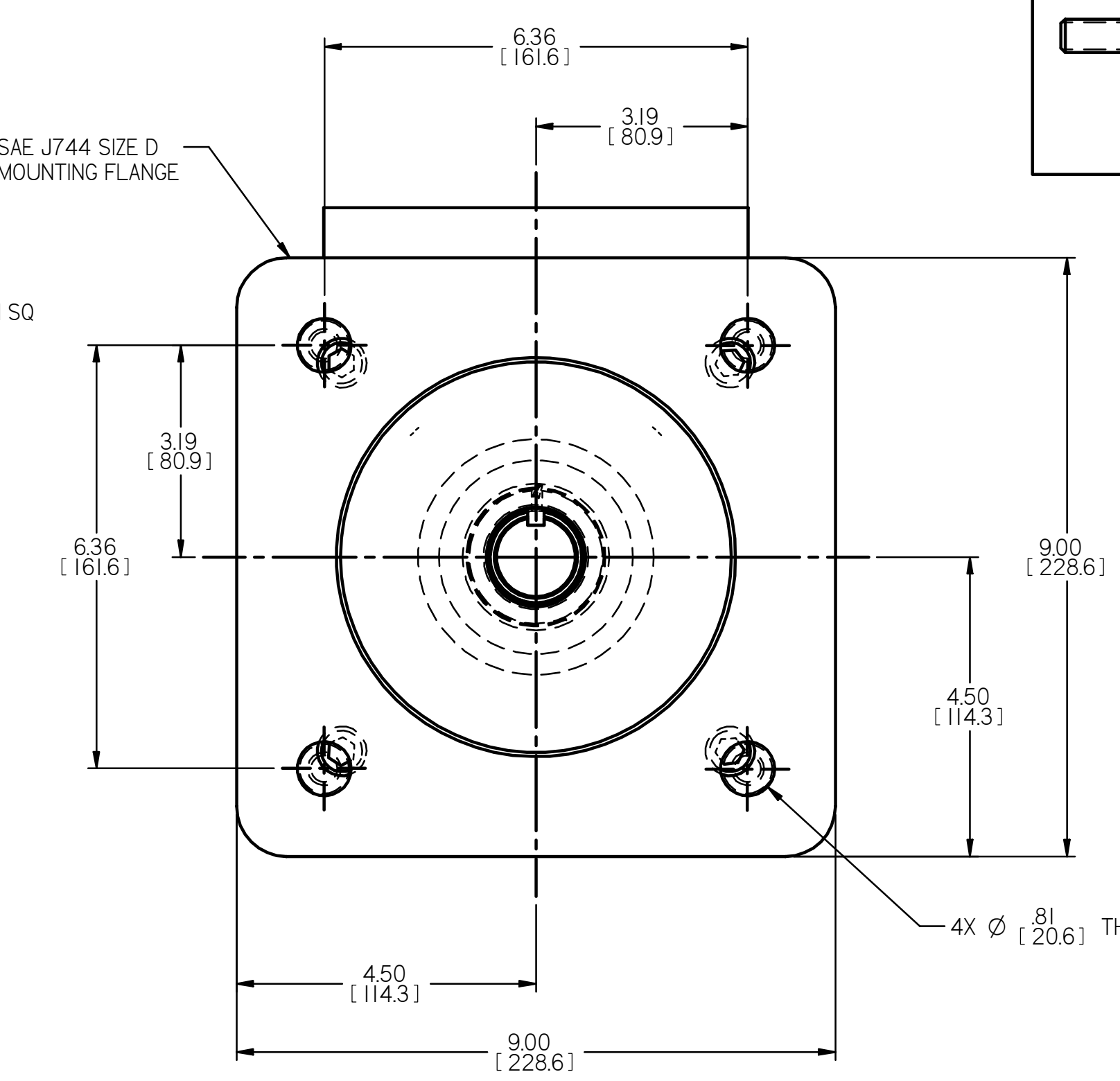


OUTLET 2-1/2" NPT 4-BOLT ADAPTER PER SAE J518 CODE 61

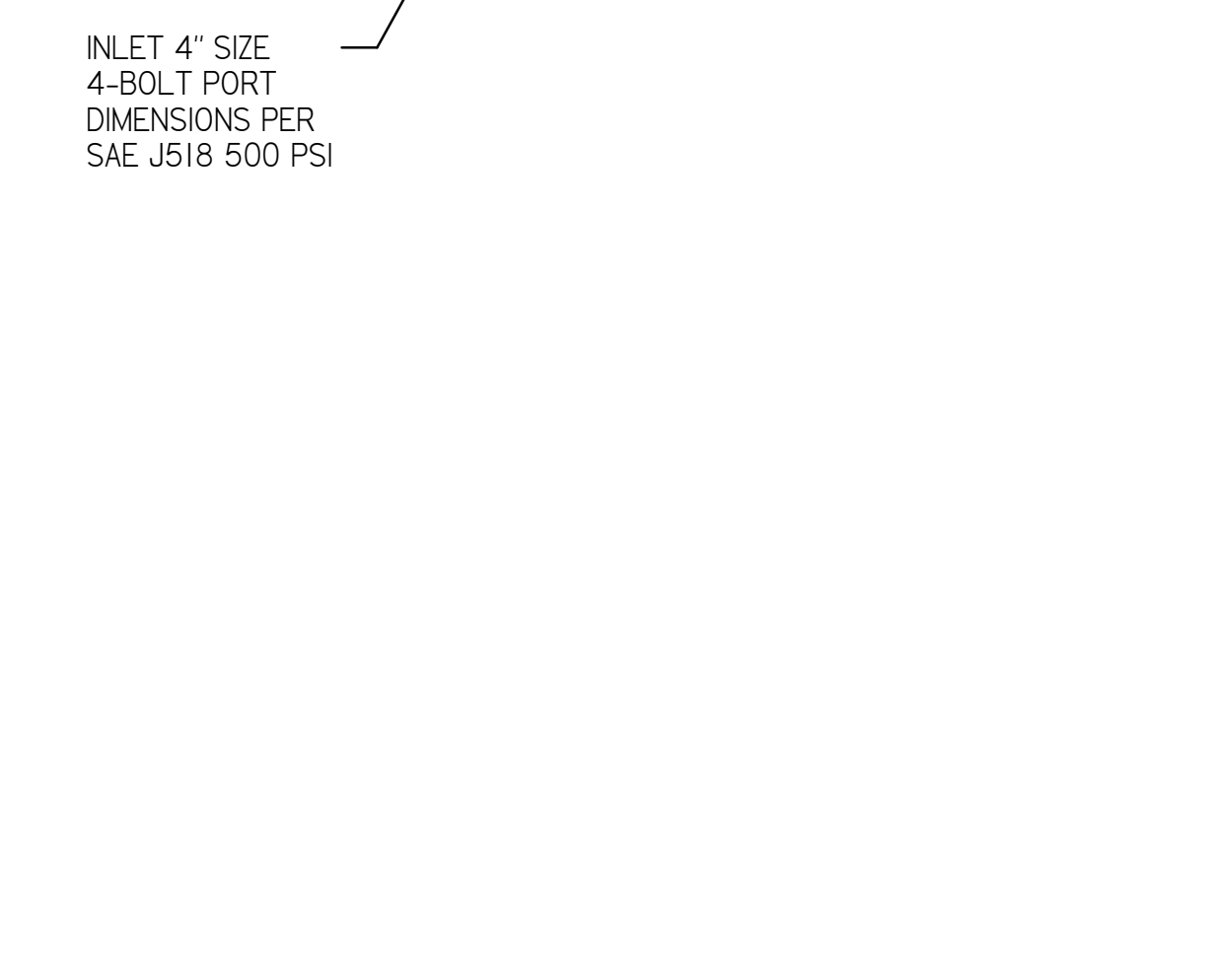
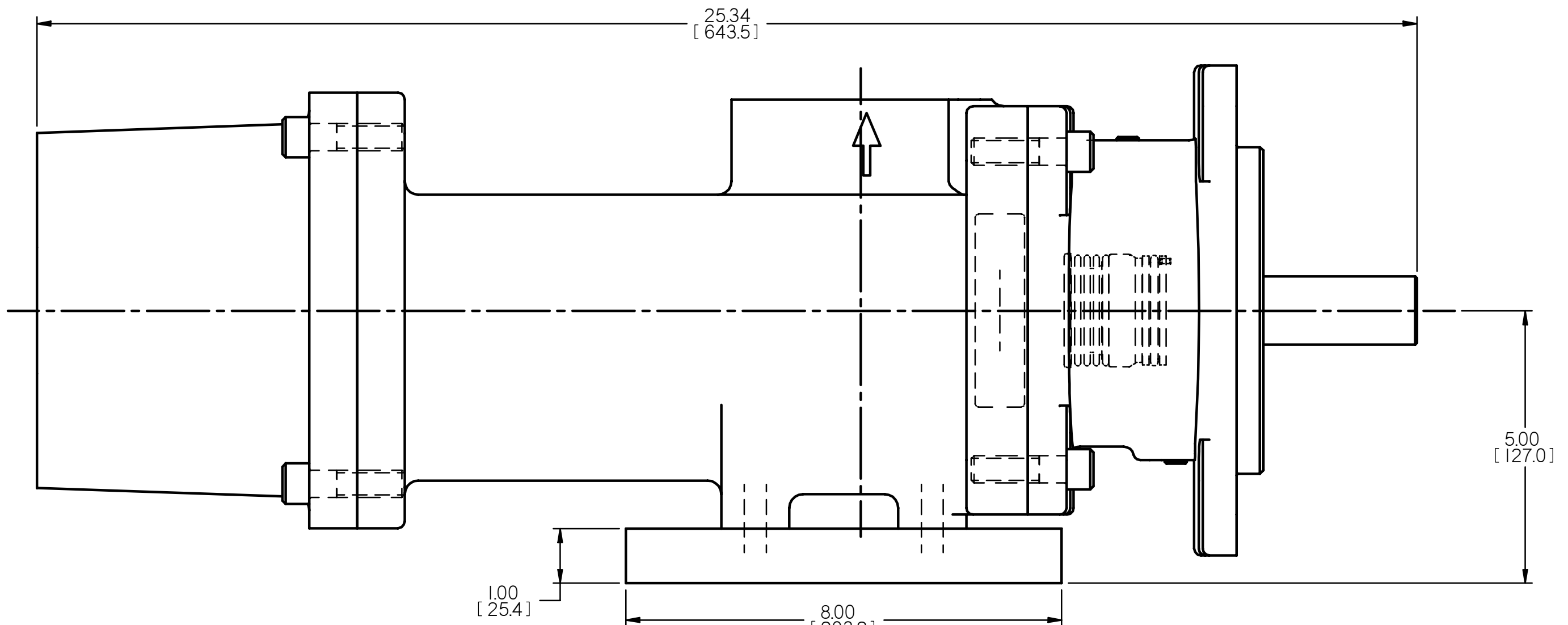
OPTIONAL OUTLET PORT ADAPTER



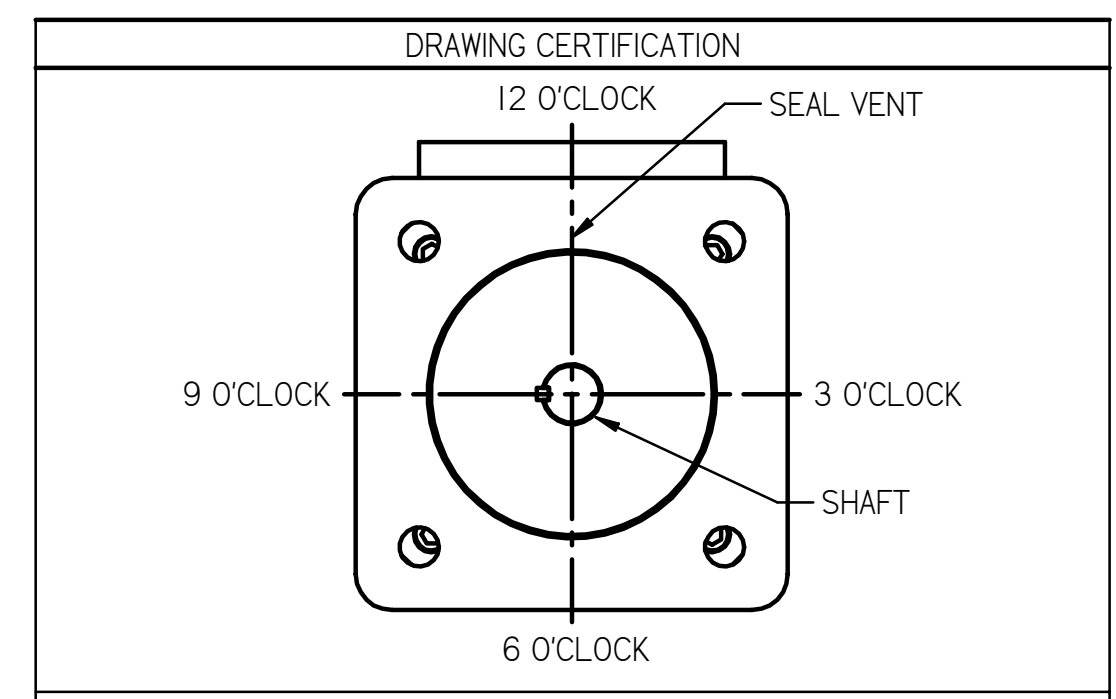
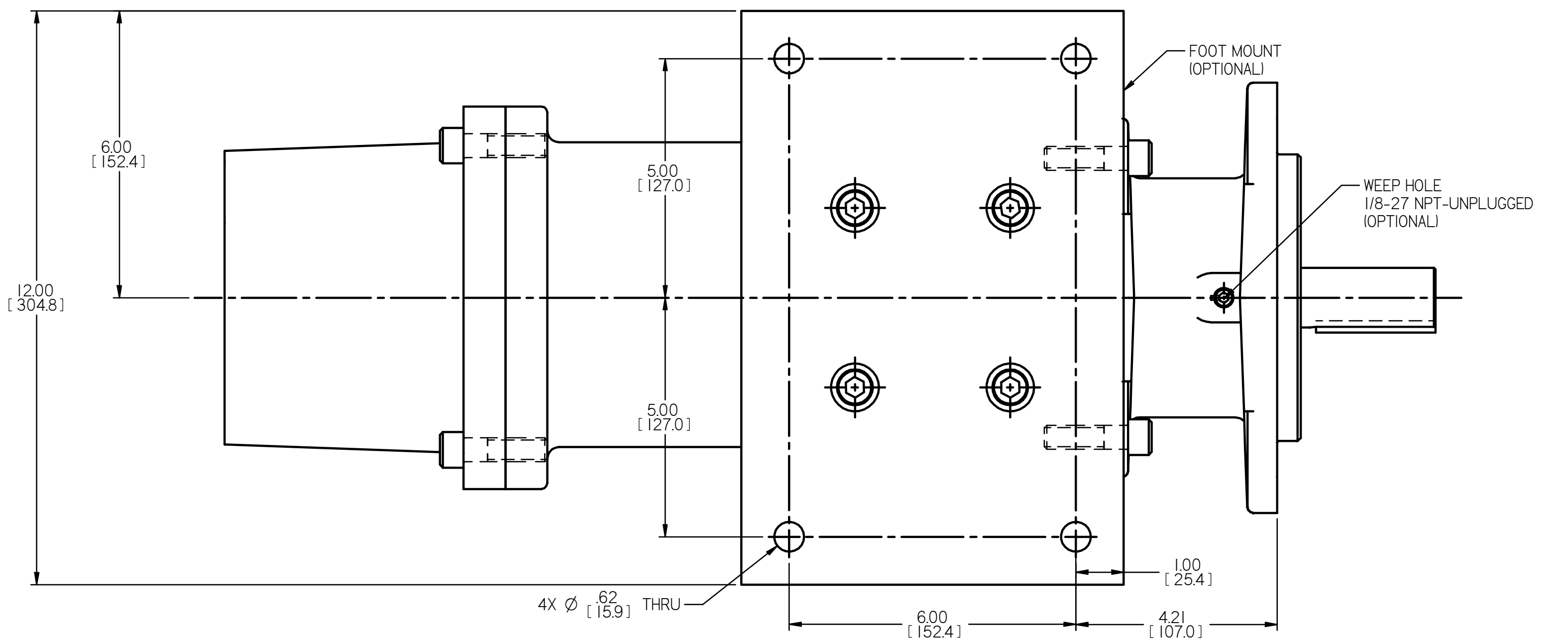
VIEWS FOR ALTERNATIVE AXIAL INLET, FOOT MOUNT, AND WEEP HOLE



INLET 4" SIZE 4-BOLT PORT DIMENSIONS PER SAE J518 500 PSI



INLET 4" SIZE 4-BOLT PORT DIMENSIONS PER SAE J518 500 PSI



INLET:
 FX= 300 LBF [1330 N] MX= 500 LB FT [678 N*m]
 FY= 300 LBF [1330 N] MY= 500 LB FT [678 N*m]
 FZ= 300 LBF [1330 N] MZ= 500 LB FT [678 N*m]

OUTLET:
 FX= 188 LBF [836 N] MX= 313 LB FT [424 N*m]
 FY= 188 LBF [836 N] MY= 313 LB FT [424 N*m]
 FZ= 188 LBF [836 N] MZ= 313 LB FT [424 N*m]

FORCE AND MOMENT VALUES ARE RELATIVE TO CENTER OF INLET AND OUTLET PORT FACES.

DRAWING CERTIFICATION

12 O'CLOCK SEAL VENT
 9 O'CLOCK
 3 O'CLOCK SHAFT
 6 O'CLOCK

CUSTOMER NAME: ***SEE NOTES 1, 2, & 3***

CUSTOMER PURCHASE ORDER NUMBER:
 CUSTOMER PART NUMBER:
 BILL OF MATERIAL NUMBER:
 PUMP TYPE:
 SHAFT ROTATION:
 INLET PORT ORIENTATION:
 OUTLET PORT ORIENTATION:
 FOOT BRACKET ORIENTATION:
 INLET PORT OPTION:
 INLET ADAPTER OPTION:
 OUTLET ADAPTER OPTION:
 RELIEF VALVE SET PRESSURE:
 IF APPLICABLE

OTHER INFORMATION

CERTIFIED BY
 CERTIFIED DATE
 IMO ORDER NUMBER
 DATA REVISION NUMBER

- NOTES:
- TO MAXIMIZE SEAL LIFE, SEAL VENT MUST BE ORIENTED UPWARD (12 O'CLOCK) WHEN PUMP IS INSTALLED HORIZONTALLY. VENT ORIENTATION IS NOT CRITICAL WHEN PUMP IS INSTALLED WITH SHAFT VERTICALLY UPWARD.
 - PORT, FOOT, AND SEAL VENT ORIENTATIONS ARE SUPPLIED AS SHOWN ON DRAWING UNLESS OTHERWISE SPECIFIED
 - ALTERNATE PORT AND FOOT ORIENTATIONS ARE PROVIDED IF SPECIFIED ON ORDER. AVAILABLE ORIENTATIONS ARE 3, 6, 9, AND 12 O'CLOCK.
 - BOLT PATTERN FOR SAE 4-BOLT AXIAL INLET IS ALWAYS ORIENTED AS SHOWN WITH RESPECT TO OUTLET PORT.
 - APPROXIMATE PUMP WEIGHT (WITHOUT ADAPTERS):
 FLANGE MOUNT PUMP-----190 LBS. (86.2 kgs)
 FOOT MOUNT PUMP-----220 LBS. (99.8 kgs)
 - UNLESS OTHERWISE SPECIFIED, ALL DIMENSIONS ARE IN INCHES. DIMENSIONS IN [] ARE MILLIMETERS

DRAWN	VAH	9-13-01
CHECKED	DMM	11-21-01
APP'D	BES	11-21-01
METHODS		

IMOPUMP
 1710 Airport Road
 PO Box 5020
 Monroe, NC USA
 28111-5020

TITLE: OUTLINE STANDARD (STEEL)
 3G/_S_[250]_

SIZE: F
 STAGE CODE: 59180
 DWG NO: SDD19982

SCALE: 1/2
 WEIGHT: SEE NOTE 5
 SHEET: 1 OF 1