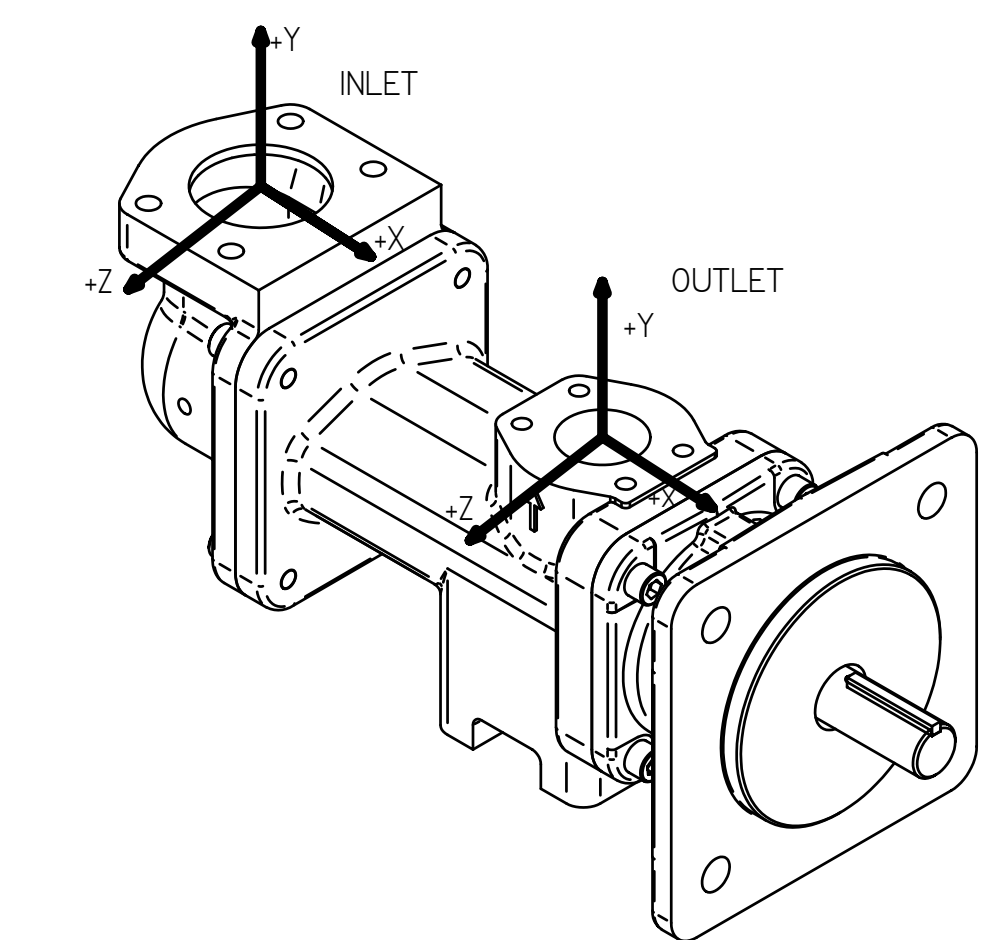
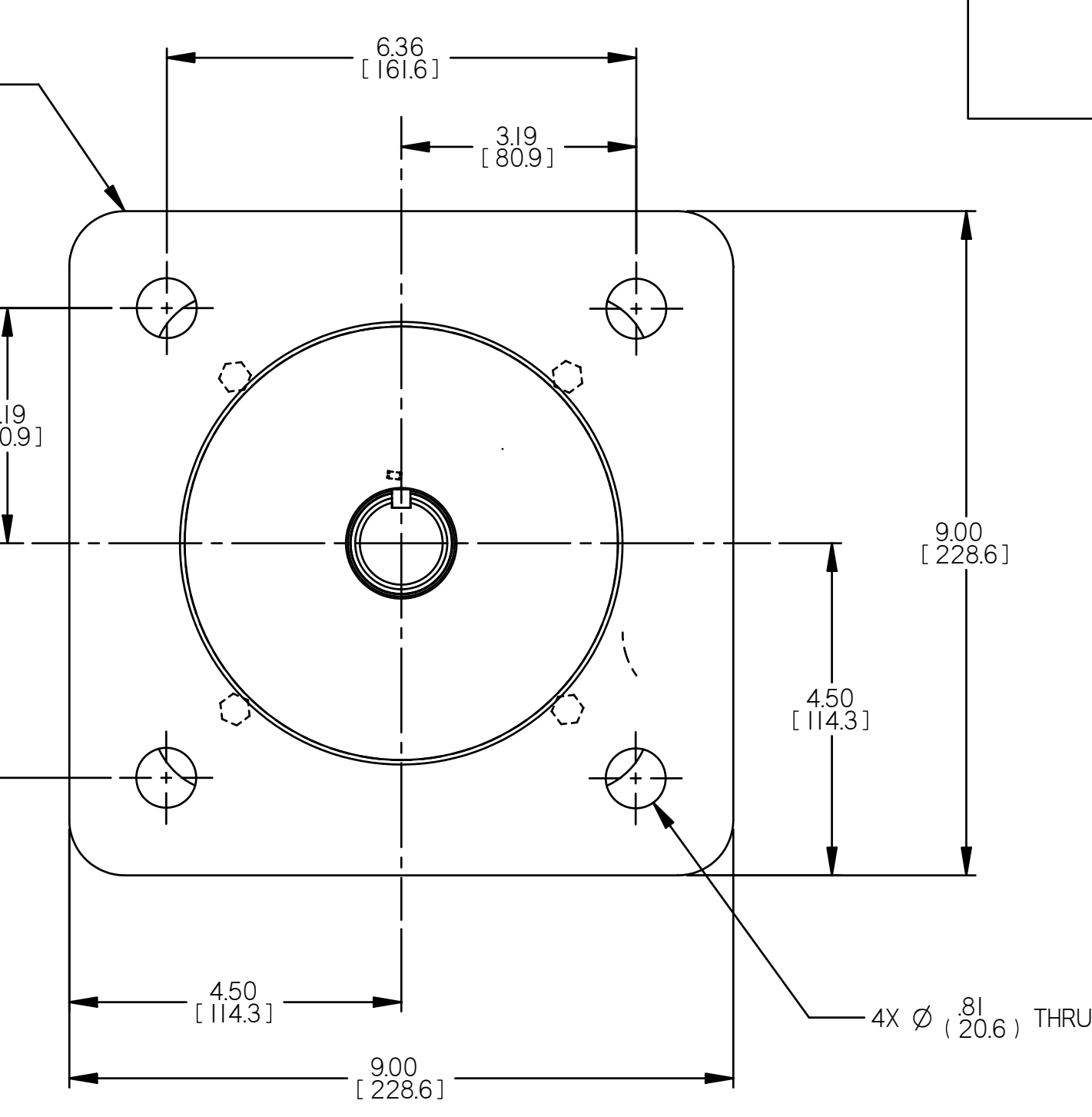
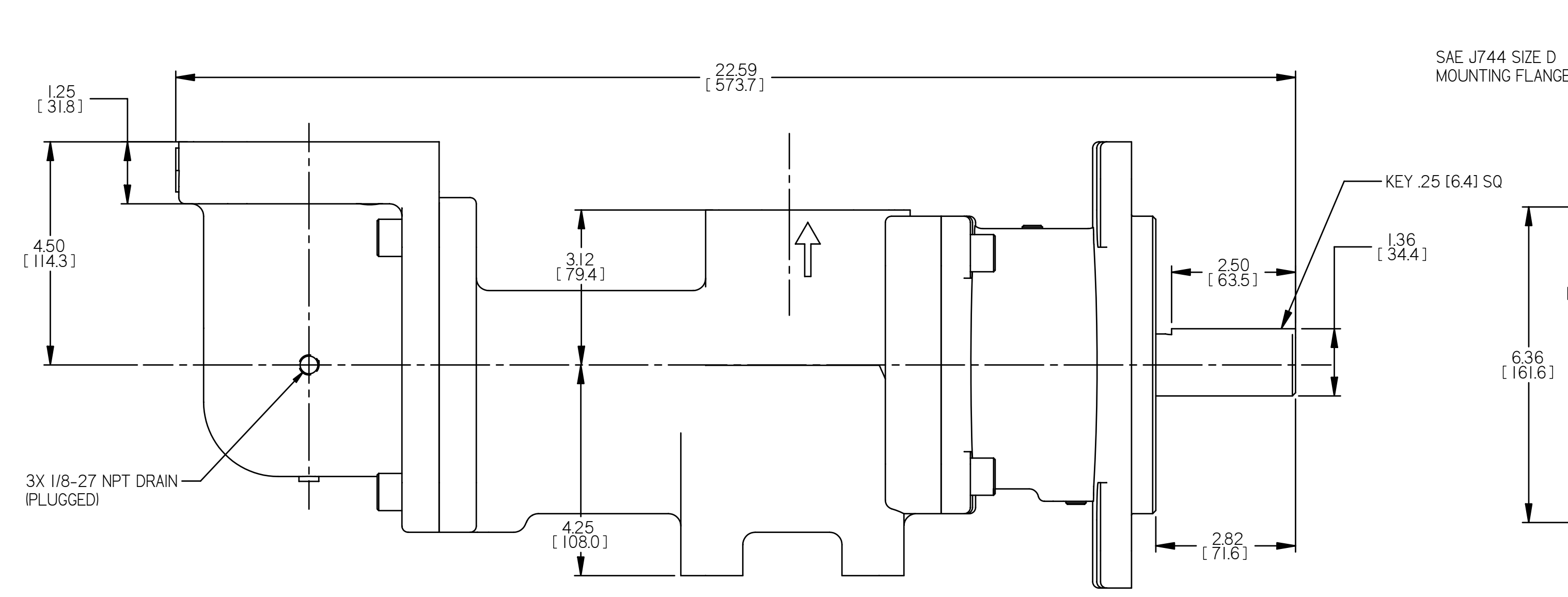
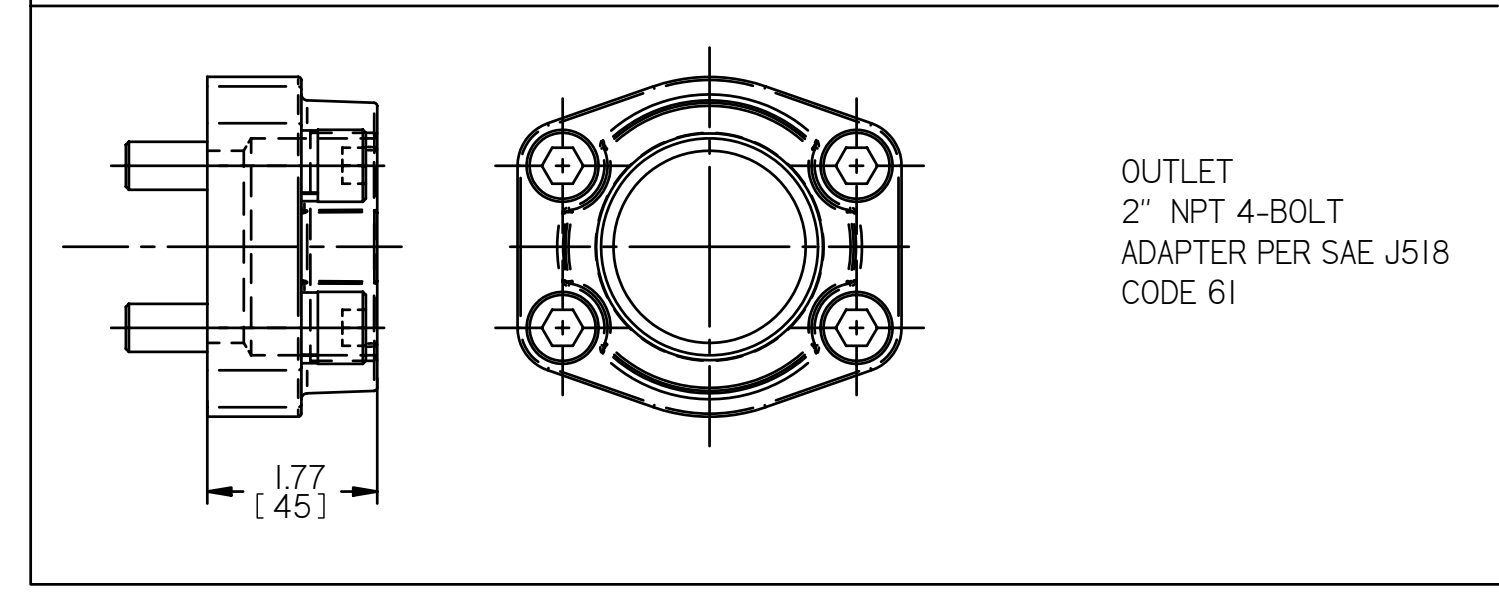
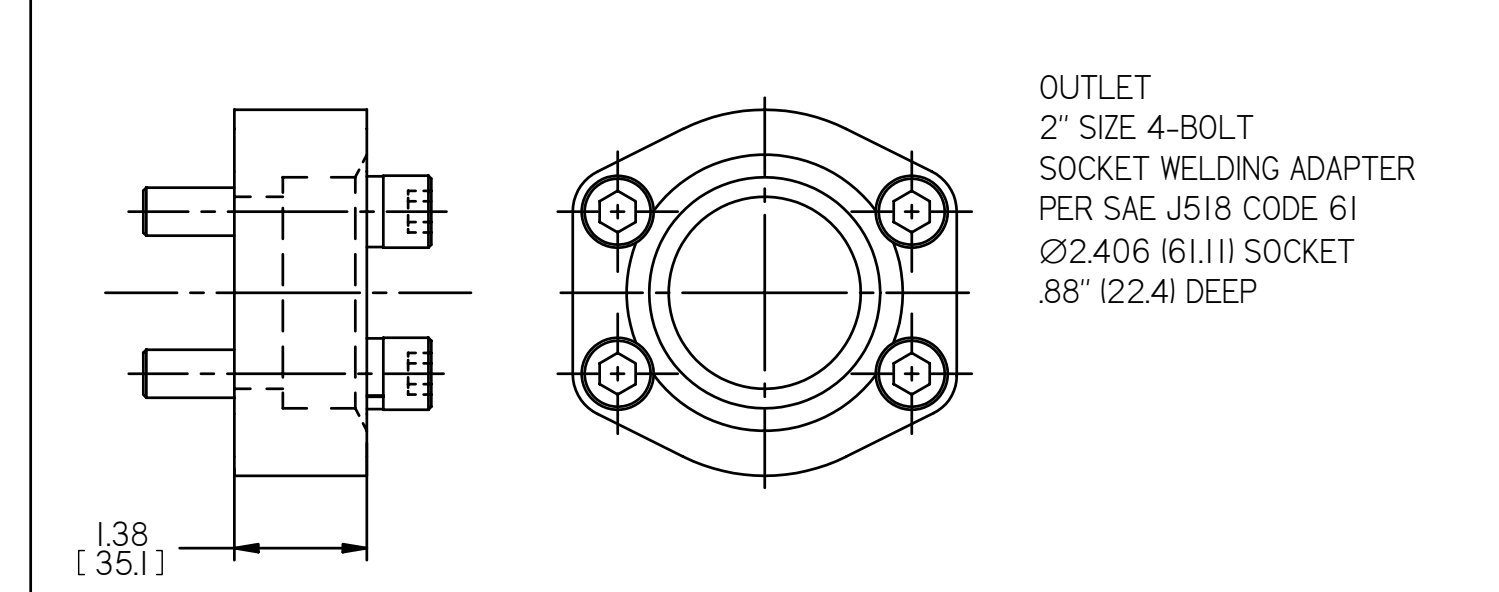
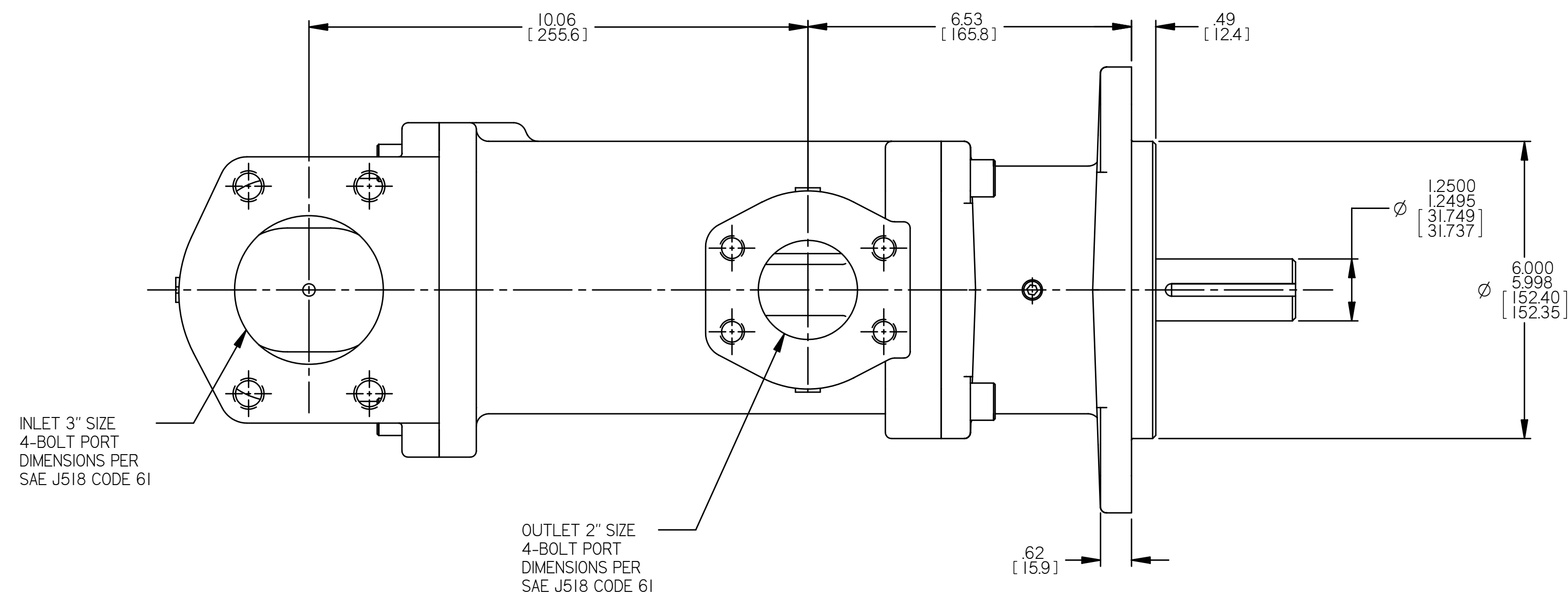
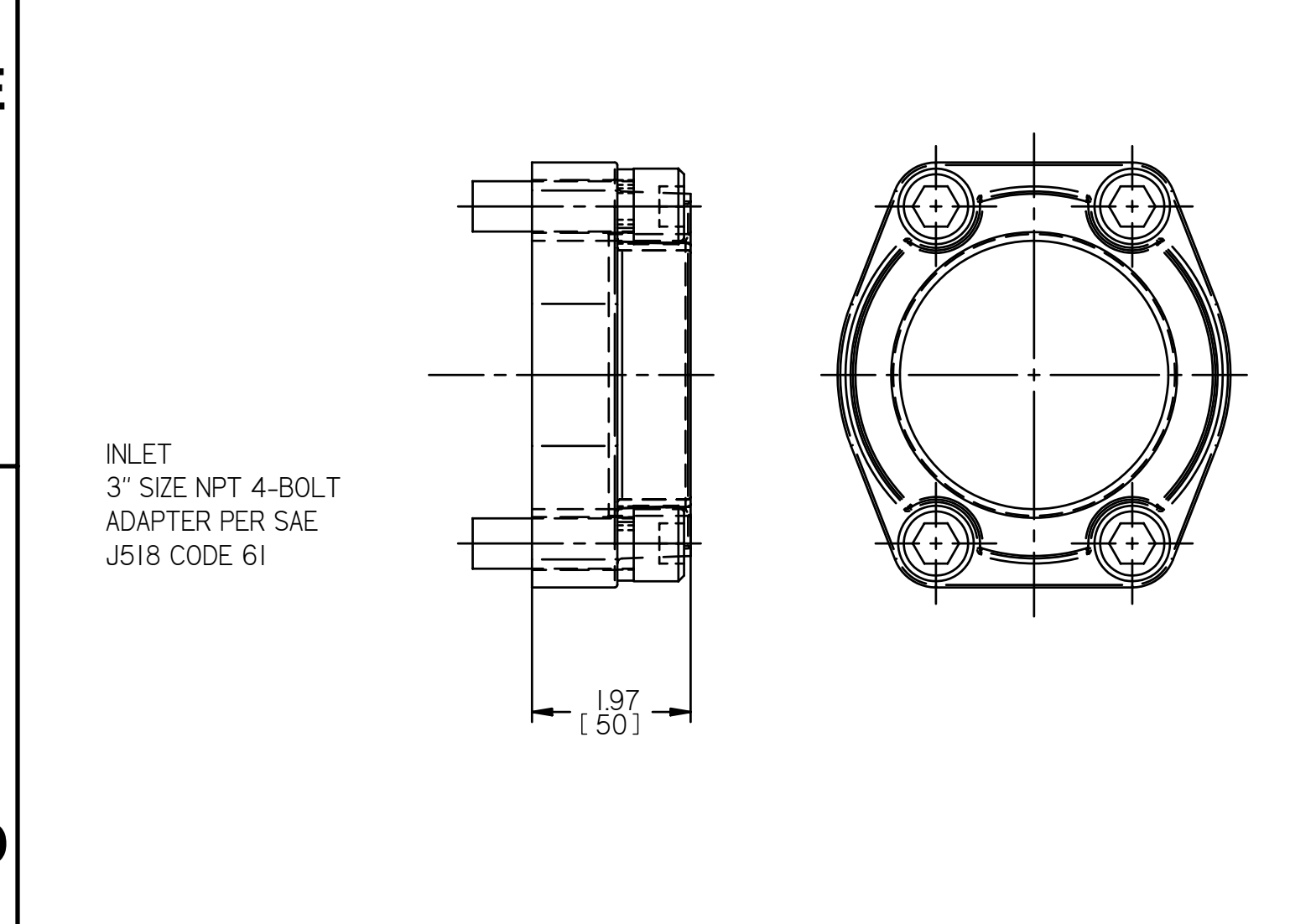
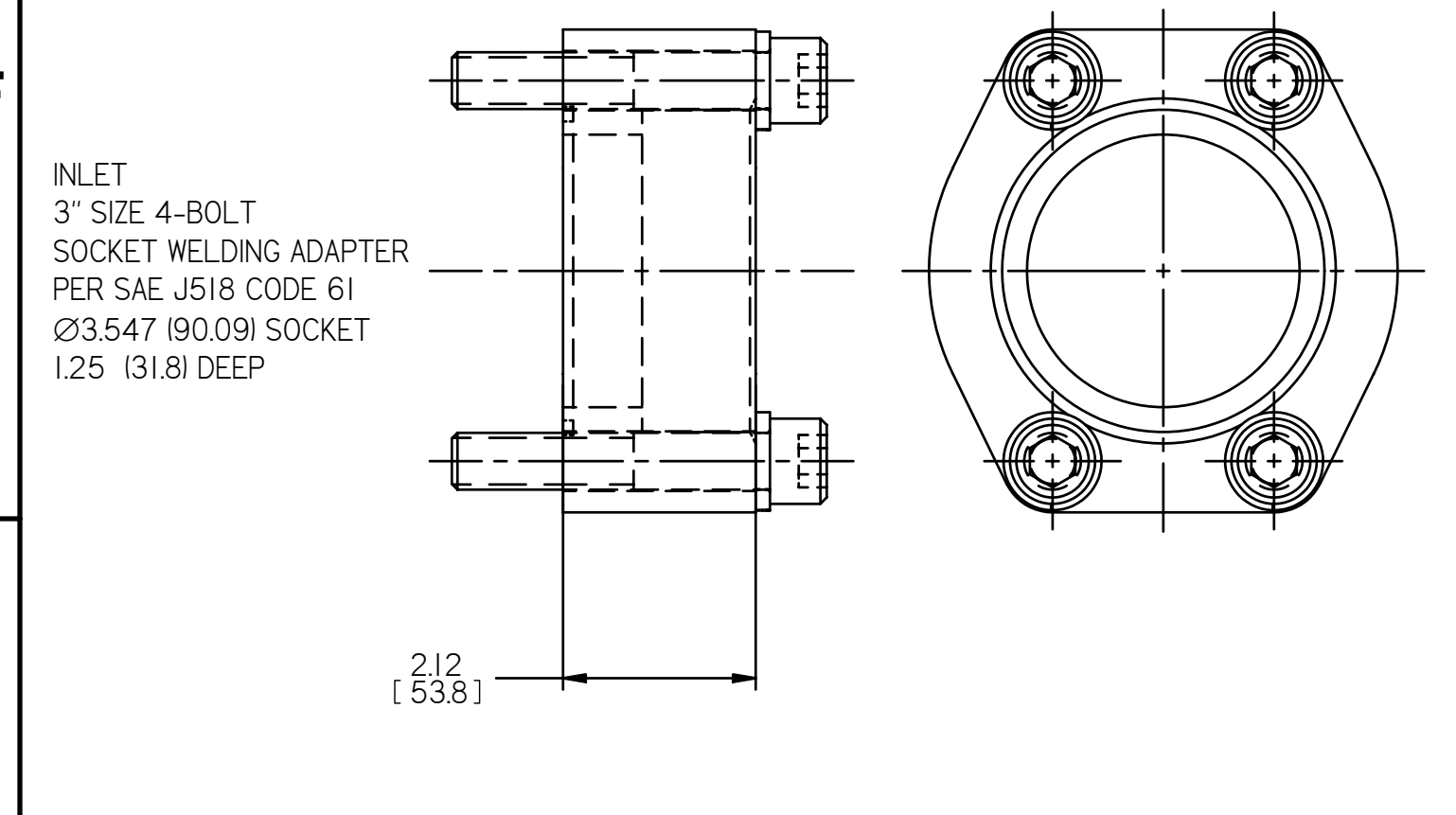
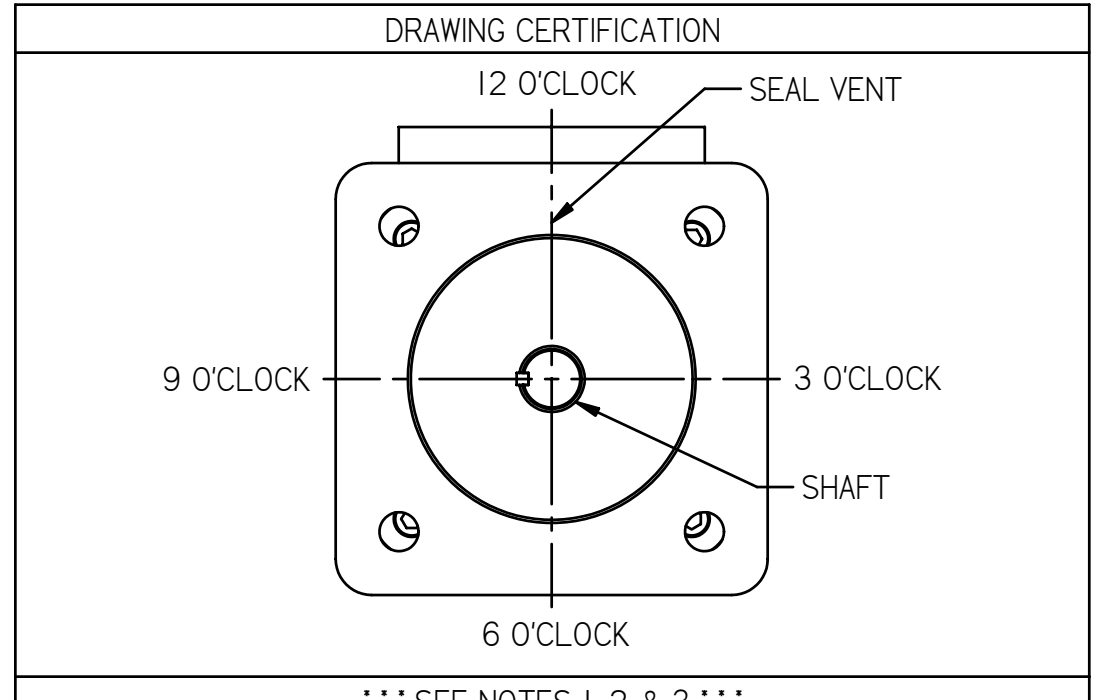
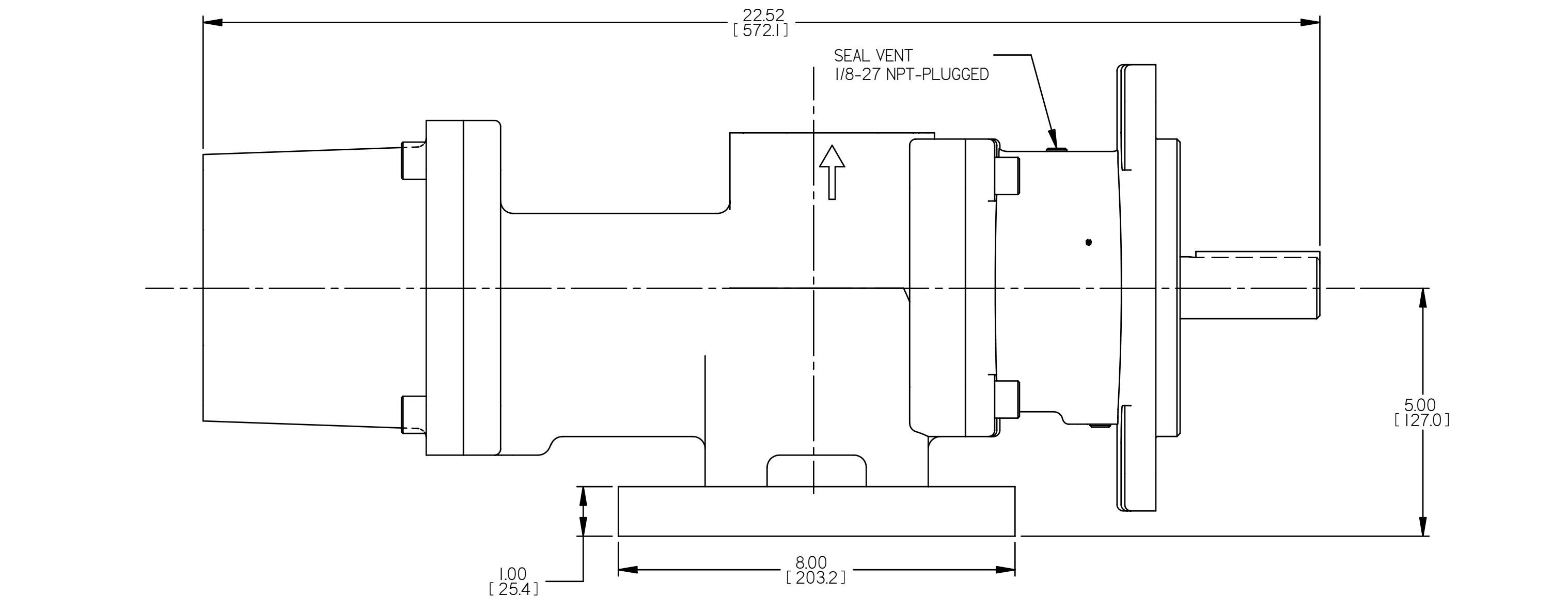
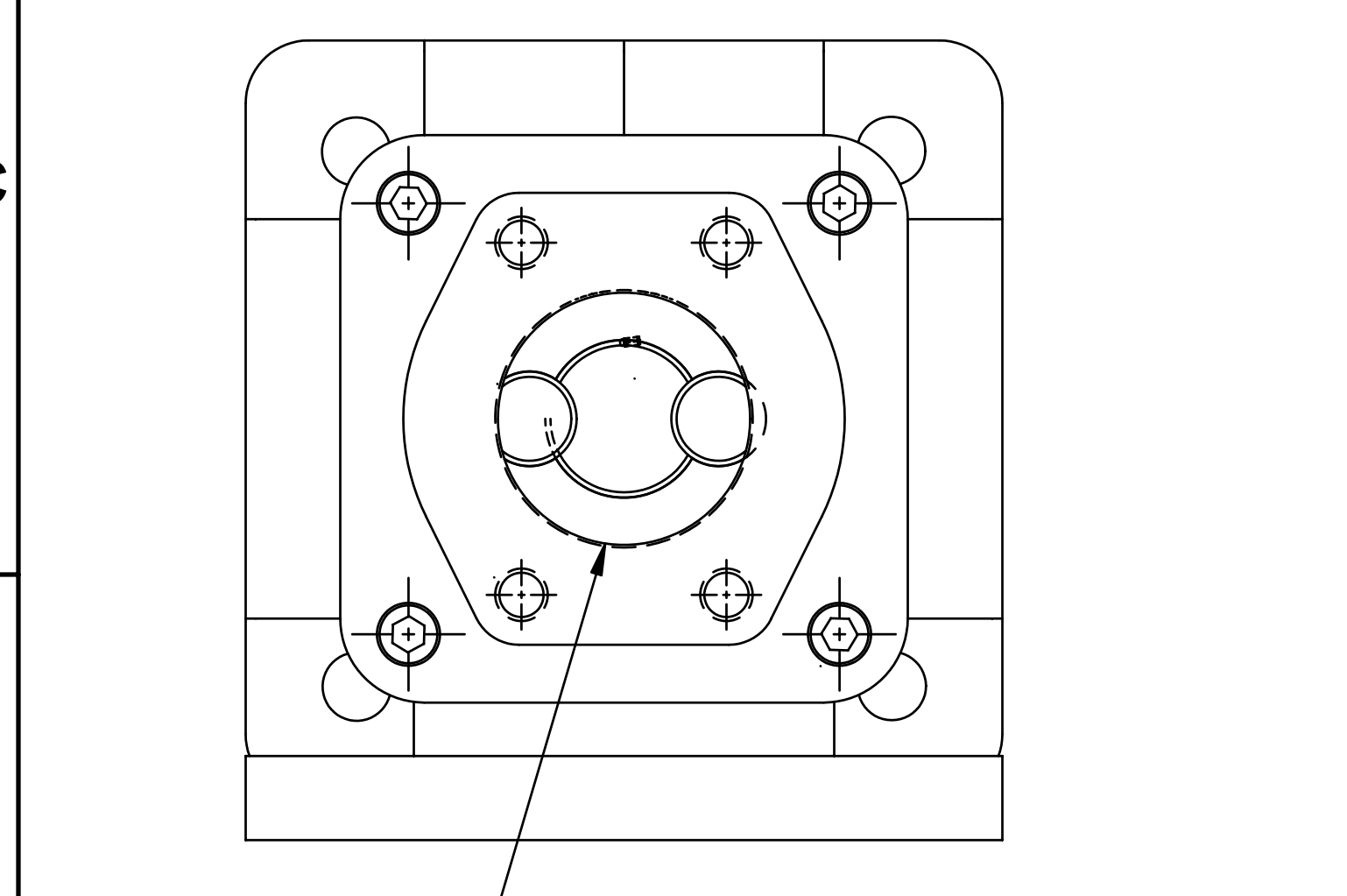


| REVISION HISTORY |      |     |                                   |          |               |
|------------------|------|-----|-----------------------------------|----------|---------------|
| CHG NO           | ZONE | REV | DESCRIPTION                       | DATE     | BY / APPROVED |
| 05-0531          | ALL  | 05  | REVISED TABLES                    | 12-12-05 | ERH / ERH     |
| 06-0052          | D6   | 06  | ADDED 3X 1/8-27 NPT DRAIN CALLOUT | 02-02-06 | BMR / BMR     |



VIEWS FOR ALTERNATIVE AXIAL INLET, FOOT MOUNT, AND WEEP HOLE



INLET:  
 FX= 225 LBF [1000 N] MX= 375 LB FT [508 N·m]  
 FY= 225 LBF [1000 N] MY= 375 LB FT [508 N·m]  
 FZ= 225 LBF [1000 N] MZ= 375 LB FT [508 N·m]

OUTLET:  
 FX= 150 LBF [667 N] MX= 250 LB FT [339 N·m]  
 FY= 150 LBF [667 N] MY= 250 LB FT [339 N·m]  
 FZ= 150 LBF [667 N] MZ= 250 LB FT [329 N·m]

FORCE AND MOMENT VALUES ARE RELATIVE TO CENTER OF INLET AND OUTLET PORT FACES.

\*\*\* SEE NOTES 1, 2, & 3 \*\*\*

CUSTOMER NAME:

CUSTOMER PURCHASE ORDER NUMBER:

CUSTOMER PART NUMBER:

BILL OF MATERIAL NUMBER:

PUMP TYPE:

SHAFT ROTATION:

INLET PORT ORIENTATION:

OUTLET PORT ORIENTATION:

FOOT BRACKET ORIENTATION:

INLET PORT OPTION:

INLET ADAPTER OPTION:

OUTLET ADAPTER OPTION:

RELIEF VALVE SET PRESSURE:

IF APPLICABLE

OTHER INFORMATION

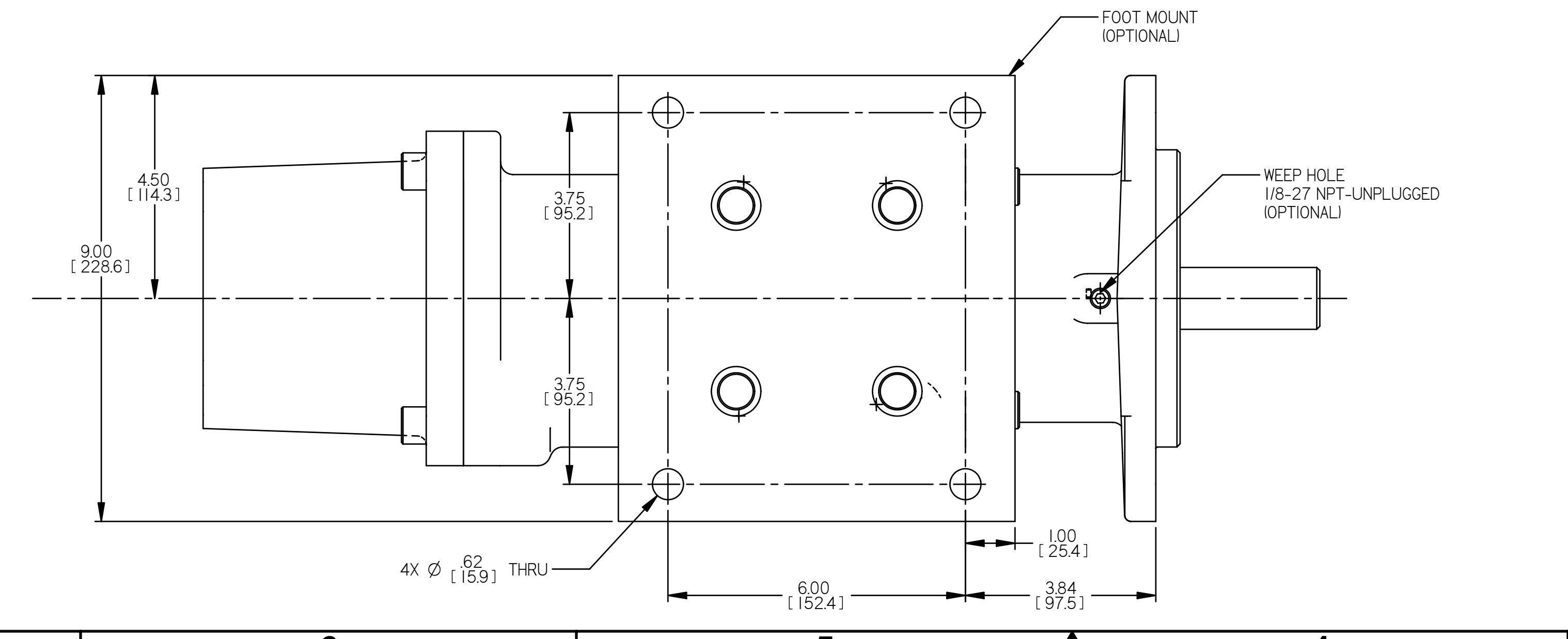
CERTIFIED BY:

CERTIFIED DATE:

IMO ORDER NUMBER:

DATA REVISION NUMBER:

- NOTES:
- TO MAXIMIZE SEAL LIFE, SEAL VENT MUST BE ORIENTED UPWARD (12 O'CLOCK) WHEN PUMP IS INSTALLED HORIZONTALLY. VENT ORIENTATION IS NOT CRITICAL WHEN PUMP IS INSTALLED WITH SHAFT VERTICALLY UPWARD.
  - PORT, FOOT, AND SEAL VENT ORIENTATIONS ARE SUPPLIED AS SHOWN ON DRAWING UNLESS OTHERWISE SPECIFIED
  - ALTERNATE PORT AND FOOT ORIENTATIONS ARE PROVIDED IF SPECIFIED ON ORDER. AVAILABLE ORIENTATIONS ARE 3, 6, 9, AND 12 O'CLOCK.
  - BOLT PATTERN FOR SAE 4-BOLT AXIAL INLET IS ALWAYS ORIENTED AS SHOWN WITH RESPECT TO OUTLET PORT.
  - APPROXIMATE PUMP WEIGHT (WITHOUT ADAPTERS)  
 FLANGE MOUNT PUMP-----155 LBS. [70.3 kgs]  
 FOOT MOUNT PUMP-----175 LBS. [79.4 kgs]
  - UNLESS OTHERWISE SPECIFIED, ALL DIMENSIONS ARE IN INCHES. DIMENSIONS IN [ ] ARE MILLIMETERS



UNLESS OTHERWISE SPECIFIED  
 ANSI Y14.8M-1994

EDMOUNTS:  
 SECTION STRAINER AND DISCHARGE RELIEF VALVE MUST BE PROVIDED  
 ALIGNMENT:  
 IMPS ARE ACCURATELY ALIGNED AT THE FACTORY. ALIGNMENT SHOULD BE CHECKED BEFORE STARTING TO INSURE THAT IT IS STILL WITHIN TOL.  
 (0.031MM)  
 PRECAUTIONS:  
 FLUSH SUCTION PIPING BEFORE CONNECTING PUMP. PRIME AND VENT PUMP. READ INSTRUCTION MANUAL FOR DETAILS BEFORE STARTING.

|          |             |          |  |   |
|----------|-------------|----------|--|---|
| DRAWN    | VÄH         | 8-21-01  |  | <b>Imo Pump</b><br>1710 Airport Road<br>PO Box 5020<br>Monroe, NC USA<br>28111-5020 |
| CHECKED  | DMM         | 11-12-01 |  |   |
| APPROVED | BES         | 11-21-01 |  |   |
| TITLE    | CAGE CODE   | DWG NO   | <b>OUTLINE STANDARD (STEEL)</b><br><b>AA3G/_S_ [187&amp;200]</b> |   |
| REVISED  | FIRST ORDER | SIZE     | <b>F</b> 59180   | <b>SDD19981</b>   |
| USED ON  | E1109A      | SCALE    | 1/2  | WEIGHT SEE NOTE 5 SHEET 1 OF 1  |