

INLET:
 FX=37.5 LBF [167 N] MX=62.5 LB FT [84.7 N·m]
 FY=37.5 LBF [167 N] MY=62.5 LB FT [84.7 N·m]
 FZ=37.5 LBF [167 N] MZ=62.5 LB FT [84.7 N·m]

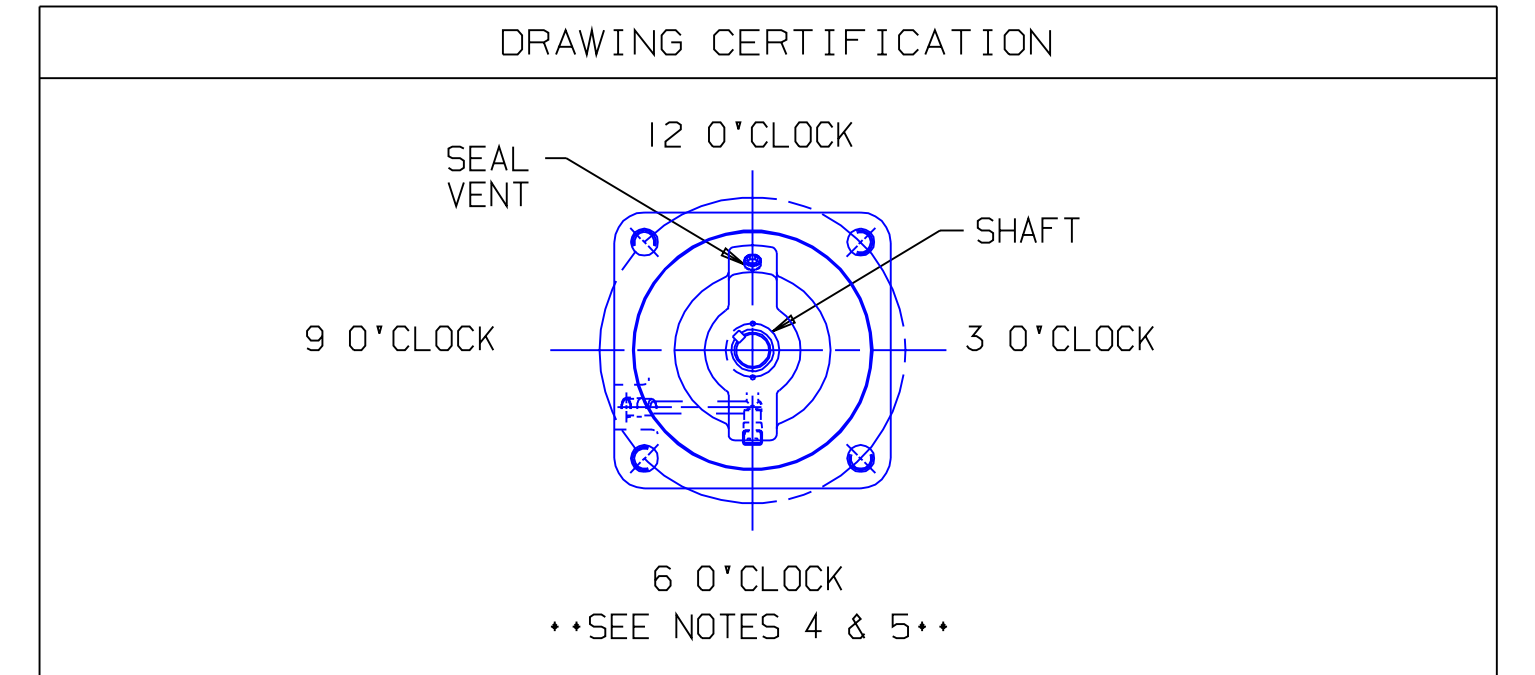
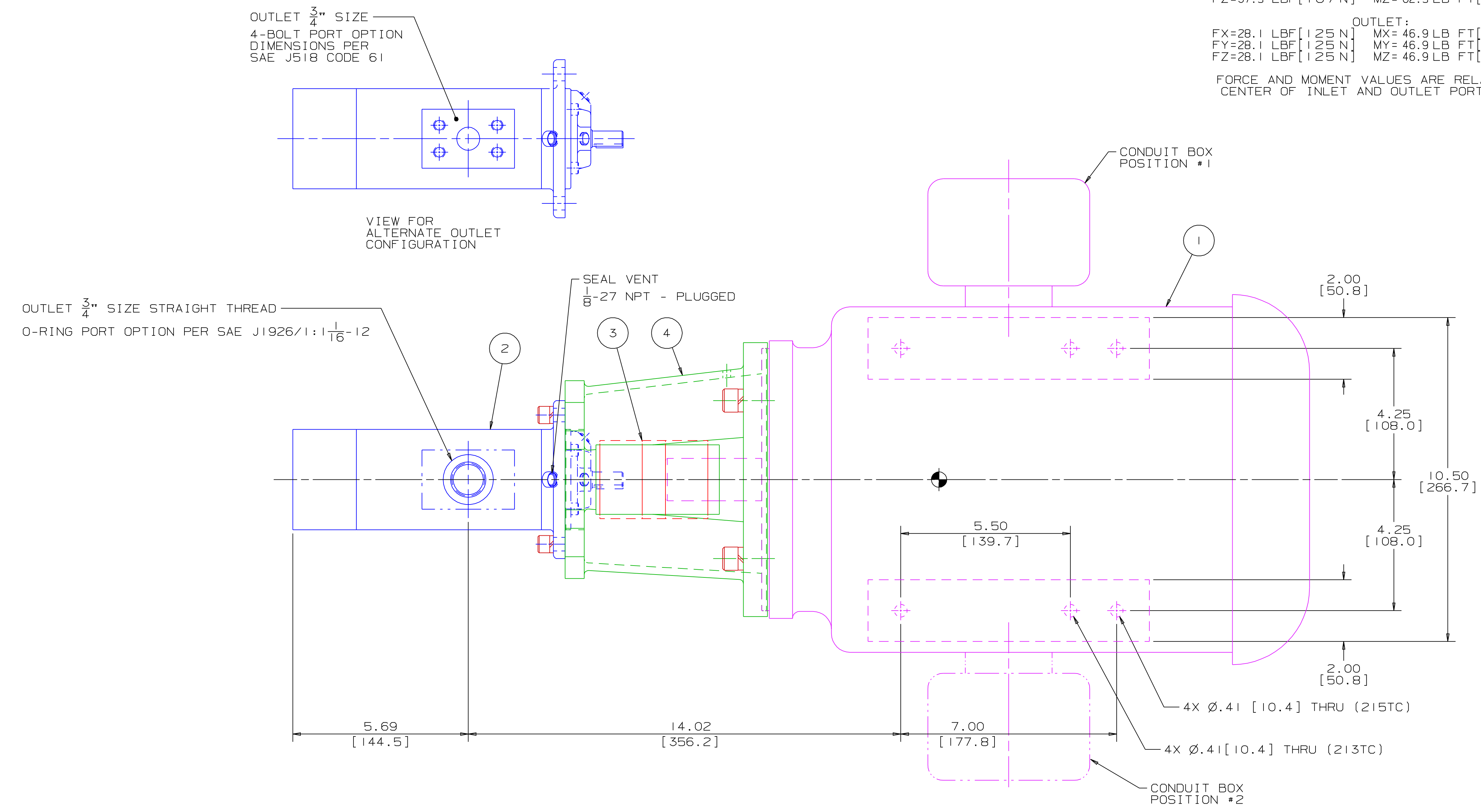
OUTLET:
 FX=28.1 LBF [125 N] MX=46.9 LB FT [63.6 N·m]
 FY=28.1 LBF [125 N] MY=46.9 LB FT [63.6 N·m]
 FZ=28.1 LBF [125 N] MZ=46.9 LB FT [63.6 N·m]

FORCE AND MOMENT VALUES ARE RELATIVE TO CENTER OF INLET AND OUTLET PORT FACES.

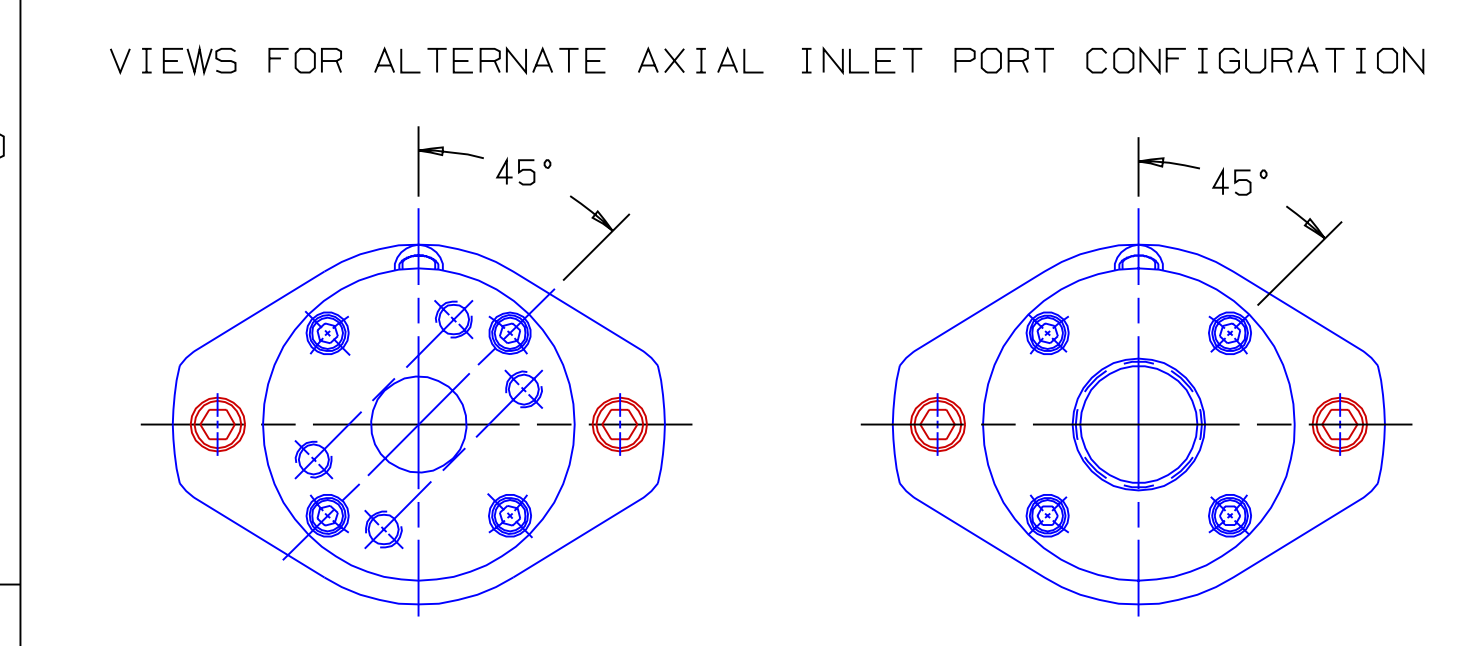
REVISION HISTORY					
CHG NO	ZONE	REV	DESCRIPTION	DATE	BY / APPROVED

ITEM	DESCRIPTION	APPROXIMATE WEIGHT		MATERIAL
		LBS	KILOGRAMS	
1	MOTOR *(213TC & 215TC)	190.0	86.2	
2	PUMP	18.0	8.2	
3	COUPLING, LOVEJOY L-100	3.5	1.6	
4	BRACKET	5.0	2.3	ALUMINUM
TOTAL		216.5	98.3	

* DRIVER DIMENSIONS MAY VARY WITH TYPE AND MAKE OF DRIVER

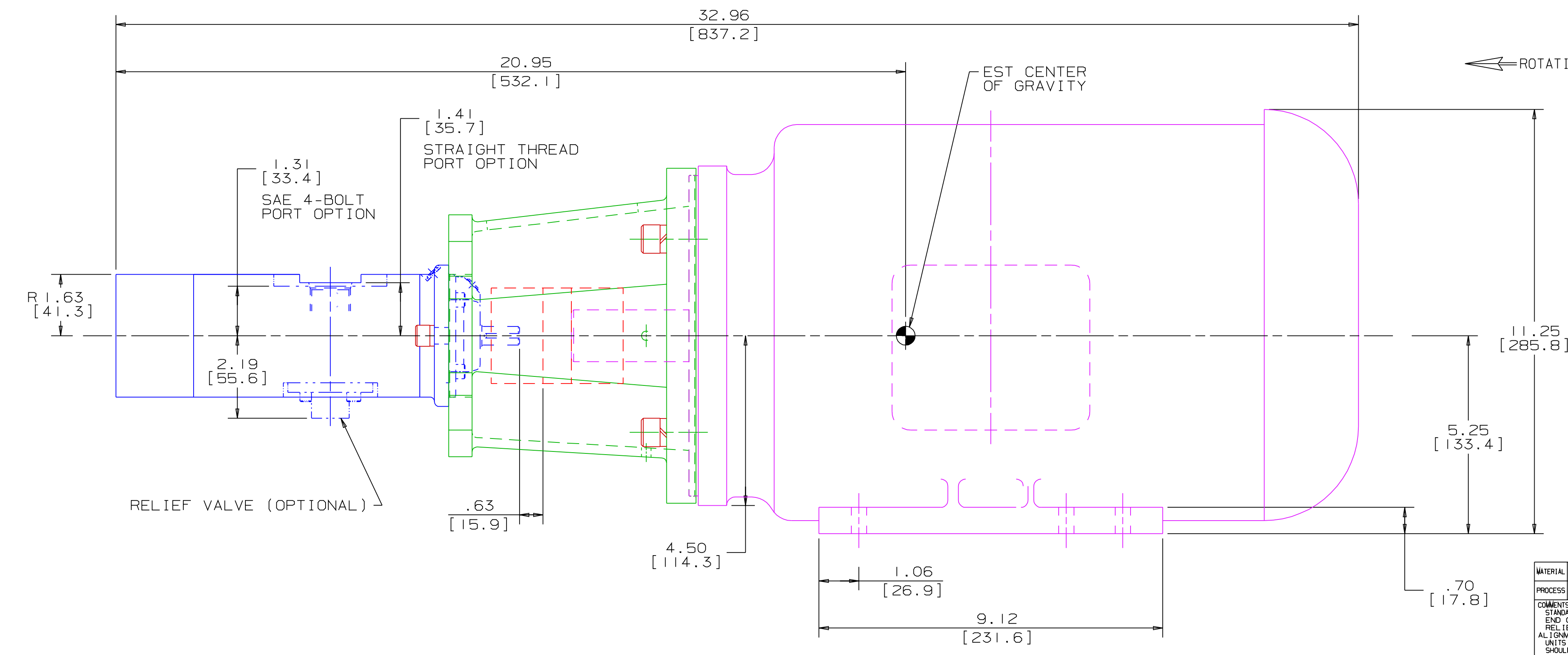


CUSTOMER NAME -----
CUSTOMER PO NUMBER -----
CUSTOMER PART NUMBER -----
UNIT BOM NUMBER -----
PUMP TYPE -----
SHAFT ROTATION -----
INLET PORT OPTION -----
OUTLET PORT OPTION -----
INLET PORT ORIENTATION -----
OUTLET PORT ORIENTATION -----
INLET ADAPTER OPTION -----
OUTLET ADAPTER OPTION -----
RELIEF VALVE SET PRESSURE, IF APPLICABLE -----
MOTOR MANUFACTURER -----
TYPE -----
FRAME -----
POWER -----
ROTATING SPEED -----
PHASE(S) -----
FREQUENCY -----
VOLTAGE -----
CONDUIT BOX POSITION -----
MOTOR INSTALLED BY -----
CERTIFIED BY -----
IMO ORDER NUMBER -----
CERTIFICATION DATE -----
CERTIFICATION REV. NO. -----



END VIEW INLET 1" SIZE 4-BOLT PORT OPTION DIMENSIONS PER SAE J518 CODE 61

END VIEW INLET 1" SIZE STRAIGHT THREAD O-RING PORT OPTION PER SAE J1926/1:1 1/16-12



- NOTES:
- UNLESS OTHERWISE SPECIFIED, ALL DIMENSIONS ARE IN INCHES. DIMENSIONS IN [] ARE MILLIMETERS.
 - THIS IS A STANDARD PRE-ENGINEERED UNIT OUTLINE. ANY CHANGES OUTSIDE OF THE CERTIFICATION BLOCK WILL REQUIRE A NEW DRAWING ASSIGNMENT.
 - APPROXIMATE WEIGHT AND ESTIMATED C/G DO NOT INCLUDE OPTIONAL ADAPTERS OR OPTIONAL RELIEF VALVE.
 - TO MAXIMIZE SEAL LIFE, SEAL VENT MUST BE ORIENTED UPWARD (12 O'CLOCK) WHEN PUMP IS INSTALLED HORIZONTALLY. VENT ORIENTATION IS NOT CRITICAL WHEN PUMP IS INSTALLED WITH SHAFT VERTICALLY UPWARD.
 - ALTERNATE PORT ORIENTATIONS ARE PROVIDED IF SPECIFIED ON ORDER. AVAILABLE ORIENTATIONS ARE 3,6,9, AND 12 O'CLOCK.

WEB ADDRESS: WWW.IMO-PUMP.COM		EMAIL: IMO.PUMP@COLFAXCORP.COM	
DRAWN	DMM 10-15-01	<p>IMO Pump 1710 Airport Road PO Box 5020 Monroe, NC USA 28111.5020</p>	<p>TITLE OUTLINE UNIT STANDARD (IRON) AA3G / 095</p>
CHECKED	DMM 10-15-01		
APPD	DMM 10-15-01		
PROCESS		<p>NO. INLET CONNECTION</p> <p>FIRST ORDER</p> <p>SIZE</p> <p>CAGE CODE</p> <p>DWG NO</p> <p>SCALE 1/2</p> <p>WEIGHT SEE ABOVE</p> <p>SHEET 1 OF 1</p>	

IRON 3G-095 UNIT