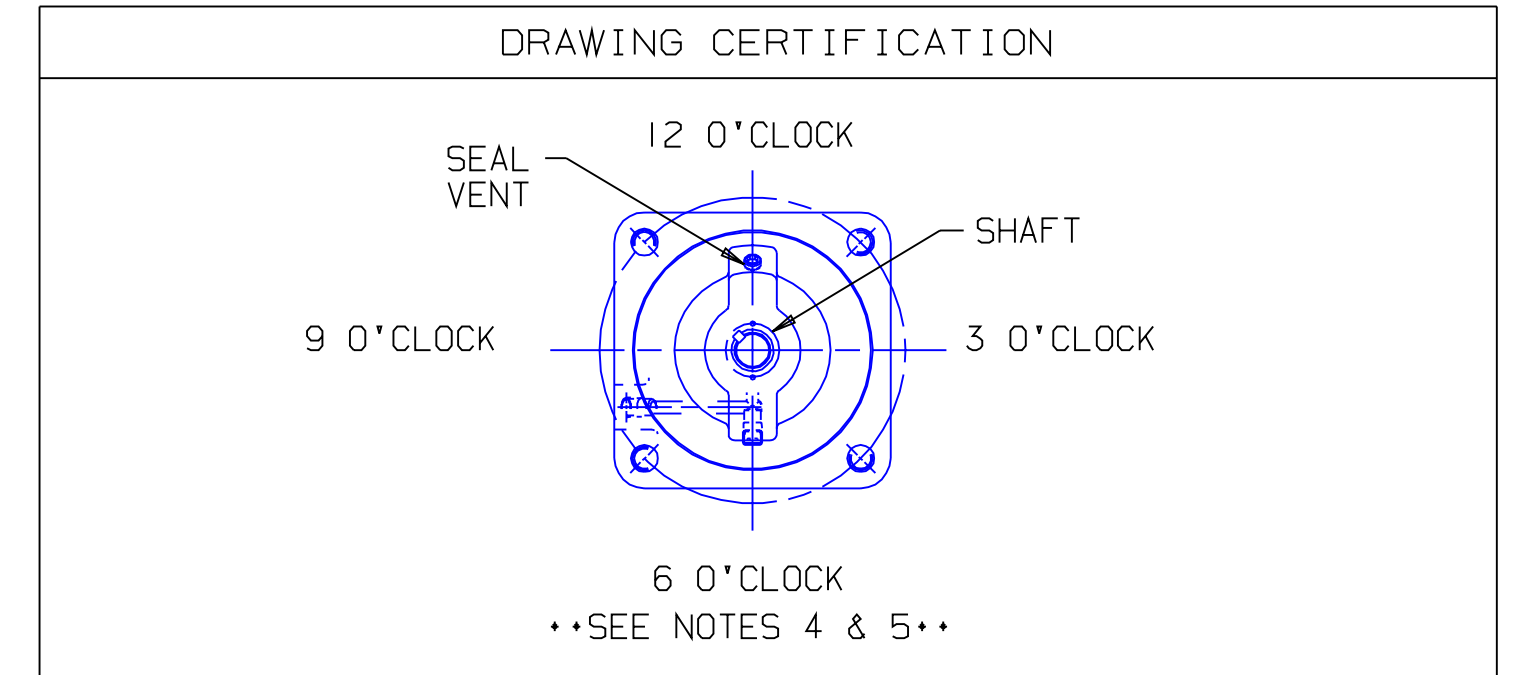
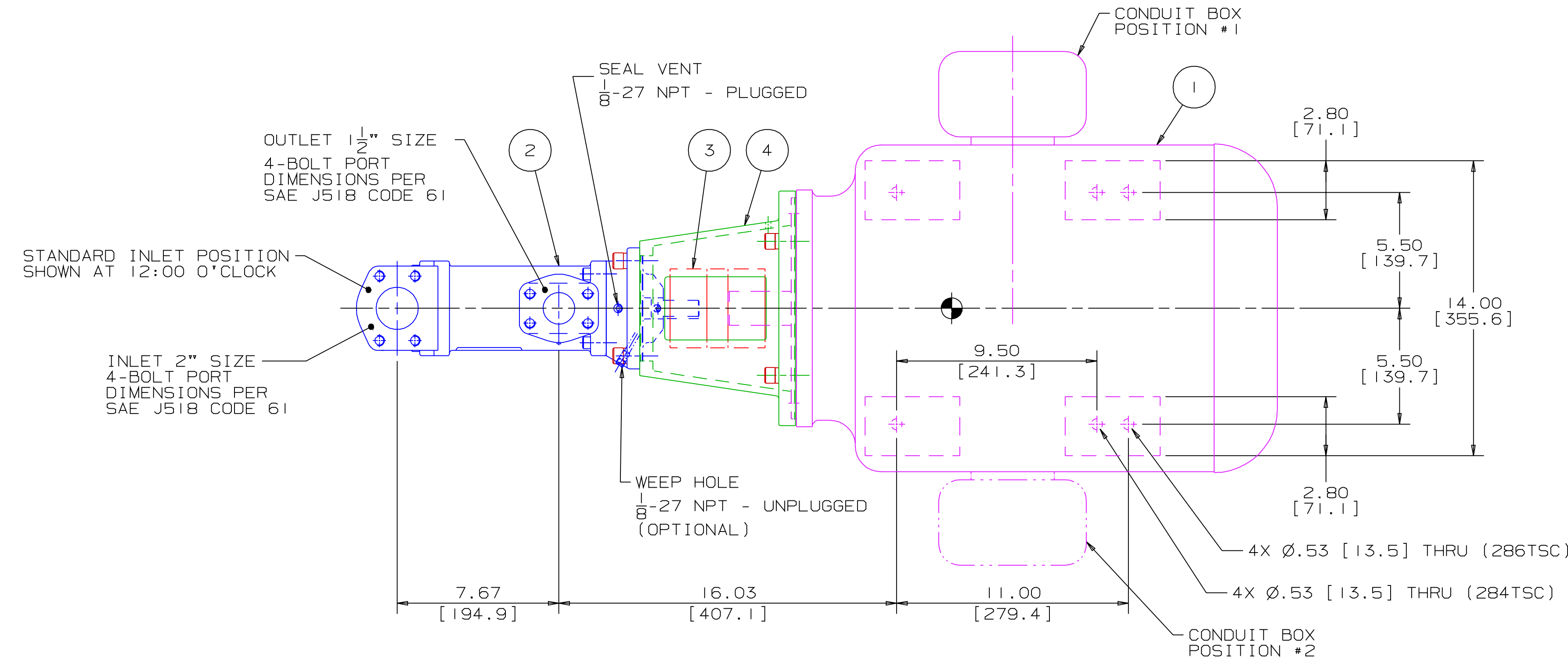


CHG NO	ZONE	REV	DESCRIPTION	DATE	BY	APPROVED
02-0177	F	1	CHANGED COUPLING CALLOUT, WAS L110	5-29-02	ERH	ERH

ITEM	DESCRIPTION	APPROXIMATE WEIGHT		MATERIAL
		LBS	KG	
1	MOTOR (2B4TSC & 2B6TSC)	328.0	148.8	
2	PUMP	44.0	20.0	
3	COUPLING, LOVEJOY L-150	8.0	3.6	
4	BRACKET	9.0	4.1	ALUMINUM
TOTAL		389.0	176.5	

DRIVER DIMENSIONS MAY VARY WITH TYPE AND MAKE OF DRIVER.



CUSTOMER NAME -----

CUSTOMER PO NUMBER -----

CUSTOMER PART NUMBER -----

UNIT BOM NUMBER -----

PUMP  
 PUMP TYPE -----  
 SHAFT ROTATION -----  
 INLET PORT ORIENTATION -----  
 OUTLET PORT ORIENTATION -----  
 INLET ADAPTER OPTION -----  
 OUTLET ADAPTER OPTION -----

MOTOR  
 MOTOR MANUFACTURER -----  
 TYPE -----  
 FRAME -----  
 POWER -----  
 ROTATING SPEED -----  
 PHASE(S) -----  
 FREQUENCY -----  
 VOLTAGE -----  
 CONDUIT BOX POSITION -----  
 MOTOR INSTALLED BY -----

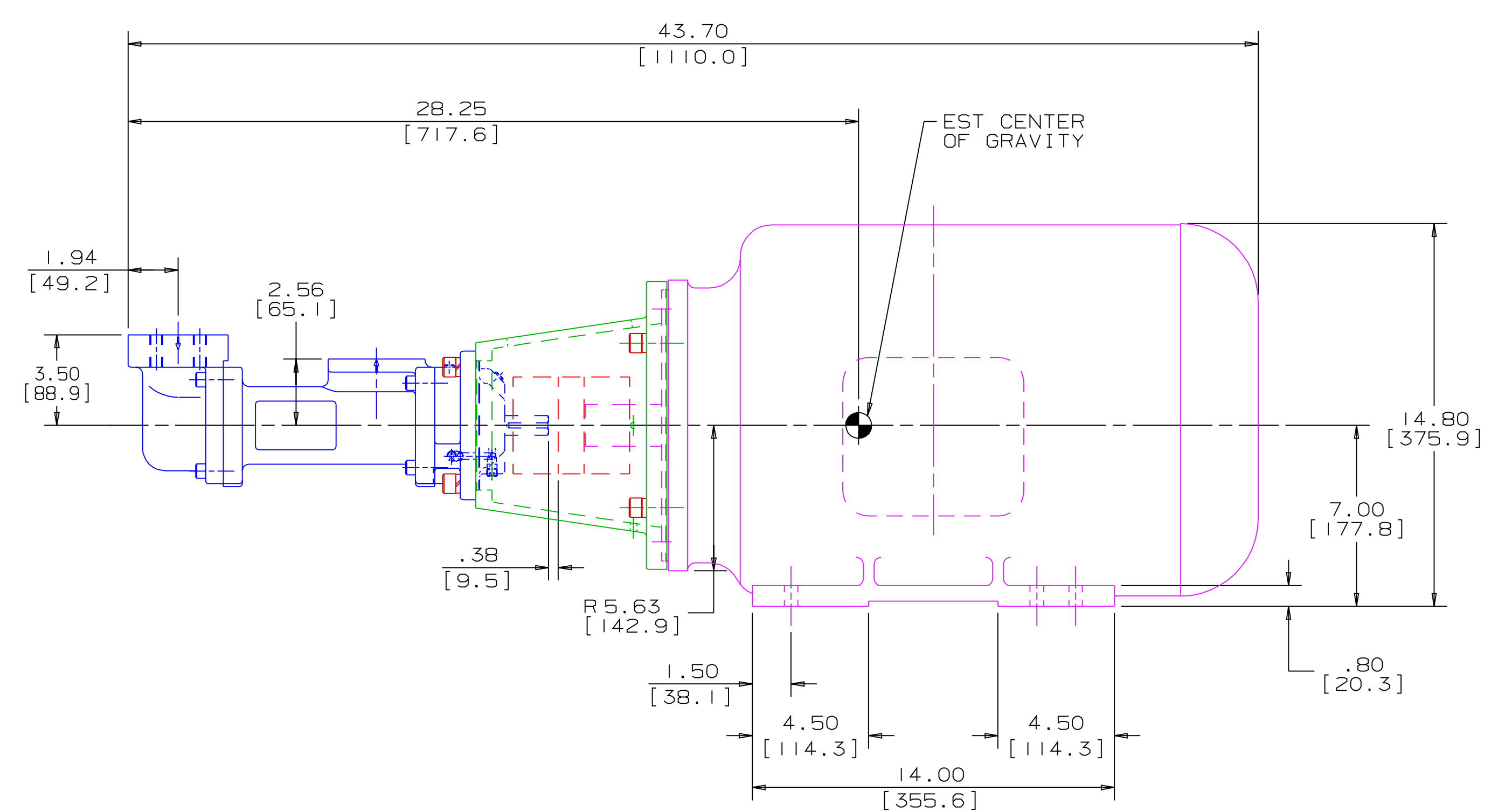
CERTIFIED BY -----

IMO ORDER NUMBER -----

CERTIFICATION DATE -----

CERTIFICATION REV. NO. -----

NOTES:



- NOTES:
- UNLESS OTHERWISE SPECIFIED, ALL DIMENSIONS ARE IN INCHES. DIMENSIONS IN ( ) ARE MILLIMETERS.
  - THIS IS A STANDARD PRE-ENGINEERED UNIT OUTLINE. ANY CHANGES OUTSIDE OF THE CERTIFICATION BLOCK WILL REQUIRE A NEW DRAWING ASSIGNMENT.
  - APPROXIMATE WEIGHT AND ESTIMATED C/G DO NOT INCLUDE OPTIONAL ADAPTERS OR OPTIONAL RELIEF VALVE.
  - TO MAXIMIZE SEAL LIFE, SEAL VENT MUST BE ORIENTED UPWARD (12 O'CLOCK) WHEN PUMP IS INSTALLED HORIZONTALLY. VENT ORIENTATION IS NOT CRITICAL WHEN PUMP IS INSTALLED WITH SHAFT VERTICALLY UPWARD.
  - ALTERNATE PORT ORIENTATIONS ARE PROVIDED IF SPECIFIED ON ORDER. AVAILABLE ORIENTATIONS ARE 3,6,9, AND 12 O'CLOCK.

WEB ADDRESS: WWW.IMO-PUMP.COM    EMAIL: IMO.PUMP@COLFAXCORP.COM

DRAWN	DMM	10-9-01
CHECKED	DMM	10-12-01
APPD	DMM	10-12-01
PROCESS		

Imo Pump  
1710 Airport Road  
PO Box 5020  
Monroe, NC USA  
28111.5020

TITLE  
OUTLINE UNIT STANDARD (STEEL)  
AA3G / --- S --- 143 / 162 ---

SIZE  
CAGE CODE  
DWG NO  
59180  
SDD20271

SCALE  
1/4  
WEIGHT  
SEE ABOVE  
SHEET  
1 OF 1

STEEL 3G-143/162 UNIT