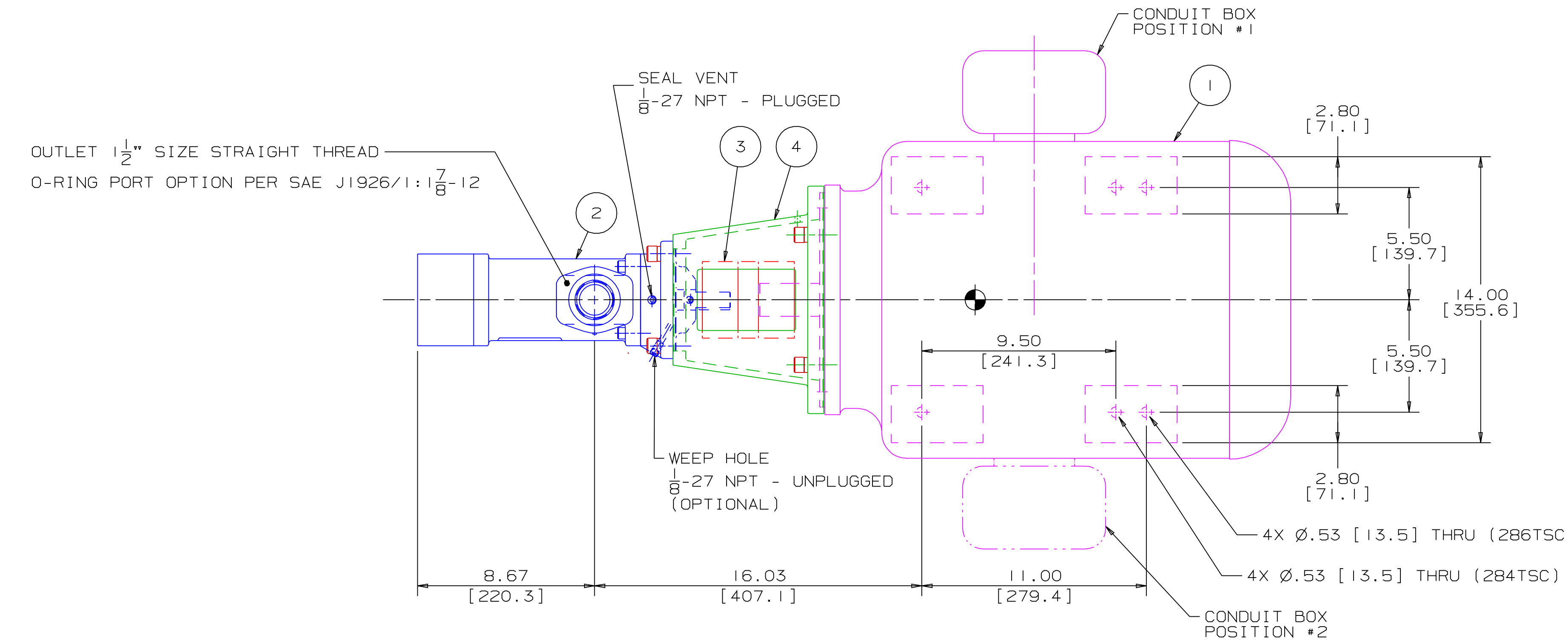
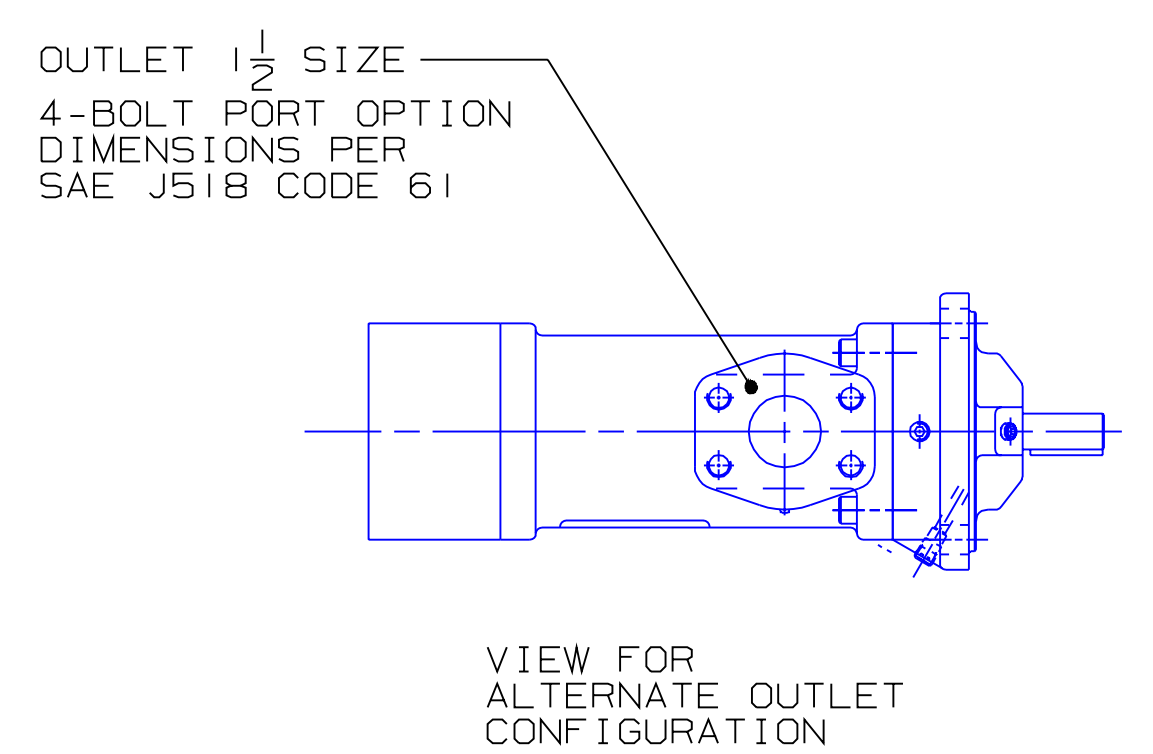


REVISION HISTORY					
CHG NO	ZONE	REV	DESCRIPTION	DATE	BY / APPROVED
02-0177	F	1	01 CHANGED COUPLING CALL OUT WAS L110	5-29-02	ERH/ERH

ITEM	DESCRIPTION	APPROXIMATE WEIGHT		MATERIAL
		LBS	KG	
1	MOTOR (2B4TSC & 2B6TSC)	328.0	148.8	
2	PUMP	4.0	20.0	
3	COUPLING, LOVEJOY L-150	8.0	3.6	
4	BRACKET	9.0	4.1	ALUMINUM
TOTAL		389.0	176.5	



DRAWING CERTIFICATION

12 O'CLOCK
9 O'CLOCK
6 O'CLOCK
3 O'CLOCK
SHAFT
SEAL VENT
••SEE NOTES 4 & 5••

CUSTOMER NAME -----
 CUSTOMER PO NUMBER -----
 CUSTOMER PART NUMBER -----

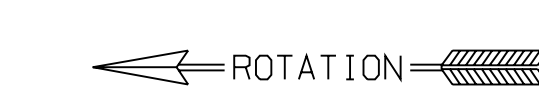
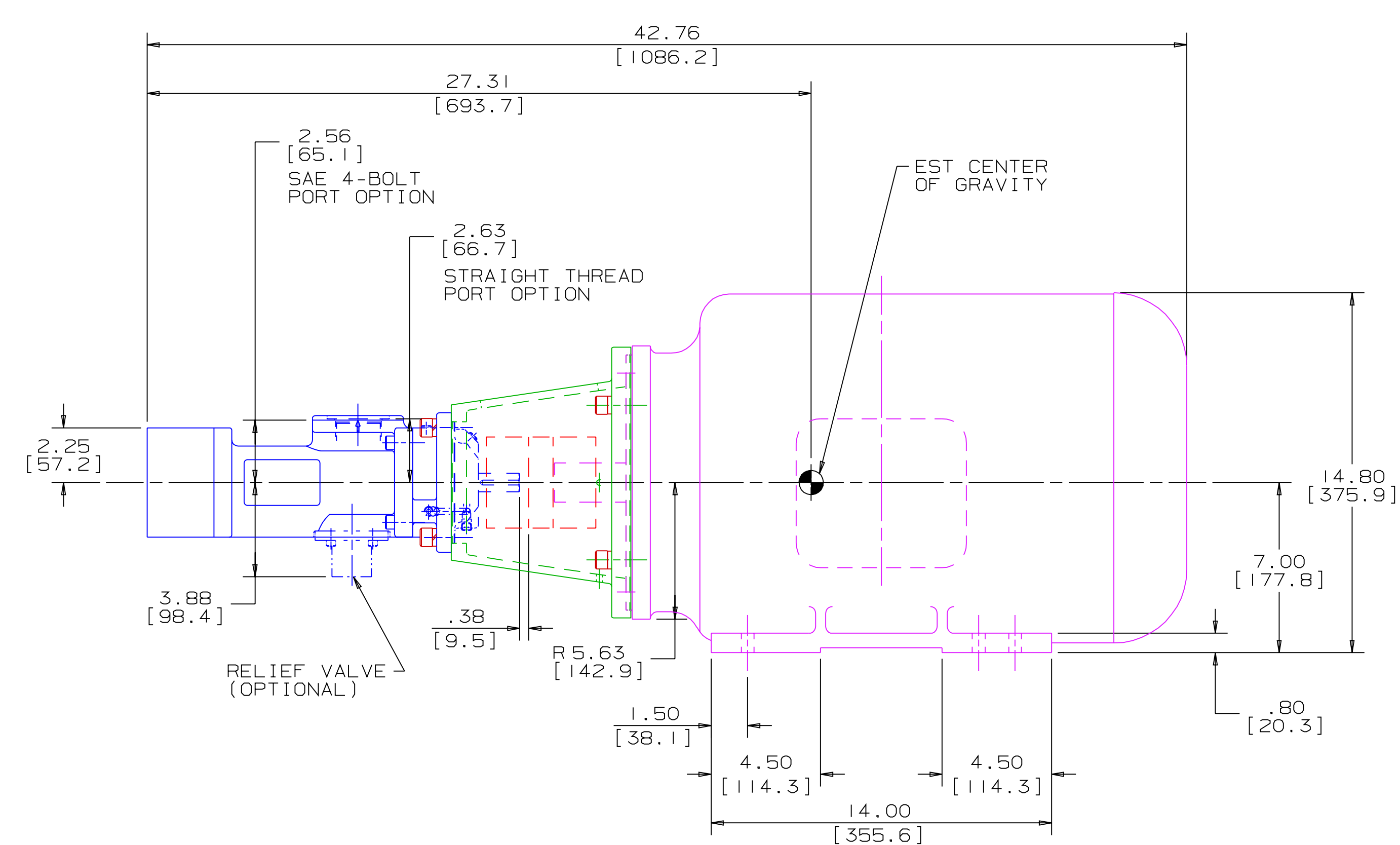
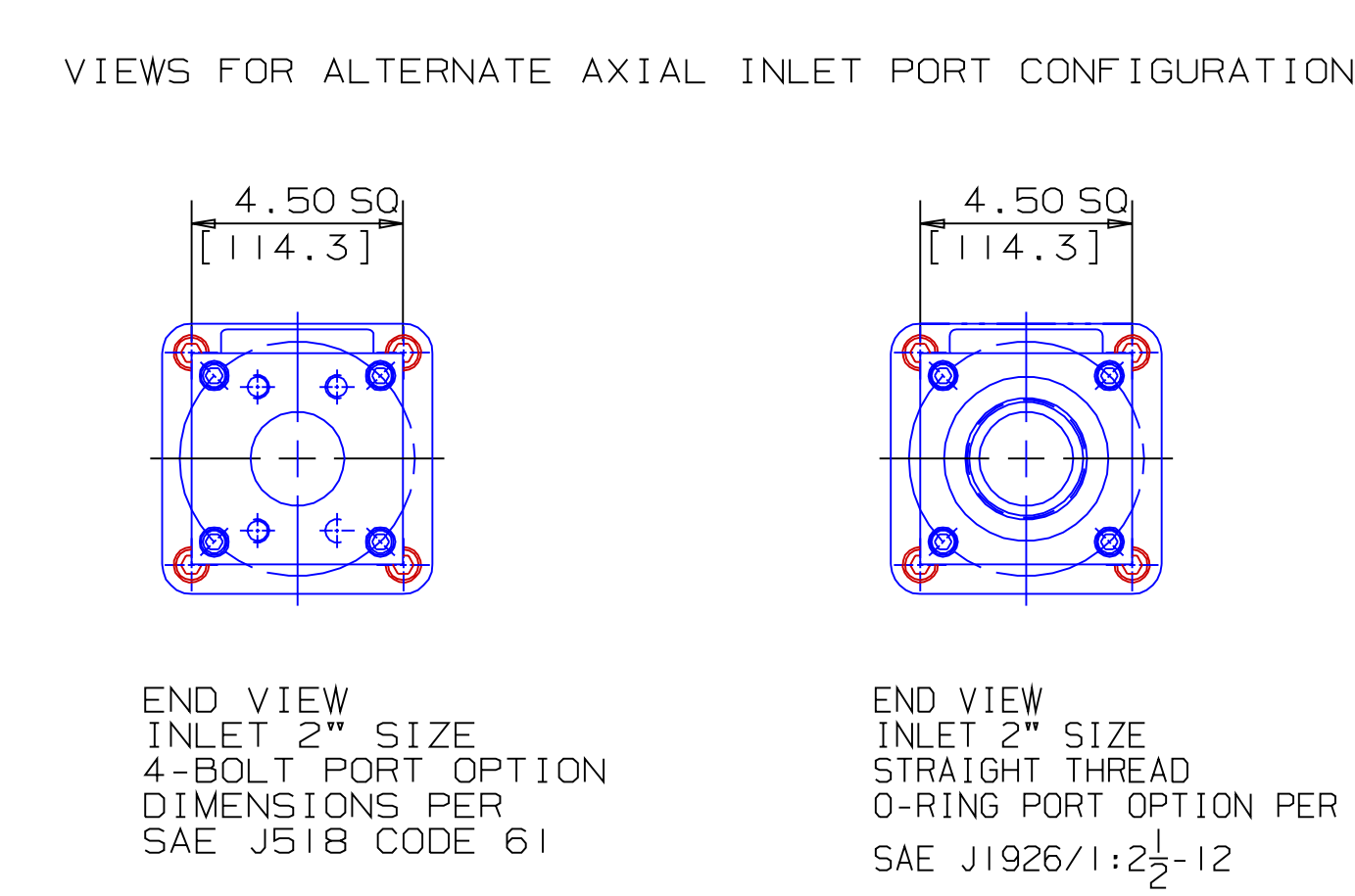
UNIT BOM NUMBER -----

PUMP
 PUMP TYPE -----
 SHAFT ROTATION -----
 INLET PORT OPTION -----
 OUTLET PORT OPTION -----
 INLET PORT ORIENTATION -----
 OUTLET PORT ORIENTATION -----
 INLET ADAPTER OPTION -----
 OUTLET ADAPTER OPTION -----
 RELIEF VALVE SET PRESSURE, IF APPLICABLE -----

MOTOR
 MOTOR MANUFACTURER -----
 TYPE -----
 FRAME -----
 POWER -----
 ROTATING SPEED -----
 PHASE(S) -----
 FREQUENCY -----
 VOLTAGE -----
 CONDUIT BOX POSITION -----
 MOTOR INSTALLED BY -----

CERTIFIED BY -----
 IMO ORDER NUMBER -----
 CERTIFICATION DATE -----
 CERTIFICATION REV. NO. -----

NOTES:



- NOTES:
- UNLESS OTHERWISE SPECIFIED, ALL DIMENSIONS ARE IN INCHES. DIMENSIONS IN [] ARE MILLIMETERS.
 - THIS IS A STANDARD PRE-ENGINEERED UNIT OUTLINE. ANY CHANGES OUTSIDE OF THE CERTIFICATION BLOCK WILL REQUIRE A NEW DRAWING ASSIGNMENT.
 - APPROXIMATE WEIGHT AND ESTIMATED C/G DO NOT INCLUDE OPTIONAL ADAPTERS OR OPTIONAL RELIEF VALVE.
 - TO MAXIMIZE SEAL LIFE, SEAL VENT MUST BE ORIENTED UPWARD (12 O'CLOCK) WHEN PUMP IS INSTALLED HORIZONTALLY. VENT ORIENTATION IS NOT CRITICAL WHEN PUMP IS INSTALLED WITH SHAFT VERTICALLY UPWARD.
 - ALTERNATE PORT ORIENTATIONS ARE PROVIDED IF SPECIFIED ON ORDER. AVAILABLE ORIENTATIONS ARE 3,6,9, AND 12 O'CLOCK.

WEB ADDRESS: WWW.IMO-PUMP.COM EMAIL: IMO.PUMP@COLFAXCORP.COM

DRAWN	DMM	10-3-01
CHECKED	DMM	10-12-01
APPD	DMM	10-12-01
METHODS		

Imo Pump
 1710 Airport Road
 PO Box 5020
 Monroe, NC USA
 28111.5020

TITLE: OUTLINE UNIT STANDARD (IRON)
 AA3G / 143 / 162

SIZE	CAGE CODE	DWG NO
F	59180	SDD20270
SCALE	1/4	WEIGHT SEE ABOVE SHEET 1 OF 1

IRON 3G-143/162 UNIT