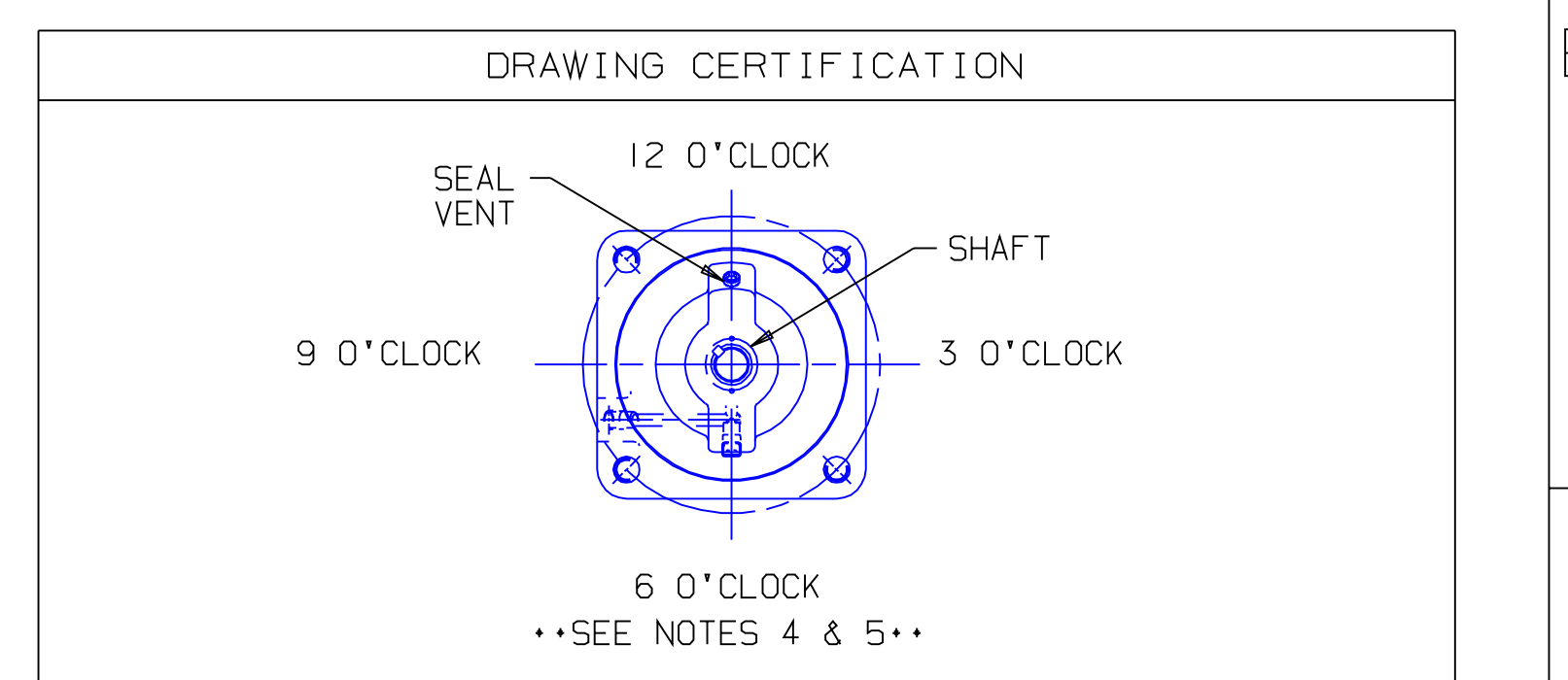
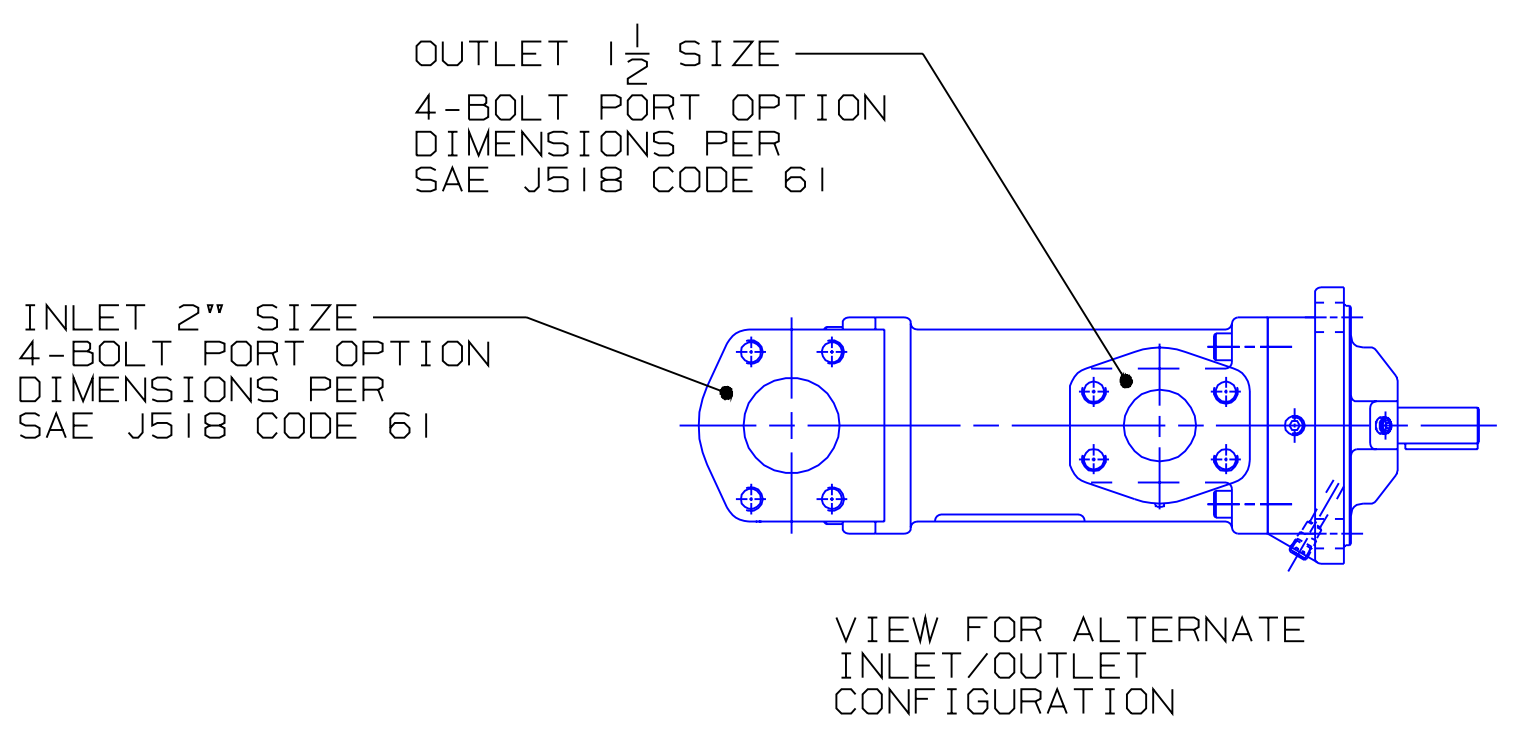


REVISION HISTORY						
CHG NO	ZONE	REV	DESCRIPTION	DATE	BY	APPROVED
02-0177	F	1	CHANGED COUPLING CALLOUT, WAS L-110	5-29-02	ERH	ERH

ITEM	DESCRIPTION	APPROXIMATE WEIGHT		MATERIAL
		LBS	KG	
1	MOTOR (2B4TSC & 2B6TSC)	328.0	148.8	
2	PUMP	44.0	20.0	
3	COUPLING, LOVEJOY L-150	8.0	3.6	
4	BRACKET	9.0	4.1	ALUMINUM
<b>TOTAL</b>		<b>389.0</b>	<b>176.5</b>	

• DRIVER DIMENSIONS MAY VARY WITH TYPE AND MAKE OF DRIVER.

FORCE AND MOMENT VALUES ARE RELATIVE TO CENTER OF INLET AND OUTLET PORT FACES.



CUSTOMER NAME -----  
 CUSTOMER PO NUMBER -----  
 CUSTOMER PART NUMBER -----

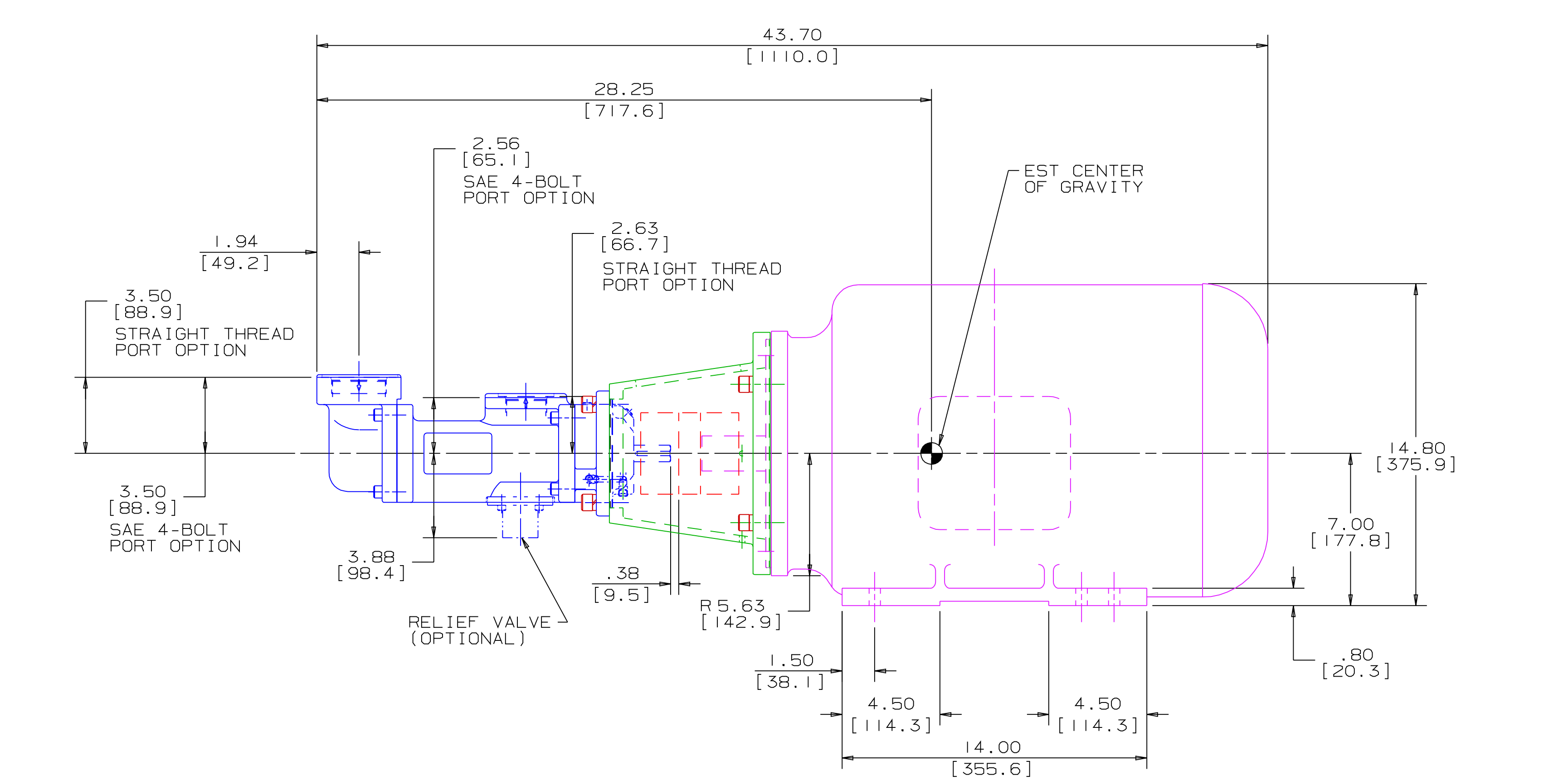
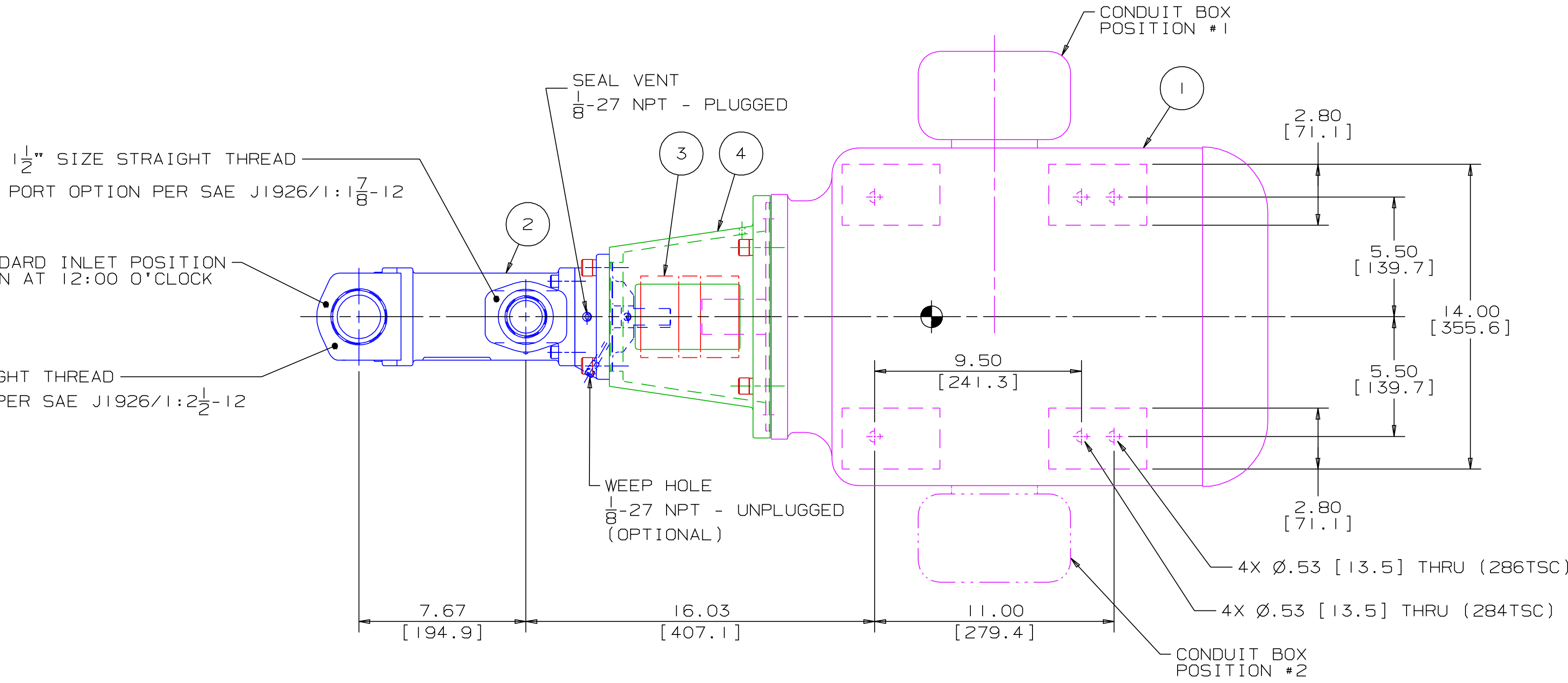
UNIT BOM NUMBER -----

PUMP  
 PUMP TYPE -----  
 SHAFT ROTATION -----  
 INLET PORT OPTION -----  
 OUTLET PORT OPTION -----  
 INLET PORT ORIENTATION -----  
 OUTLET PORT ORIENTATION -----  
 INLET ADAPTER OPTION -----  
 OUTLET ADAPTER OPTION -----  
 RELIEF VALVE SET PRESSURE, IF APPLICABLE -----

MOTOR  
 MOTOR MANUFACTURER -----  
 TYPE -----  
 FRAME -----  
 POWER -----  
 ROTATING SPEED -----  
 PHASE(S) -----  
 FREQUENCY -----  
 VOLTAGE -----  
 CONDUIT BOX POSITION -----  
 MOTOR INSTALLED BY -----

CERTIFIED BY -----  
 IMO ORDER NUMBER -----  
 CERTIFICATION DATE -----  
 CERTIFICATION REV. NO. -----

- NOTES:
- UNLESS OTHERWISE SPECIFIED, ALL DIMENSIONS ARE IN INCHES. DIMENSIONS IN [ ] ARE MILLIMETERS.
  - THIS IS A STANDARD PRE-ENGINEERED UNIT OUTLINE. ANY CHANGES OUTSIDE OF THE CERTIFICATION BLOCK WILL REQUIRE A NEW DRAWING ASSIGNMENT.
  - APPROXIMATE WEIGHT AND ESTIMATED C/G DO NOT INCLUDE OPTIONAL ADAPTERS OR OPTIONAL RELIEF VALVE.
  - TO MAXIMIZE SEAL LIFE, SEAL VENT MUST BE ORIENTED UPWARD (12 O'CLOCK) WHEN PUMP IS INSTALLED HORIZONTALLY. VENT ORIENTATION IS NOT CRITICAL WHEN PUMP IS INSTALLED WITH SHAFT VERTICALLY UPWARD.
  - ALTERNATE PORT ORIENTATIONS ARE PROVIDED IF SPECIFIED ON ORDER. AVAILABLE ORIENTATIONS ARE 3, 6, 9, AND 12 O'CLOCK.



WEB ADDRESS: WWW.IMO-PUMP.COM EMAIL: IMO.PUMP@COLFAXCORP.COM

DRAWN DMM 10-3-01  
 CHECKED DMM 10-12-01  
 APPD DMM 10-12-01

IMo Pump  
 1710 Airport Road  
 PO Box 5020  
 Monroe, NC USA  
 28111.5020

TITLE: OUTLINE UNIT STANDARD (IRON)  
 AA3G/143/162

SIZE: 59180  
 CAGE CODE: SDD20269  
 DWG NO: 1/4  
 SCALE: 1/4 WEIGHT: SEE ABOVE SHEET 1 OF 1

COMMENTS:  
 STANDARD ROTATION IS CLOCKWISE WHEN VIEWED FROM COUPLING END OF PUMP. SUCTION STRAINER AND DISCHARGE RELIEF VALVE MUST BE PROVIDED.  
 UNITS ARE ACCURATELY ALIGNED AT THE FACTORY. ALIGNMENT SHOULD BE CHECKED BEFORE STARTING TO ENSURE THAT IT IS TO STAY WITHIN .005 (0.13) FT/M.  
 FLUSH SUCTION PIPING BEFORE CONNECTING PUMP. PRIME AND VENT PUMP. DO NOT START PUMP WITH VALVES CLOSED. READ INSTRUCTION MANUAL FOR DETAILS BEFORE STARTING.

IRON 3G-143/162 UNIT