

INLET:
 FX=37.5 LBF [167 N] MX=62.5 LB FT [84.7 N·m]
 FY=37.5 LBF [167 N] MY=62.5 LB FT [84.7 N·m]
 FZ=37.5 LBF [167 N] MZ=62.5 LB FT [84.7 N·m]

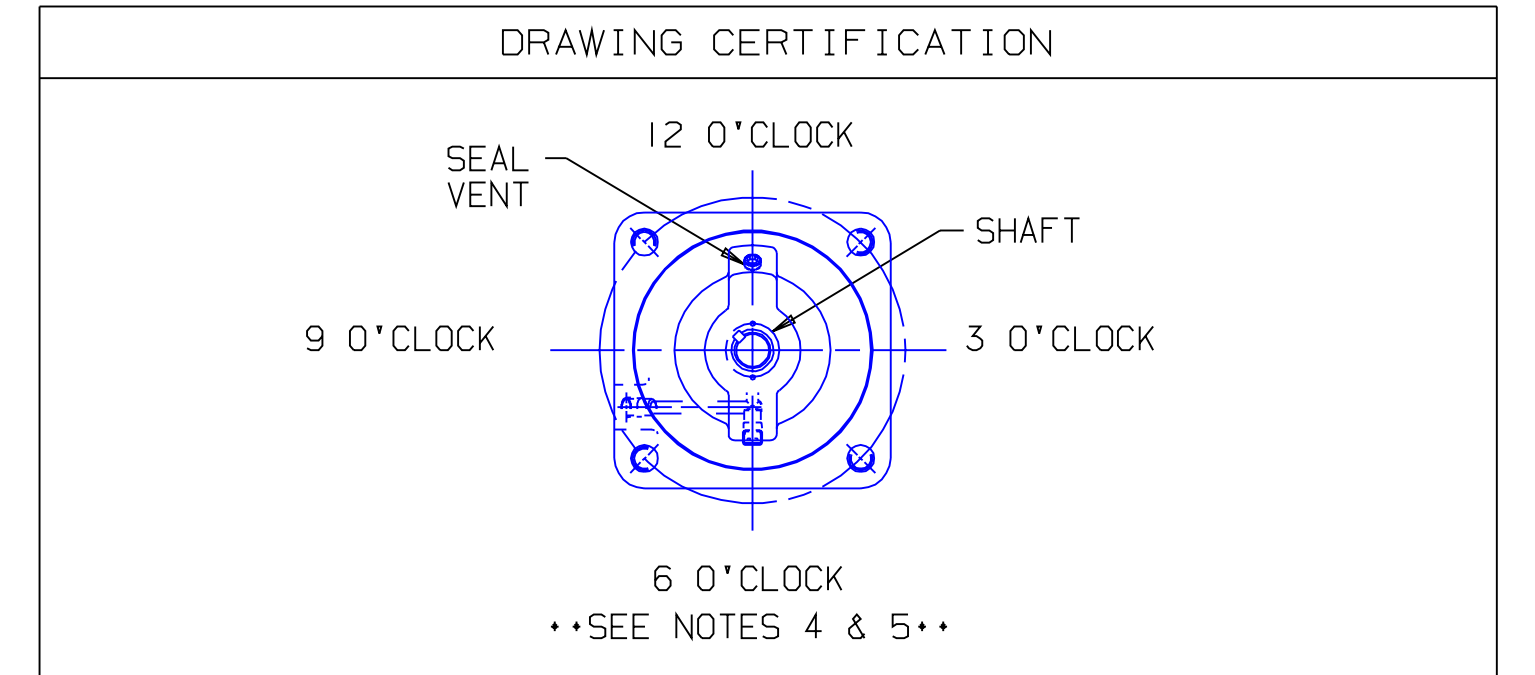
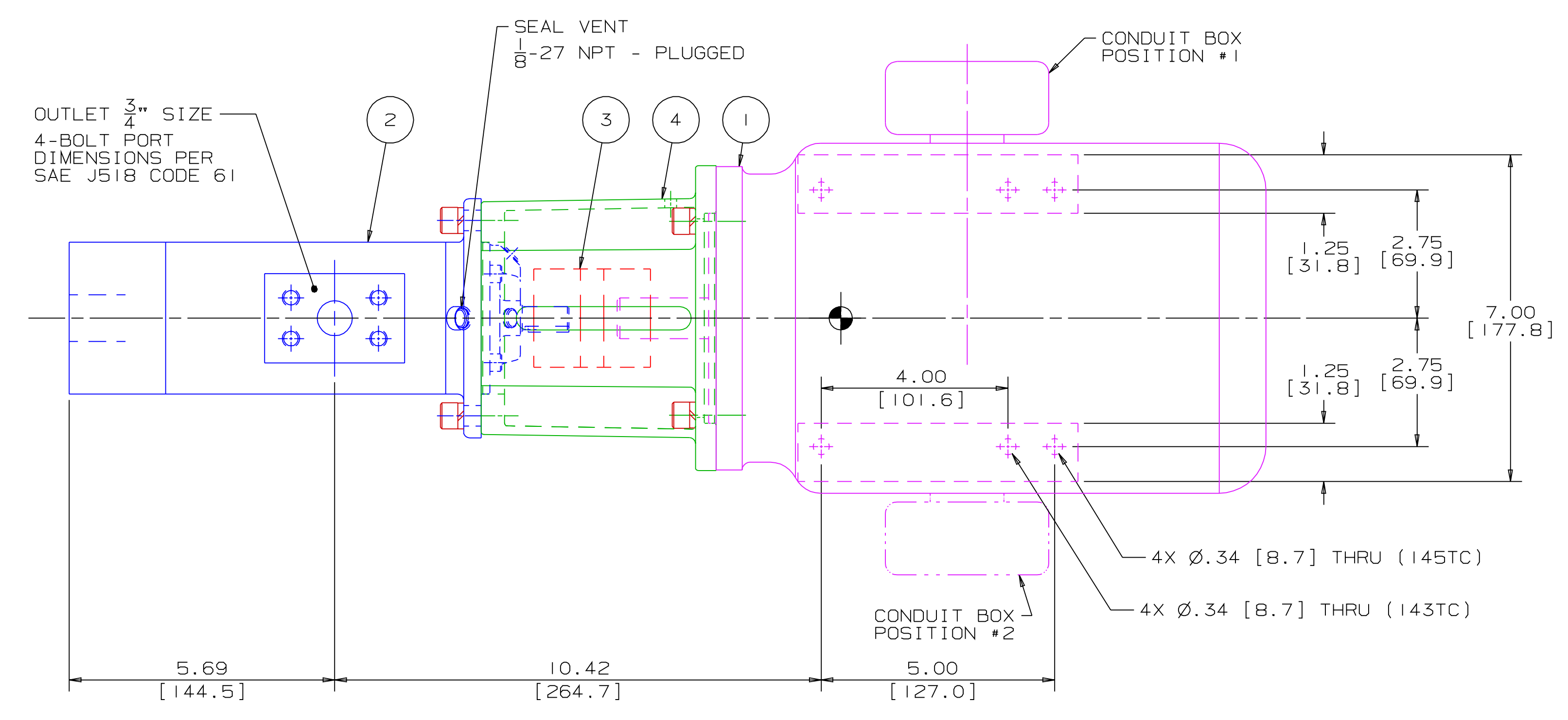
OUTLET:
 FX=28.1 LBF [125 N] MX=46.9 LB FT [63.6 N·m]
 FY=28.1 LBF [125 N] MY=46.9 LB FT [63.6 N·m]
 FZ=28.1 LBF [125 N] MZ=46.9 LB FT [63.6 N·m]

FORCE AND MOMENT VALUES ARE RELATIVE TO CENTER OF INLET AND OUTLET PORT FACES.

REVISION HISTORY					
CHG NO	ZONE	REV	DESCRIPTION	DATE	BY / APPROVED
01-0503	A2, D2	1	REMOVED NOTE 6 & REVISED DRAWING CERTIFICATION BLOCK	10-17-01	DMM / DMM

ITEM	DESCRIPTION	APPROXIMATE WEIGHT		MATERIAL
		LBS	KG	
1	MOTOR (143TC OR 145TC)	68.0	30.8	
2	PUMP	18.0	8.2	
3	COUPLING, LOVEJOY L-095	1.8	0.8	
4	BRACKET	2.2	1.0	ALUMINUM
TOTAL		90.0	40.8	

• DRIVER DIMENSIONS MAY VARY WITH TYPE AND MAKE OF DRIVER



CUSTOMER NAME -----

CUSTOMER PO NUMBER -----

CUSTOMER PART NUMBER -----

UNIT BOM NUMBER -----

PUMP

PUMP TYPE -----

SHAFT ROTATION -----

INLET PORT ORIENTATION -----

OUTLET PORT ORIENTATION -----

INLET ADAPTER OPTION -----

OUTLET ADAPTER OPTION -----

MOTOR

MOTOR MANUFACTURER -----

TYPE -----

FRAME -----

POWER -----

ROTATING SPEED -----

PHASE(S) -----

FREQUENCY -----

VOLTAGE -----

CONDUIT BOX POSITION -----

MOTOR INSTALLED BY -----

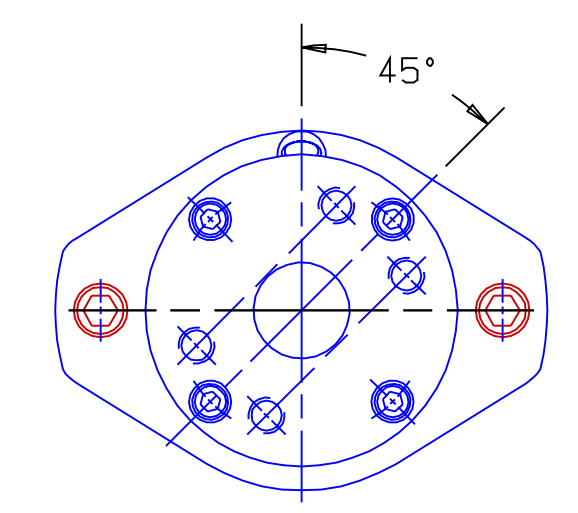
CERTIFIED BY -----

IMO ORDER NUMBER -----

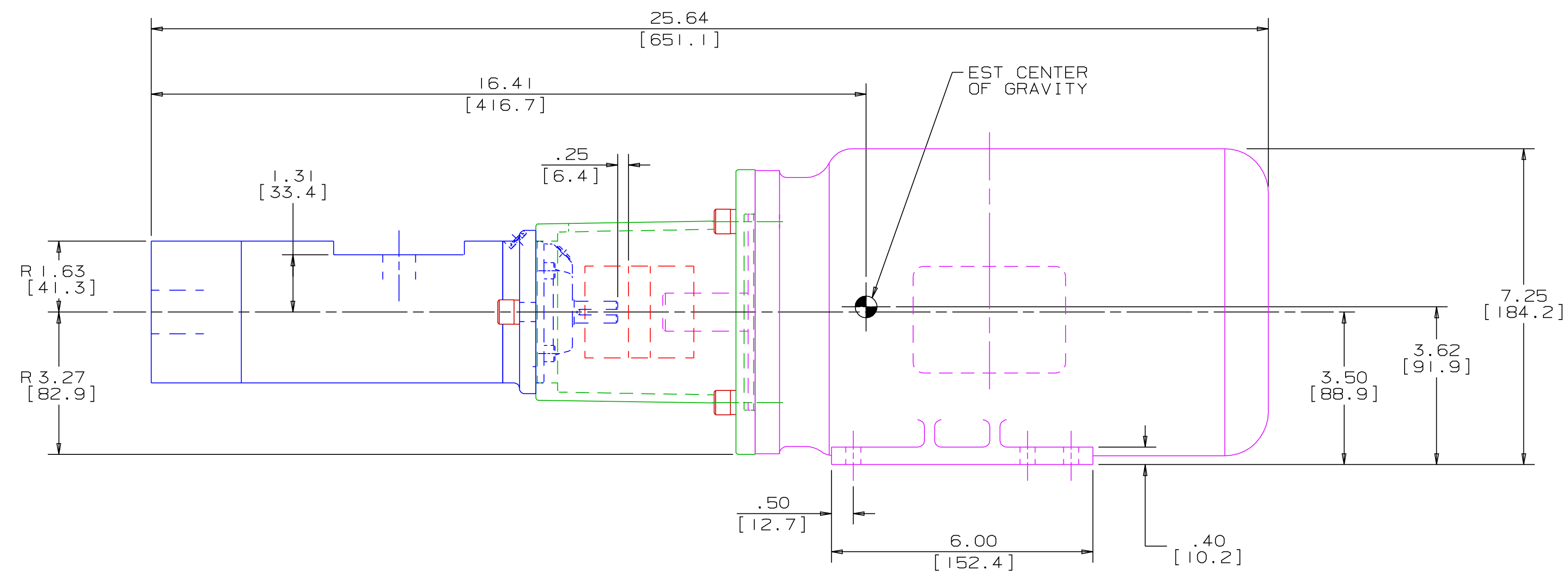
CERTIFICATION DATE -----

CERTIFICATION REV. NO. -----

NOTES:



END VIEW
 INLET 1" SIZE
 4-BOLT PORT
 DIMENSIONS PER
 SAE J518 CODE 61



- NOTES:
- UNLESS OTHERWISE SPECIFIED, ALL DIMENSIONS ARE IN INCHES. DIMENSIONS IN [] ARE MILLIMETERS.
 - THIS IS A STANDARD PRE-ENGINEERED UNIT OUTLINE. ANY CHANGES OUTSIDE OF THE CERTIFICATION BLOCK WILL REQUIRE A NEW DRAWING ASSIGNMENT.
 - APPROXIMATE WEIGHT AND ESTIMATED C/G DO NOT INCLUDE OPTIONAL ADAPTERS OR OPTIONAL RELIEF VALVE.
 - TO MAXIMIZE SEAL LIFE, SEAL VENT MUST BE ORIENTED UPWARD (12 O'CLOCK) WHEN PUMP IS INSTALLED HORIZONTALLY. VENT ORIENTATION IS NOT CRITICAL WHEN PUMP IS INSTALLED WITH SHAFT VERTICALLY UPWARD.
 - ALTERNATE PORT ORIENTATIONS ARE PROVIDED IF SPECIFIED ON ORDER. AVAILABLE ORIENTATIONS ARE 3,6,9, AND 12 O'CLOCK.

WEB ADDRESS: WWW.IMO-PUMP.COM EMAIL: IMO.PUMP@COLFAXCORP.COM

DRAWN	DMM	8-14-01
CHECKED	DMM	9-26-01
APPD	DMM	9-26-01
PROCESS		

Imo Pump
 1710 Airport Road
 PO Box 5020
 Monroe, NC USA
 28111.5020

TITLE: **OUTLINE UNIT STANDARD (STEEL)**
 AA3G / S-095

SIZE: F CAGE CODE: 59180 DWG NO: SDD20108
 F1: EBI22A F1: FIRST ORDER
 SCALE: 1/2 WEIGHT: SEE ABOVE SHEET: 1 OF 1

STEEL 3G-095 UNIT