

INLET:  
 FX=150 LBF[667 N]    MX=250 LB FT[339 N·m]  
 FY=150 LBF[667 N]    MY=250 LB FT[339 N·m]  
 FZ=150 LBF[667 N]    MZ=250 LB FT[339 N·m]

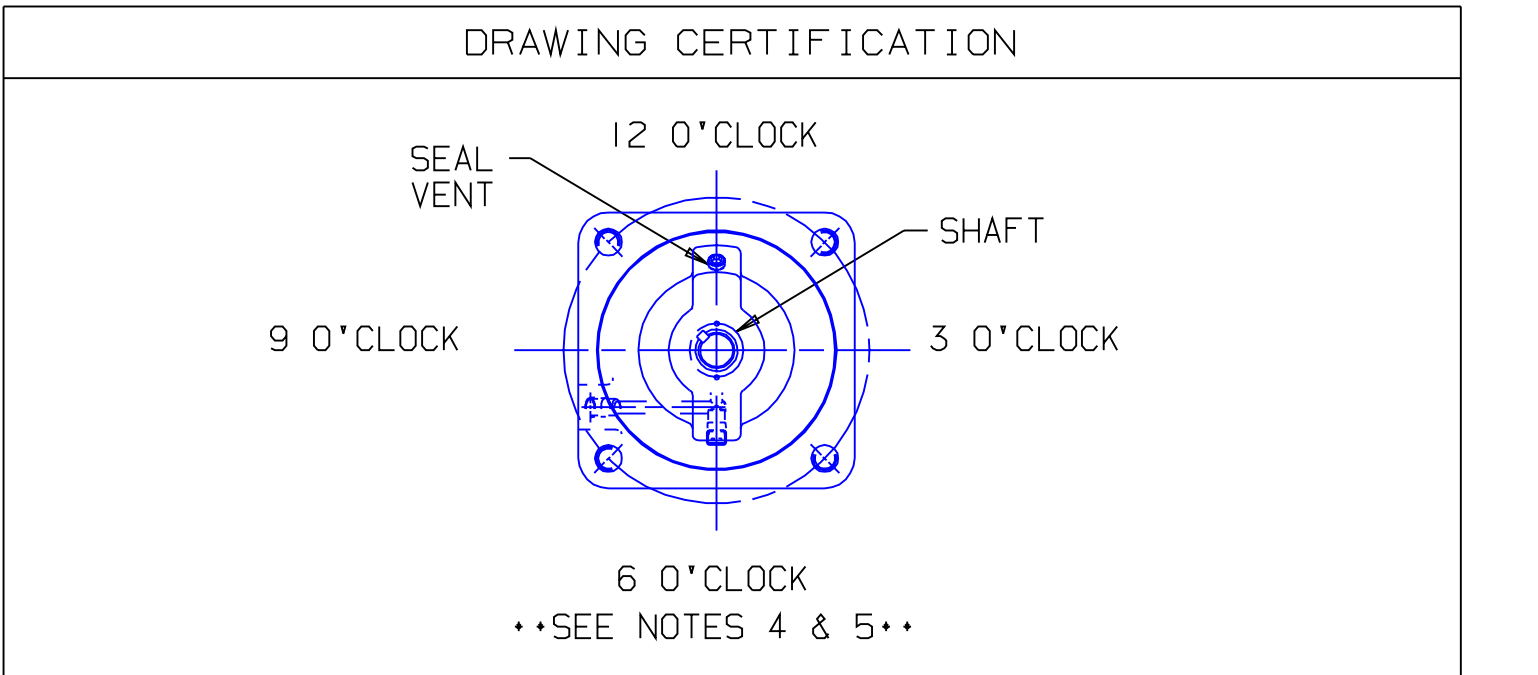
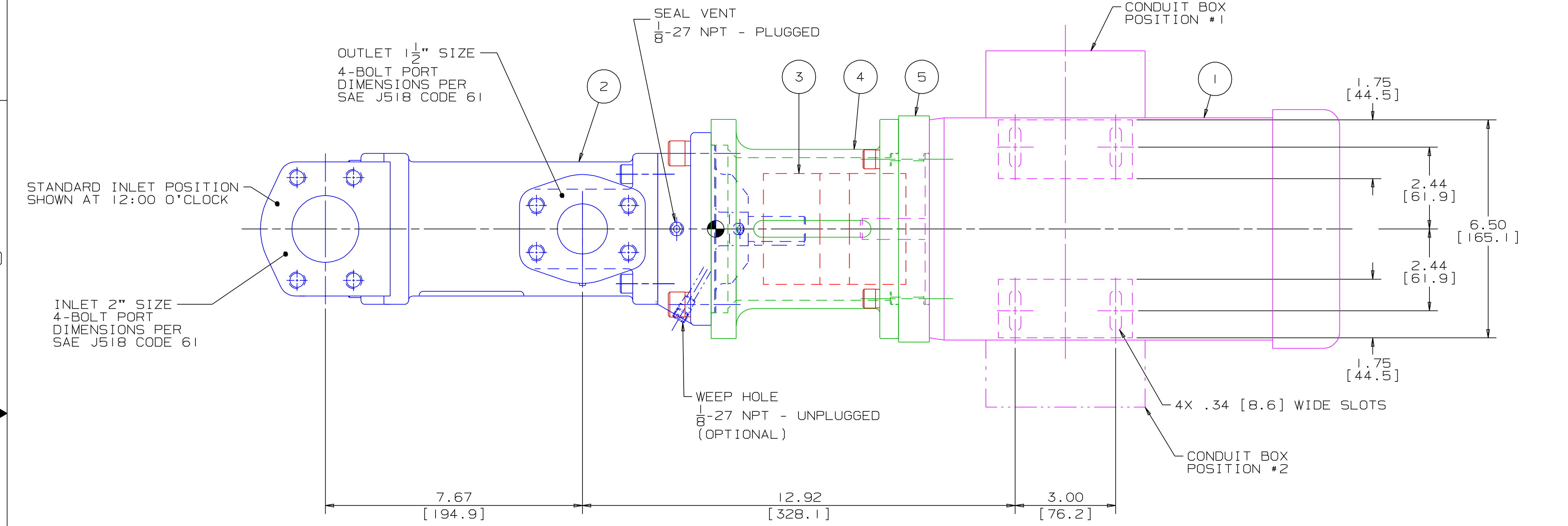
OUTLET:  
 FX=113 LBF[500 N]    MX=188 LB FT[254 N·m]  
 FY=113 LBF[500 N]    MY=188 LB FT[254 N·m]  
 FZ=113 LBF[500 N]    MZ=188 LB FT[254 N·m]

FORCE AND MOMENT VALUES ARE RELATIVE TO CENTER OF INLET AND OUTLET PORT FACES.

REVISION HISTORY					
CHG NO	ZONE	REV	DESCRIPTION	DATE	BY / APPROVED
01-0503	A2, D2	1	REVISED NOTE 6 & REVISED DRAWING CERTIFICATION BLOCK	10-17-01	DMM / DMM

ITEM	DESCRIPTION	APPROXIMATE WEIGHT		MATERIAL
		LBS	KG	
1	MOTOR (56C)	25.0	11.3	
2	PUMP	44.0	20.0	
3	COUPLING, LOVEJOY L-110	6.0	2.7	
4	BRACKET	2.2	1.0	ALUMINUM
5	BRACKET ADAPTER	1.0	0.5	ALUMINUM
TOTAL		78.2	35.5	

• DRIVER DIMENSIONS MAY VARY WITH TYPE AND MAKE OF DRIVER



CUSTOMER NAME -----  
 CUSTOMER PO NUMBER -----  
 CUSTOMER PART NUMBER -----

UNIT BOM NUMBER -----

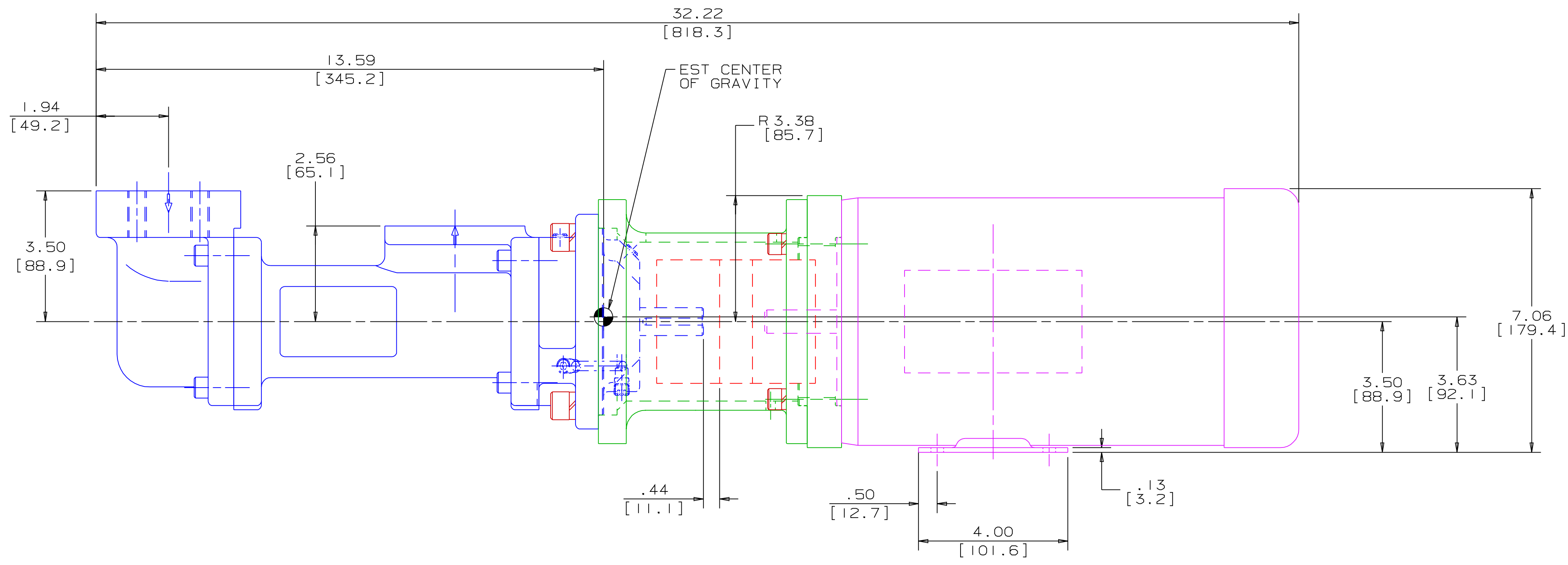
PUMP  
 PUMP TYPE -----  
 SHAFT ROTATION -----  
 INLET PORT ORIENTATION -----  
 OUTLET PORT ORIENTATION -----  
 INLET ADAPTER OPTION -----  
 OUTLET ADAPTER OPTION -----

MOTOR  
 MOTOR MANUFACTURER -----  
 TYPE -----  
 FRAME -----  
 POWER -----  
 ROTATING SPEED -----  
 PHASE(S) -----  
 FREQUENCY -----  
 VOLTAGE -----  
 CONDUIT BOX POSITION -----  
 MOTOR INSTALLED BY -----

CERTIFIED BY -----  
 IMO ORDER NUMBER -----  
 CERTIFICATION DATE -----  
 CERTIFICATION REV. NO. -----

NOTES:

- NOTES:
- UNLESS OTHERWISE SPECIFIED, ALL DIMENSIONS ARE IN INCHES. DIMENSIONS IN [ ] ARE MILLIMETERS.
  - THIS IS A STANDARD PRE-ENGINEERED UNIT OUTLINE. ANY CHANGES OUTSIDE OF THE CERTIFICATION BLOCK WILL REQUIRE A NEW DRAWING ASSIGNMENT.
  - APPROXIMATE WEIGHT AND ESTIMATED C/G DO NOT INCLUDE OPTIONAL ADAPTERS OR OPTIONAL RELIEF VALVE.
  - TO MAXIMIZE SEAL LIFE, SEAL VENT MUST BE ORIENTED UPWARD (12 O'CLOCK) WHEN PUMP IS INSTALLED HORIZONTALLY. VENT ORIENTATION IS NOT CRITICAL WHEN PUMP IS INSTALLED WITH SHAFT VERTICALLY UPWARD.
  - ALTERNATE PORT ORIENTATIONS ARE PROVIDED IF SPECIFIED ON ORDER. AVAILABLE ORIENTATIONS ARE 3,6,9, AND 12 O'CLOCK.



WEB ADDRESS: WWW.IMO-PUMP.COM		EMAIL: IMO.PUMP@COLFAXCORP.COM	
DRAWN	DMM 8-10-01	 Imo Pump 1710 Airport Road PO Box 5020 Monroe, NC USA 28111.5020	
CHECKED	DMM 9-25-01		
APPD	DMM 9-25-01		
PROCESS	METHODS	TITLE	OUTLINE UNIT STANDARD (STEEL)
		SIZE	AA3G / - S - 143 / 162 - -
		SCALE	1/2
		WEIGHT	SEE ABOVE
		SHEET	1 OF 1

STEEL 3G-143/162 UNIT