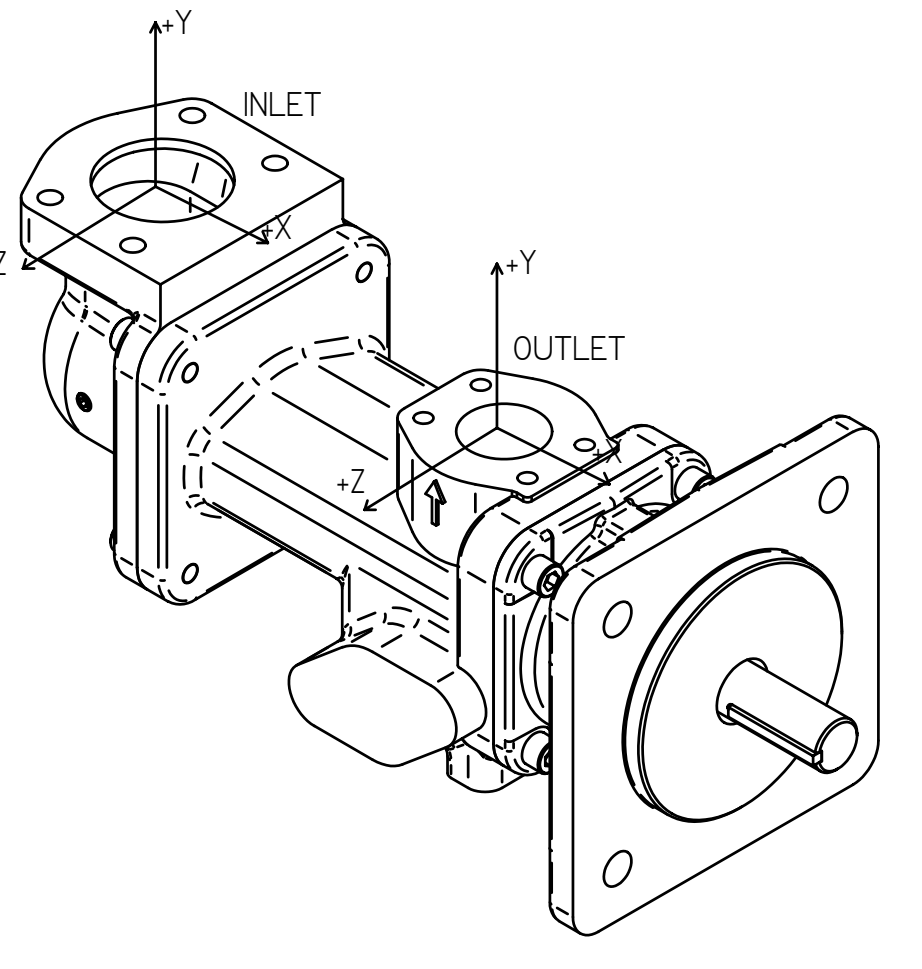
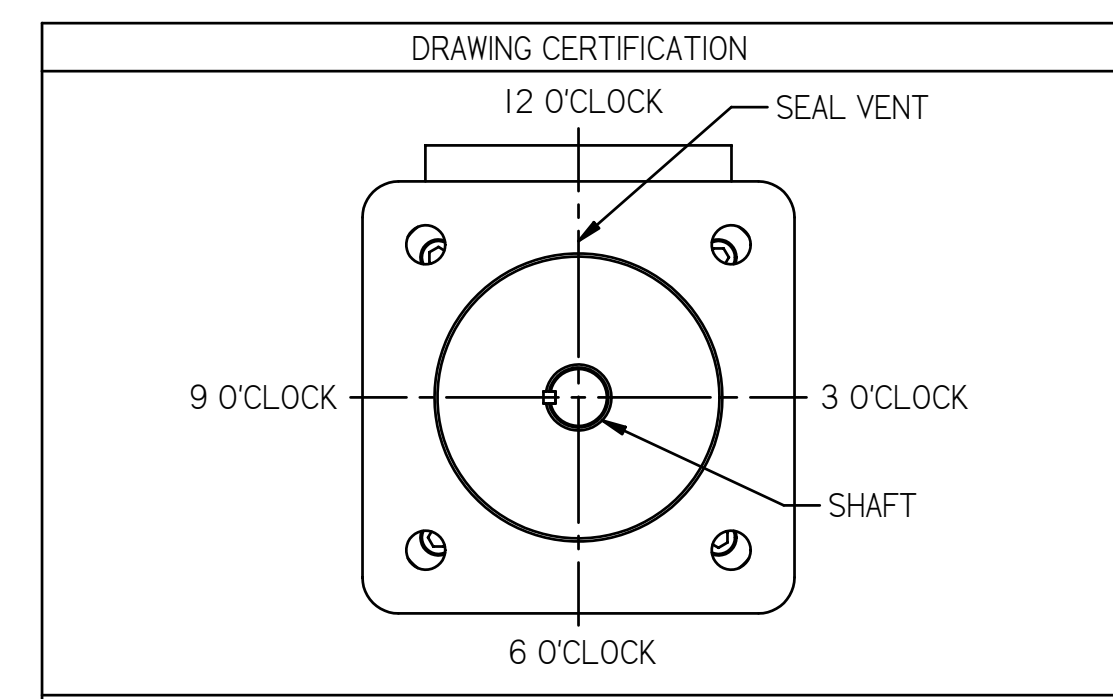
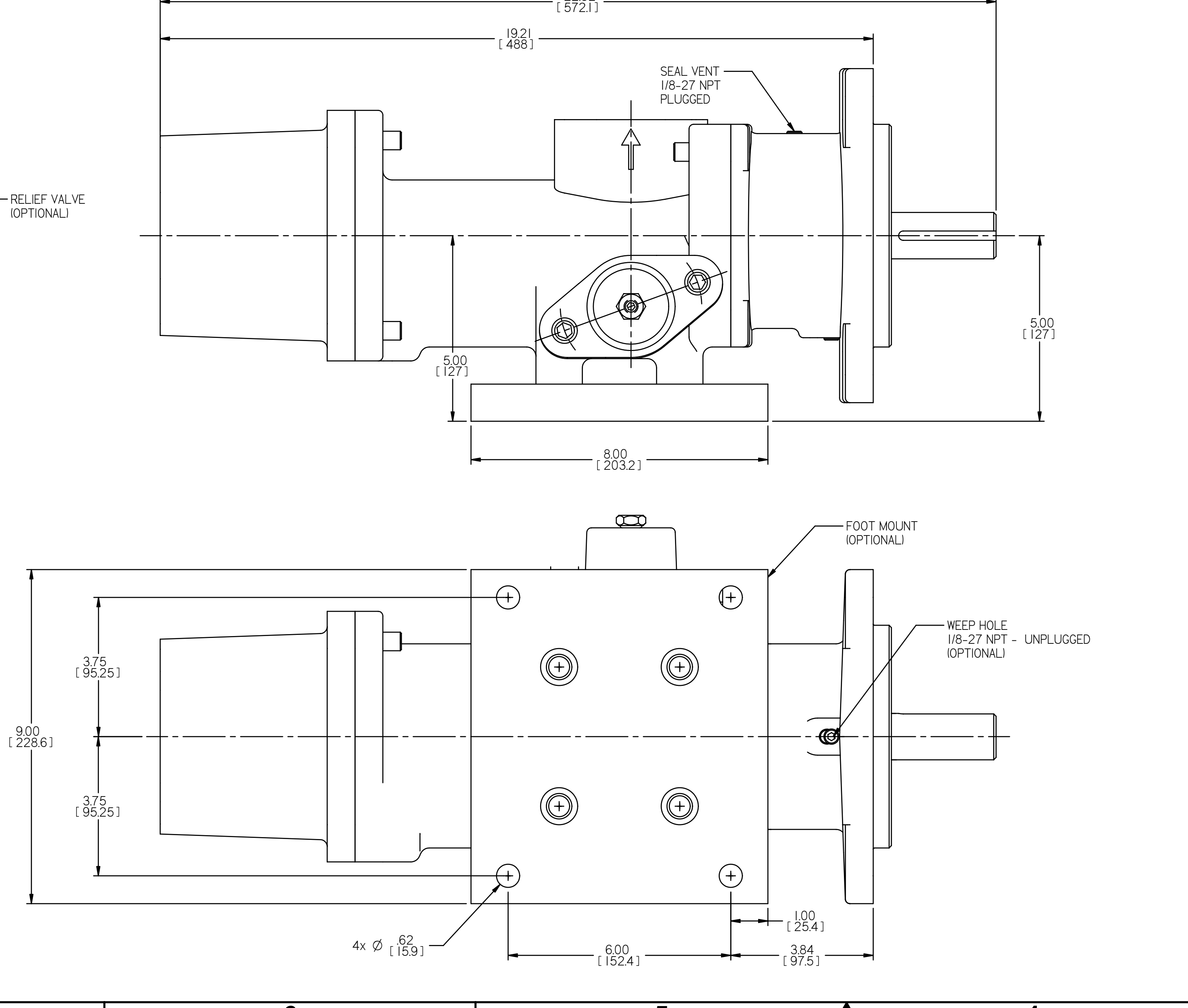
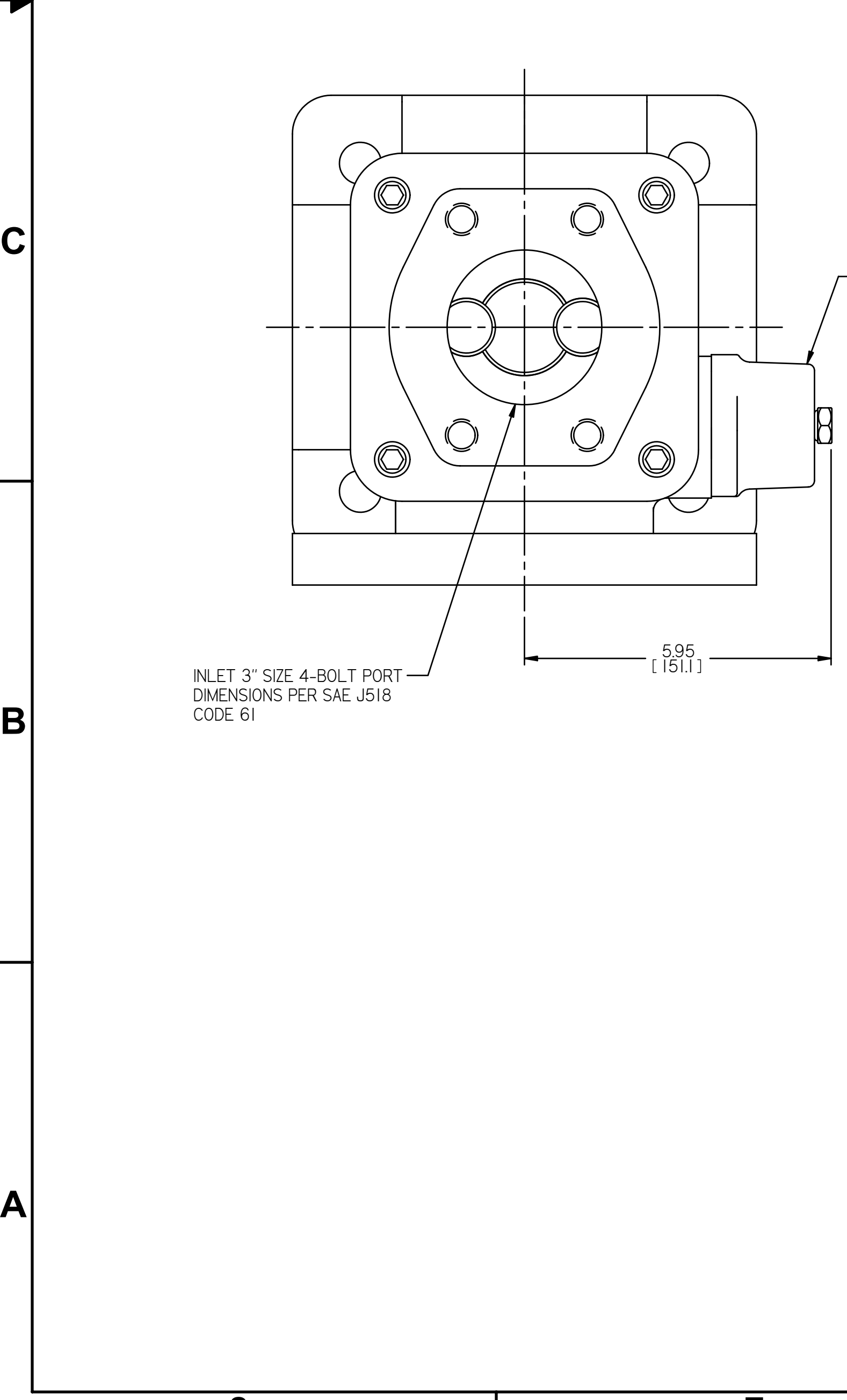


VIEWS FOR ALTERNATIVE AXIAL INLET, FOOT MOUNT, WEEP HOLE AND RELIEF VALVE CONFIGURATIONS



COORDINATE SYSTEM FOR MAXIMUM  
PUMP FORCES (F) AND MOMENTS (M)

INLET:  
FX= 225 LBF [1000 N] MX= 375 LB FT [508 N·m]  
FY= 225 LBF [1000 N] MY= 375 LB FT [508 N·m]  
FZ= 225 LBF [1000 N] MZ= 375 LB FT [508 N·m]

OUTLET:  
FX= 150 LBF [667 N] MX= 250 LB FT [339 N·m]  
FY= 150 LBF [667 N] MY= 250 LB FT [339 N·m]  
FZ= 150 LBF [667 N] MZ= 250 LB FT [329 N·m]

FORCE AND MOMENT VALUES ARE RELATIVE TO  
CENTER OF INLET AND OUTLET PORT FACES.

- NOTES:
- TO MAXIMIZE SEAL LIFE, SEAL VENT MUST BE ORIENTED UPWARD (12 O'CLOCK) WHEN PUMP IS INSTALLED HORIZONTALLY. VENT ORIENTATION IS NOT CRITICAL WHEN PUMP IS INSTALLED WITH SHAFT VERTICALLY UPWARD.
  - PORT, FOOT, AND SEAL VENT ORIENTATIONS ARE SUPPLIED AS SHOWN ON DRAWING UNLESS OTHERWISE SPECIFIED.
  - ALTERNATE PORT AND FOOT ORIENTATIONS ARE PROVIDED IF SPECIFIED ON ORDER. AVAILABLE ORIENTATIONS ARE 3, 6, 9, AND 12 O'CLOCK.
  - BOLT PATTERN FOR SAE 4-BOLT AXIAL INLET IS ALWAYS ORIENTED AS SHOWN WITH RESPECT TO OUTLET PORT.
  - APPROXIMATE PUMP WEIGHT (WITHOUT ADAPTERS):  
187 FLANGE MOUNT PUMP-----124 LBS [56.2 kgs]  
187 FOOT MOUNT PUMP-----139 LBS [63.1 kgs]  
200 FLANGE MOUNT PUMP-----117 LBS [53.1 kgs]  
200 FOOT MOUNT PUMP-----136 LBS [61.7 kgs]
  - UNLESS OTHERWISE SPECIFIED, ALL DIMENSIONS ARE IN INCHES. DIMENSIONS IN [ ] ARE MILLIMETERS.

CUSTOMER NAME:

CUSTOMER PURCHASE ORDER NUMBER:

CUSTOMER PART NUMBER:

BILL OF MATERIAL NUMBER:

PUMP TYPE:

SHAFT ROTATION:

INLET PORT ORIENTATION:

OUTLET PORT ORIENTATION:

FOOT BRACKET ORIENTATION:

INLET PORT OPTION:

INLET ADAPTER OPTION:

OUTLET ADAPTER OPTION:

RELIEF VALVE SET PRESSURE:  
IF APPLICABLE

OTHER INFORMATION

CERTIFIED BY:

CERTIFIED DATE:

IMO ORDER NUMBER:

DATA REVISION NUMBER:

UNLESS OTHERWISE SPECIFIED  
ANSI Y14.5M-1994

COMMENTS:  
SECTION STRAINER AND DISCHARGE RELIEF VALVE MUST BE PROVIDED  
ALIGNMENT  
UNITS ARE ACCURATELY ALIGNED AT THE FACTORY. ALIGNMENT SHOULD  
BE CHECKED BEFORE STARTING TO INSURE THAT IT IS STILL WITHIN .005  
IN (0.127 MM)  
RECTIFYING  
FLUSH SECTION PIPING BEFORE CONNECTING PUMP. PRIME AND VENT  
PUMP. READ INSTRUCTION MANUAL FOR DETAILS BEFORE STARTING.

DRAWN	CDG	9-10-01		Imo Pump 1710 Airport Road PO Box 5020 Monroe, NC USA 28111-5020
CHECKED	DMM	9-13-01		
APPROVED	ERH	9-13-01		
TITLE	AA3G/	[187/200]	SIZE	F
FIRST ORDER	E1109A		SHEET	1 OF 1
SCALE	1/2	WEIGHT	SEE NOTE 5	

IRON 3G-187/200