

INLET:  
 FX=113 LBF [500 N]    MY=188 LB FT [254 N·m]  
 FY=113 LBF [500 N]    MZ=188 LB FT [254 N·m]  
 FZ=113 LBF [500 N]

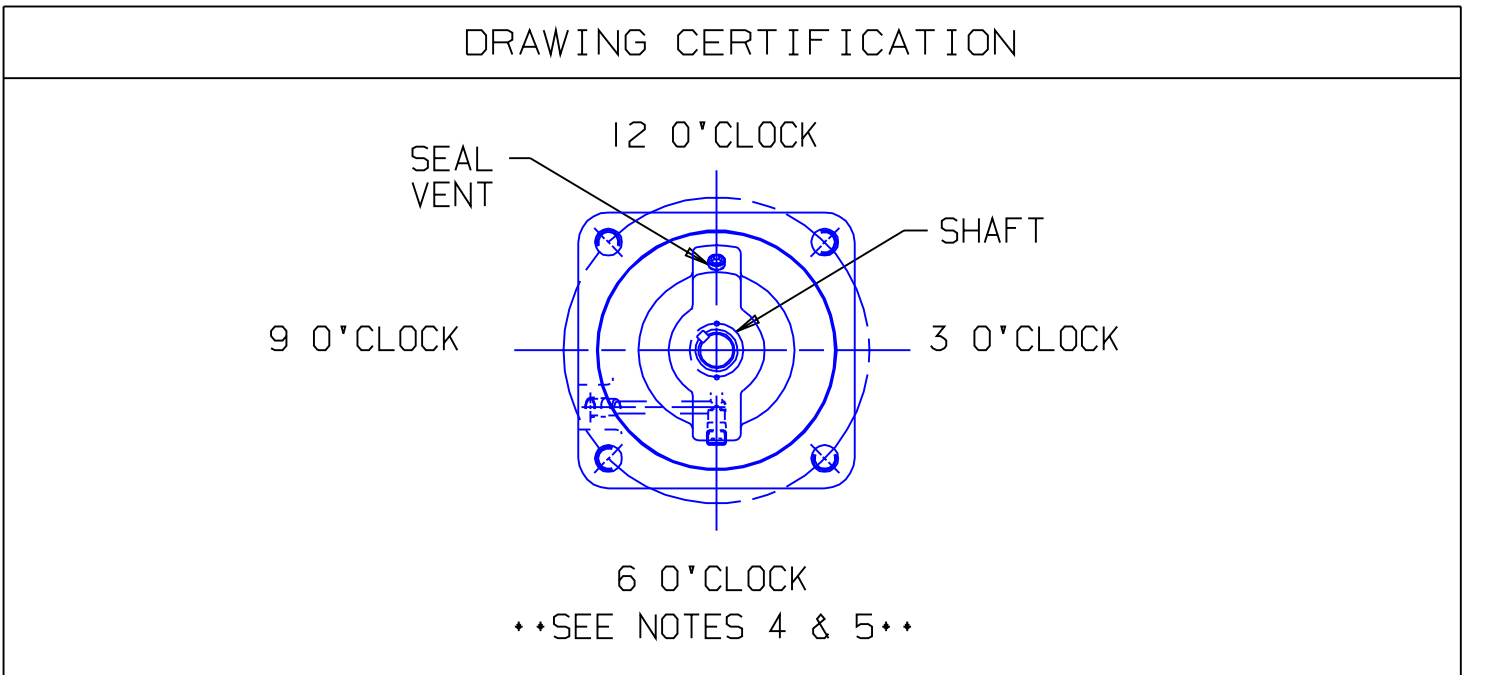
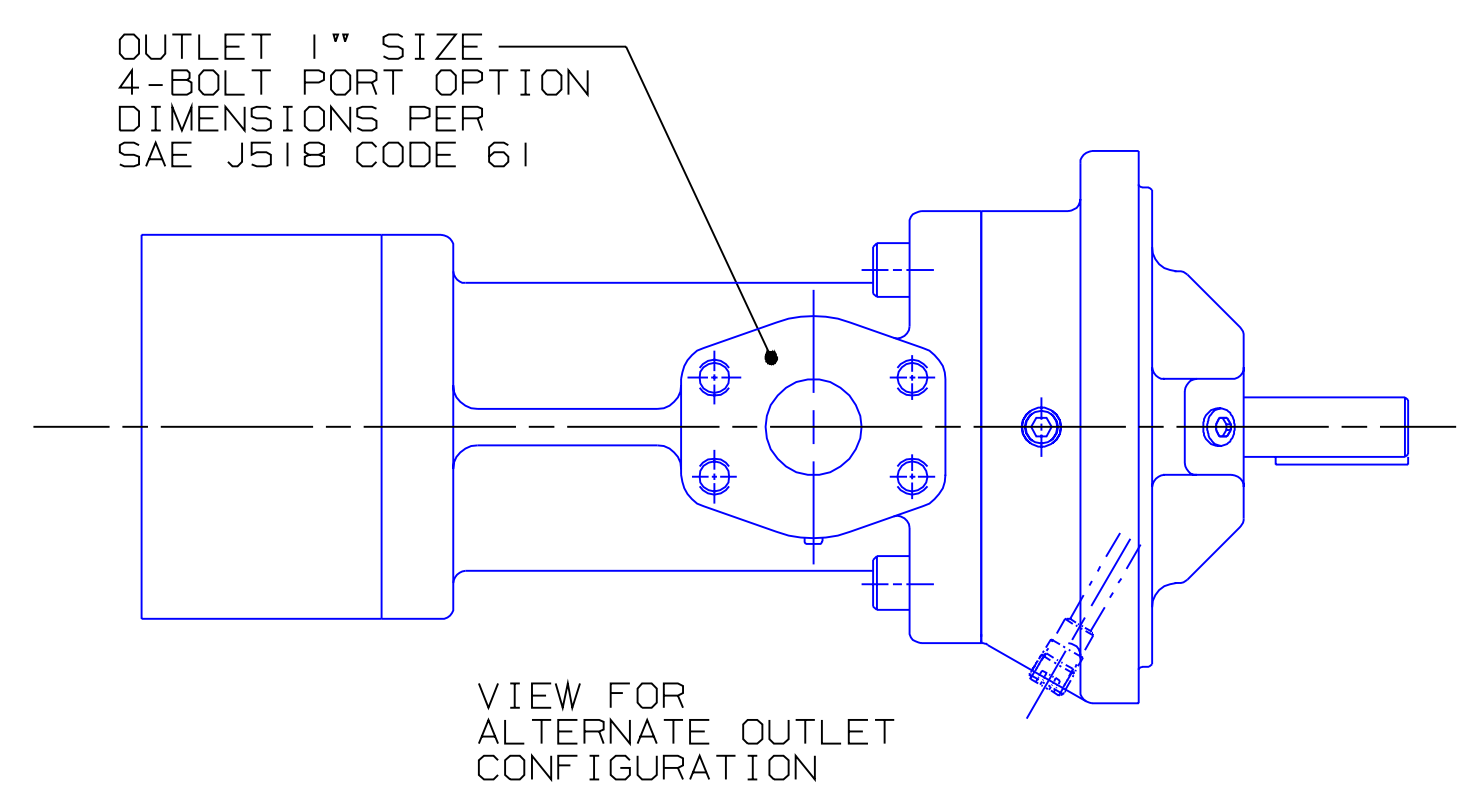
OUTLET:  
 FX=75 LBF [334 N]    MY=125 LB FT [169 N·m]  
 FY=75 LBF [334 N]    MZ=125 LB FT [169 N·m]  
 FZ=75 LBF [334 N]

FORCE AND MOMENT VALUES ARE RELATIVE TO  
CENTER OF INLET AND OUTLET PORT FACES.

REVISION HISTORY					
CHG NO	ZONE	REV	DESCRIPTION	DATE	BY / APPROVED

ITEM	DESCRIPTION	APPROXIMATE WEIGHT		MATERIAL
		LBS	KG	
1	MOTOR * (143TC & 145TC)	68.0	30.8	
2	PUMP	34.0	15.4	
3	COUPLING, LOVEJOY L-110	6.0	2.7	
4	BRACKET	2.2	1.0	ALUMINUM
5	BRACKET ADAPTER	1.0	0.5	ALUMINUM
TOTAL		111.2	50.4	

\* DRIVER DIMENSIONS MAY VARY  
WITH TYPE AND MAKE OF DRIVER



CUSTOMER NAME -----  
 CUSTOMER PO NUMBER -----  
 CUSTOMER PART NUMBER -----

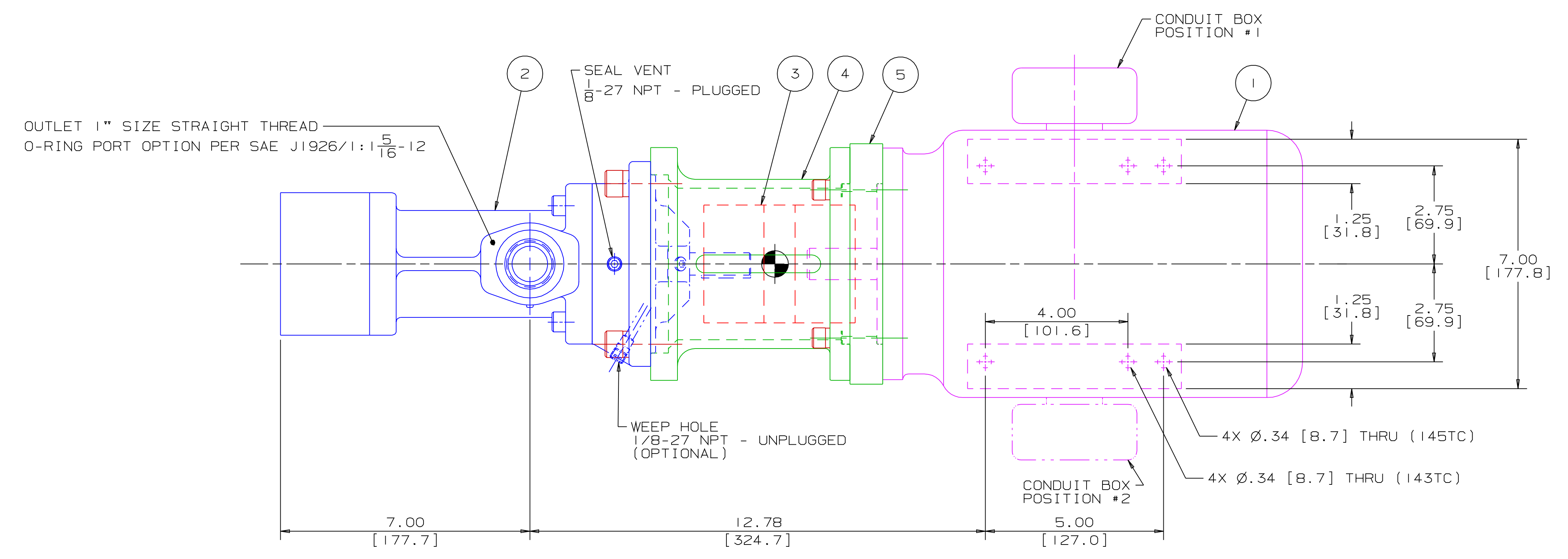
UNIT BOM NUMBER -----

PUMP  
 PUMP TYPE -----  
 SHAFT ROTATION -----  
 INLET PORT OPTION -----  
 OUTLET PORT OPTION -----  
 INLET PORT ORIENTATION -----  
 OUTLET PORT ORIENTATION -----  
 INLET ADAPTER OPTION -----  
 OUTLET ADAPTER OPTION -----  
 RELIEF VALVE SET PRESSURE,  
 IF APPLICABLE -----

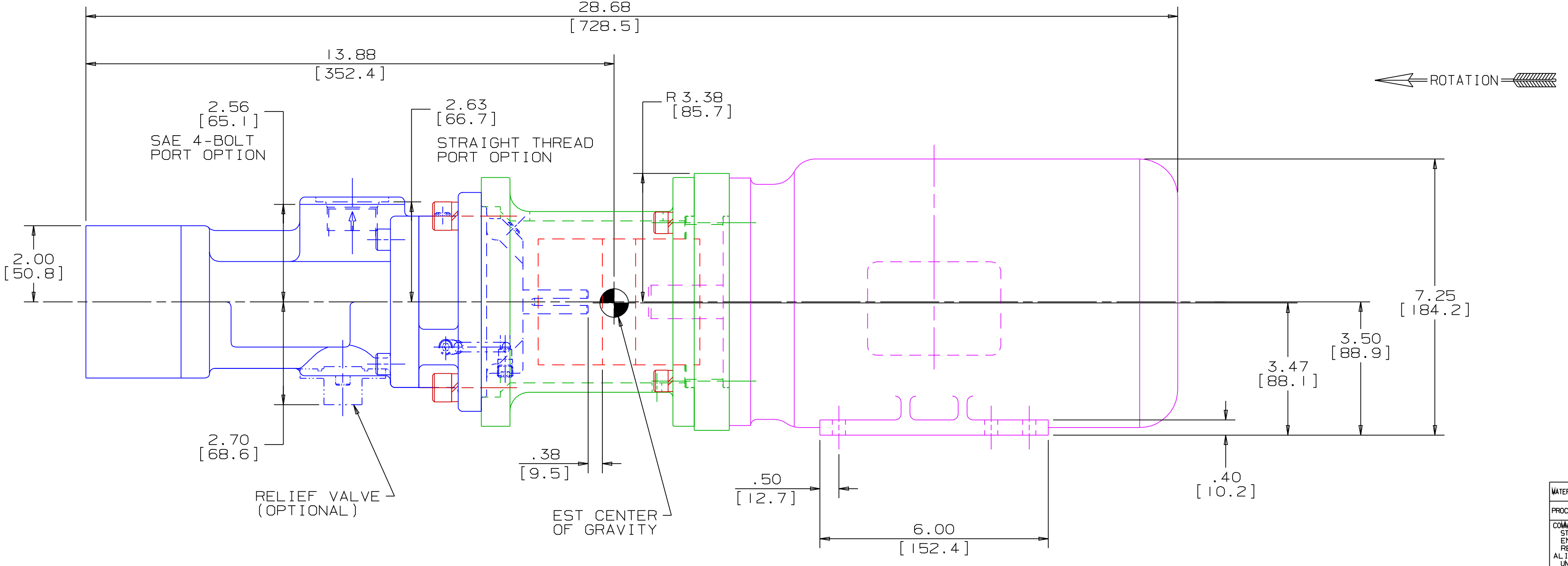
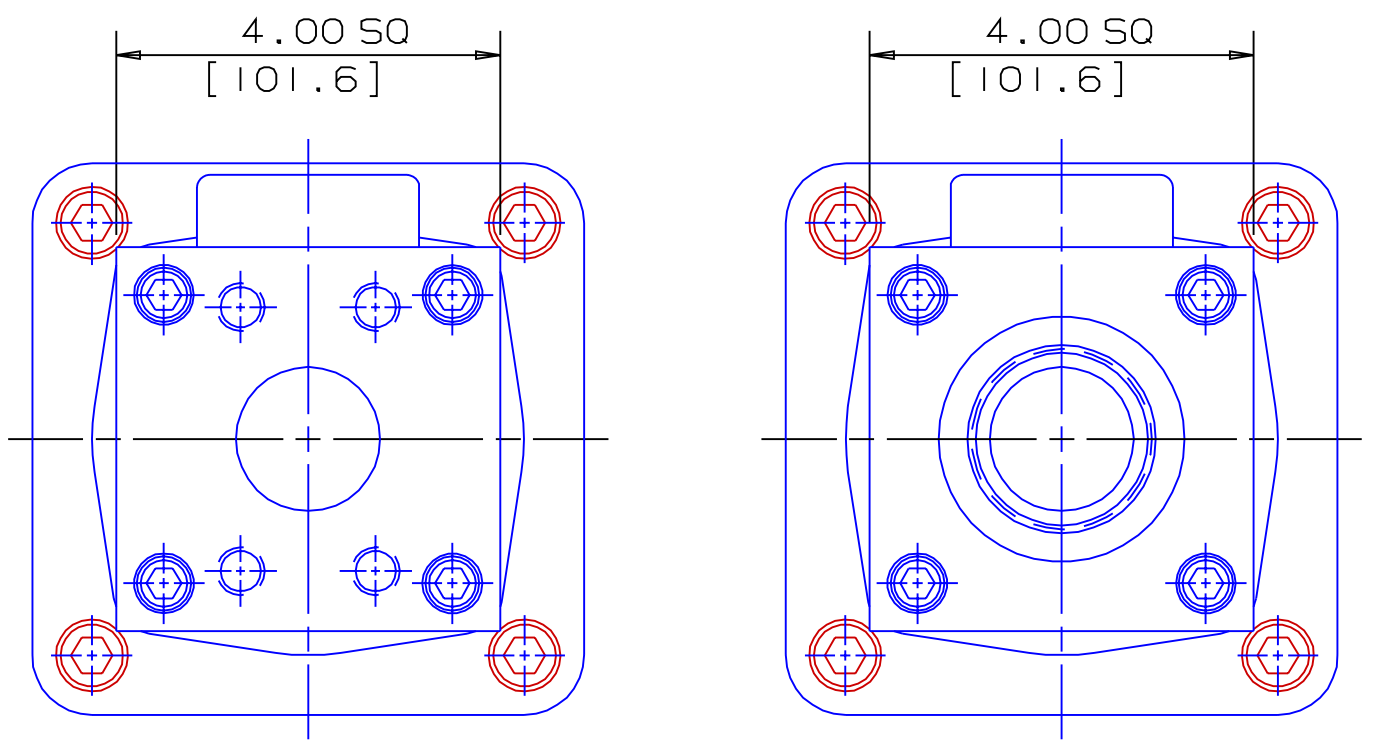
MOTOR  
 MOTOR MANUFACTURER -----  
 TYPE -----  
 FRAME -----  
 POWER -----  
 ROTATING SPEED -----  
 PHASE(S) -----  
 FREQUENCY -----  
 VOLTAGE -----  
 CONDUIT BOX POSITION -----  
 MOTOR INSTALLED BY -----

CERTIFIED BY -----  
 IMO ORDER NUMBER -----  
 CERTIFICATION DATE -----  
 CERTIFICATION REV. NO. -----

NOTES:



VIEWS FOR ALTERNATE AXIAL INLET PORT CONFIGURATION



- NOTES:
- UNLESS OTHERWISE SPECIFIED, ALL DIMENSIONS ARE IN INCHES. DIMENSIONS IN [ ] ARE MILLIMETERS.
  - THIS IS A STANDARD PRE-ENGINEERED UNIT OUTLINE. ANY CHANGES OUTSIDE OF THE CERTIFICATION BLOCK WILL REQUIRE A NEW DRAWING ASSIGNMENT.
  - APPROXIMATE WEIGHT AND ESTIMATED C/G DO NOT INCLUDE OPTIONAL ADAPTERS OR OPTIONAL RELIEF VALVE.
  - TO MAXIMIZE SEAL LIFE, SEAL VENT MUST BE ORIENTED UPWARD (12 O'CLOCK) WHEN PUMP IS INSTALLED HORIZONTALLY. VENT ORIENTATION IS NOT CRITICAL WHEN PUMP IS INSTALLED WITH SHAFT VERTICALLY UPWARD.
  - ALTERNATE PORT ORIENTATIONS ARE PROVIDED IF SPECIFIED ON ORDER. AVAILABLE ORIENTATIONS ARE 3, 6, 9, AND 12 O'CLOCK.

WEB ADDRESS: WWW.IMO-PUMP.COM    EMAIL: IMO.PUMP@COLFAXCORP.COM

DRAWN DMM 9-17-01  
 CHECKED DMM 10-3-01  
 APPD DMM 10-3-01

PROCESS:    METHODS:    TITLE: OUTLINE UNIT STANDARD (IRON)  
 AA3G/118

SIZE:    CAGE CODE:    DWG NO:    SDD 19826

SCALE: 1/2    WEIGHT: SEE ABOVE    SHEET: 1 OF 1

IRON 3G-118 UNIT