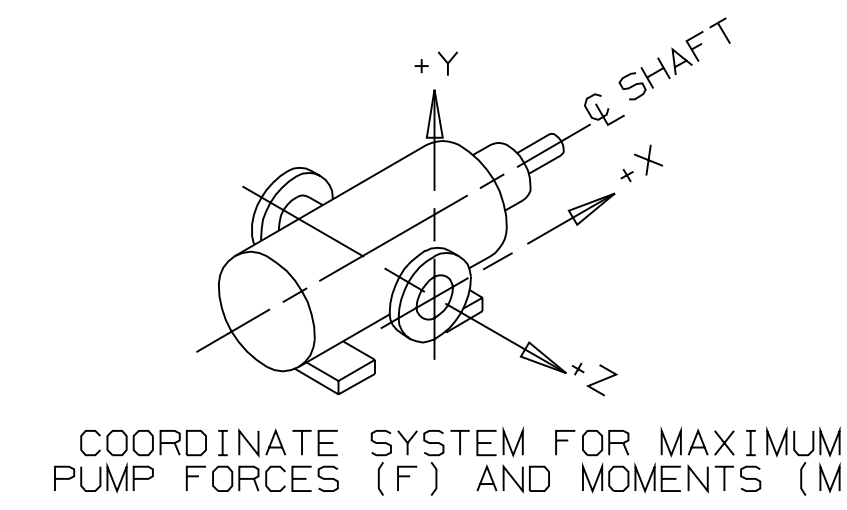


OPTIONAL PORT ADAPTERS



INLET:
 FX=37.5 LBF [167 N] MY=62.5 LB FT [84.7 N·m]
 FY=37.5 LBF [167 N] MZ=62.5 LB FT [84.7 N·m]
 FZ=37.5 LBF [167 N]

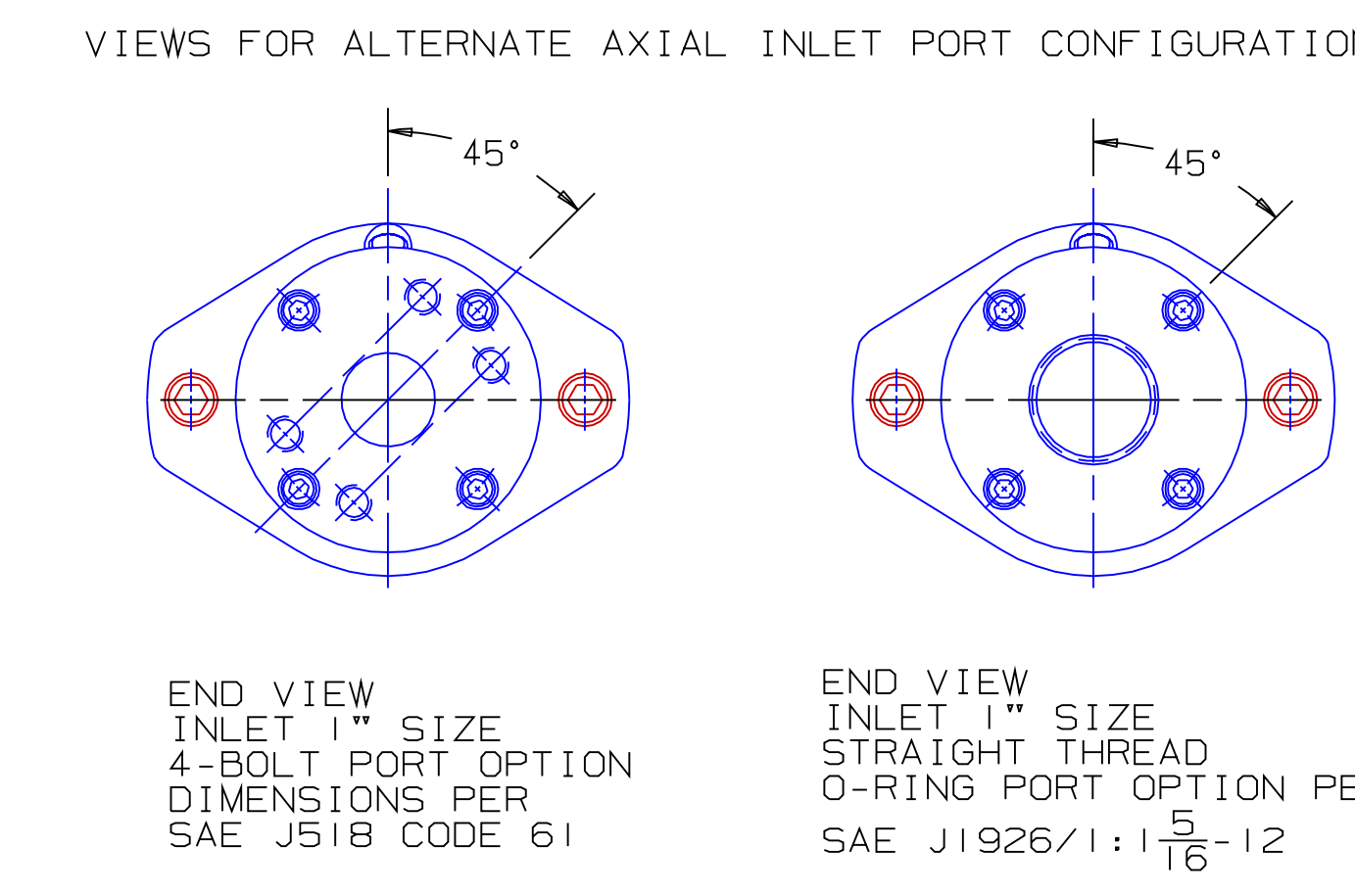
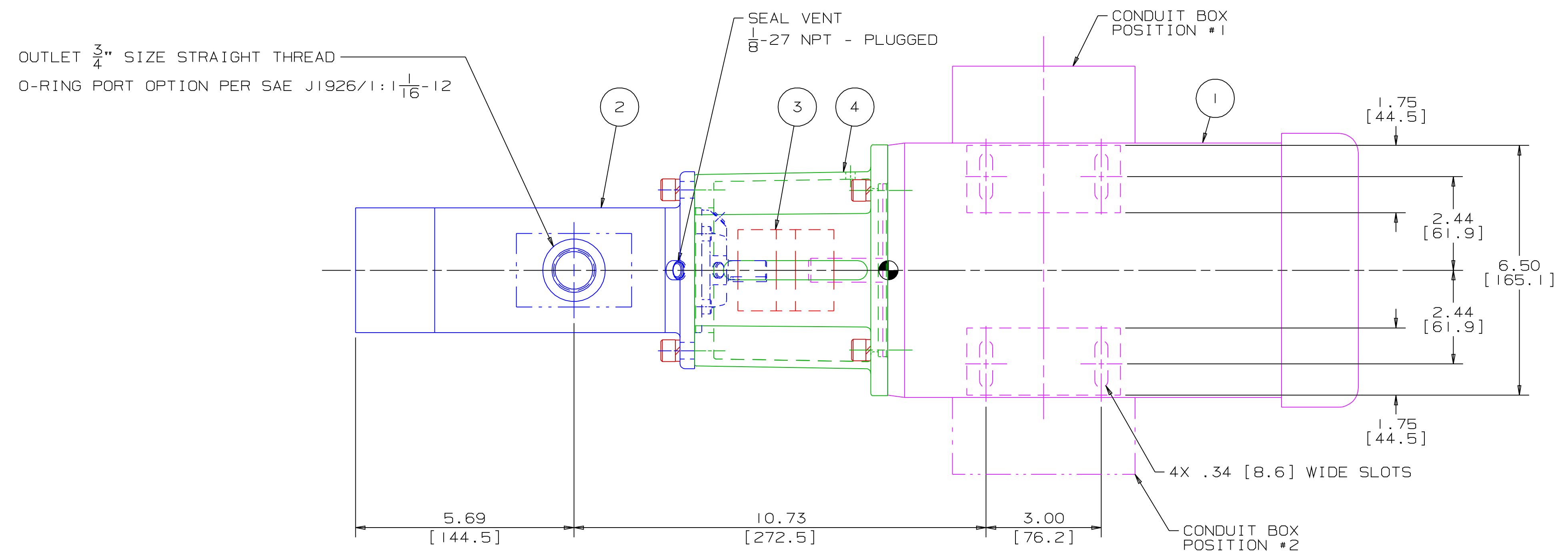
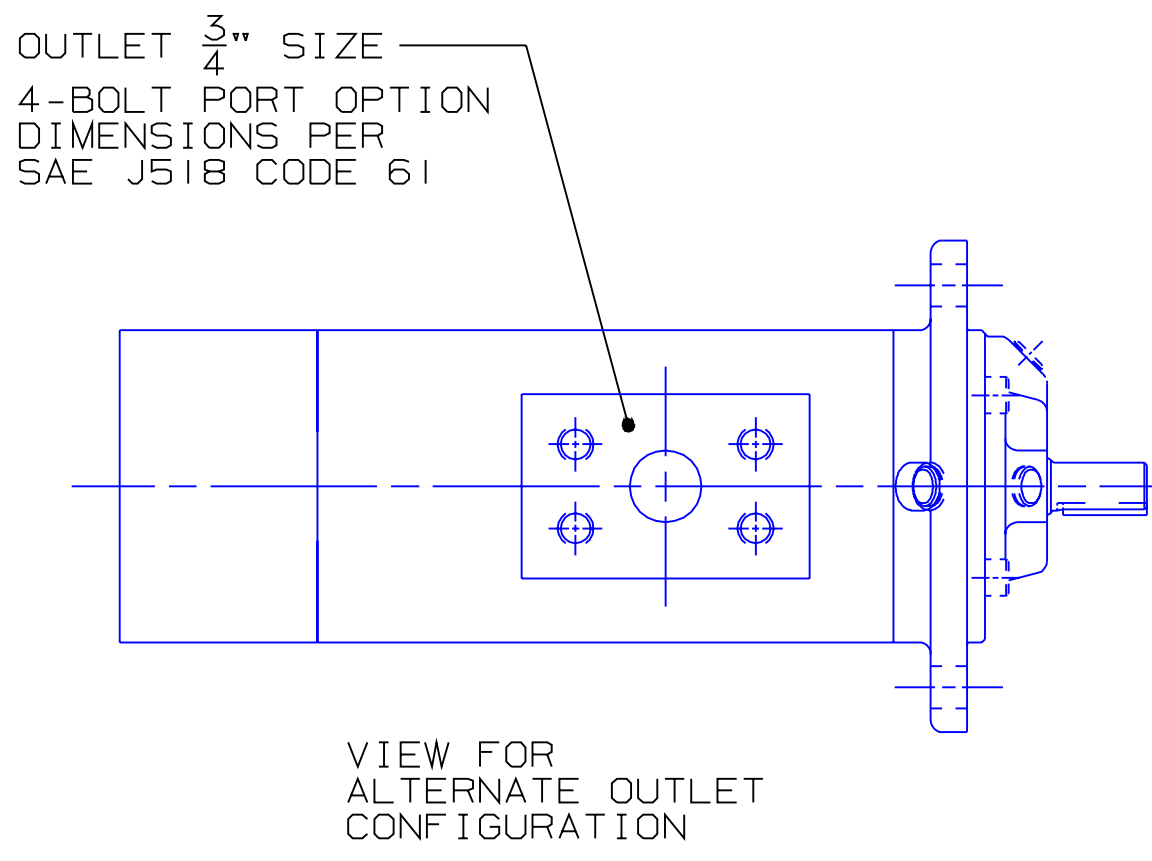
OUTLET:
 FX=28.1 LBF [125 N] MY=46.9 LB FT [63.6 N·m]
 FY=28.1 LBF [125 N] MZ=46.9 LB FT [63.6 N·m]
 FZ=28.1 LBF [125 N]

FORCE AND MOMENT VALUES ARE RELATIVE TO CENTER OF INLET AND OUTLET PORT FACES.

REVISION HISTORY					
CHG NO	ZONE	REV	DESCRIPTION	DATE	BY / APPROVED

ITEM	DESCRIPTION	APPROXIMATE WEIGHT		MATERIAL
		LBS	KILOGRAMS	
1	MOTOR * (56C)	25.0	11.3	
2	PUMP	18.0	8.2	
3	COUPLING, LOVEJOY L-095	1.8	0.8	
4	BRACKET	2.2	1.0	ALUMINUM
TOTAL		47.0	21.3	

* DRIVER DIMENSIONS MAY VARY WITH TYPE AND MAKE OF DRIVER



DRAWING CERTIFICATION

12 O'CLOCK
9 O'CLOCK
3 O'CLOCK
6 O'CLOCK
SEE NOTES 4 & 5

CUSTOMER NAME -----
 CUSTOMER PO NUMBER -----
 CUSTOMER PART NUMBER -----

UNIT BOM NUMBER -----

PUMP
 PUMP TYPE -----
 SHAFT ROTATION -----
 INLET PORT OPTION -----
 OUTLET PORT OPTION -----
 INLET PORT ORIENTATION -----
 OUTLET PORT ORIENTATION -----
 INLET ADAPTER OPTION -----
 OUTLET ADAPTER OPTION -----
 RELIEF VALVE SET PRESSURE, IF APPLICABLE -----

MOTOR
 MOTOR MANUFACTURER -----
 TYPE -----
 FRAME -----
 POWER -----
 ROTATING SPEED -----
 PHASE(S) -----
 FREQUENCY -----
 VOLTAGE -----
 CONDUIT BOX POSITION -----
 MOTOR INSTALLED BY -----

CERTIFIED BY -----
 IMO ORDER NUMBER -----
 CERTIFICATION DATE -----
 CERTIFICATION REV. NO. -----

NOTES:

- NOTES:
- UNLESS OTHERWISE SPECIFIED, ALL DIMENSIONS ARE IN INCHES. DIMENSIONS IN [] ARE MILLIMETERS.
 - THIS IS A STANDARD PRE-ENGINEERED UNIT OUTLINE. ANY CHANGES OUTSIDE OF THE CERTIFICATION BLOCK WILL REQUIRE A NEW DRAWING ASSIGNMENT.
 - APPROXIMATE WEIGHT AND ESTIMATED C/G DO NOT INCLUDE OPTIONAL ADAPTERS OR OPTIONAL RELIEF VALVE.
 - TO MAXIMIZE SEAL LIFE, SEAL VENT MUST BE ORIENTED UPWARD (12 O'CLOCK) WHEN PUMP IS INSTALLED HORIZONTALLY. VENT ORIENTATION IS NOT CRITICAL WHEN PUMP IS INSTALLED WITH SHAFT VERTICALLY UPWARD.
 - ALTERNATE PORT ORIENTATIONS ARE PROVIDED IF SPECIFIED ON ORDER. AVAILABLE ORIENTATIONS ARE 3,6,9, AND 12 O'CLOCK.

WEB ADDRESS: WWW.IMO-PUMP.COM EMAIL: IMO.PUMP@COLFAXCORP.COM

DRAWN	DMM 9-17-01
CHECKED	DMM 10-3-01
APPD	DMM 10-3-01
METHODS	

IMo Pump
1710 Airport Road
PO Box 5020
Monroe, NC USA
28111.5020

TITLE: OUTLINE UNIT STANDARD (IRON)
AA3G/095

NO. MILL PROJECTION	FIRST ORDER	SIZE	CAGE CODE	DWG NO.

SCALE: 1/2 WEIGHT: SEE ABOVE SHEET 1 OF 1

IRON 3G-095 UNIT