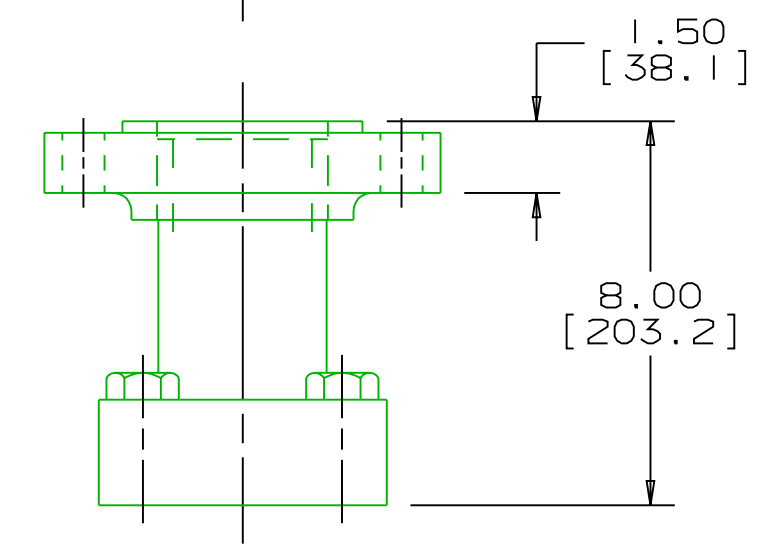
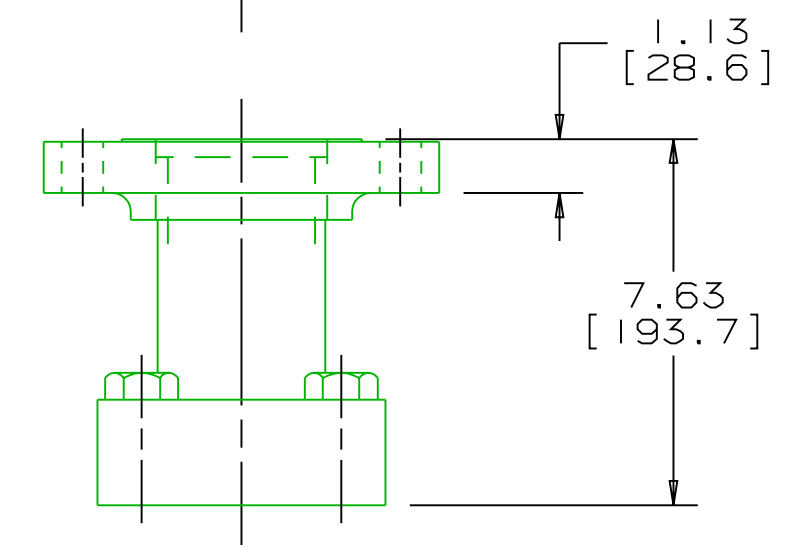
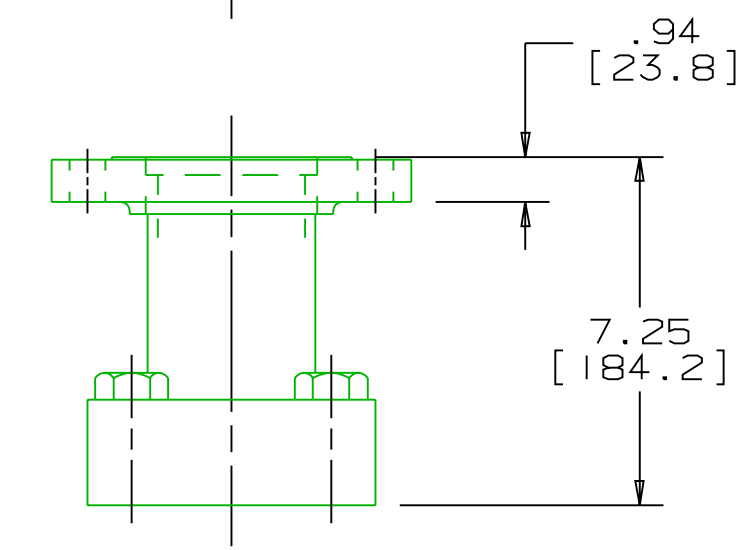
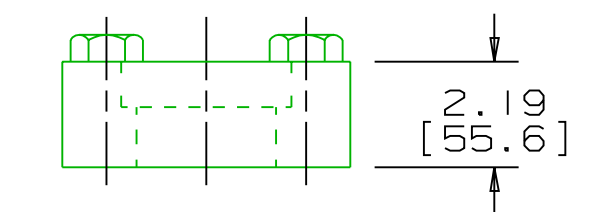
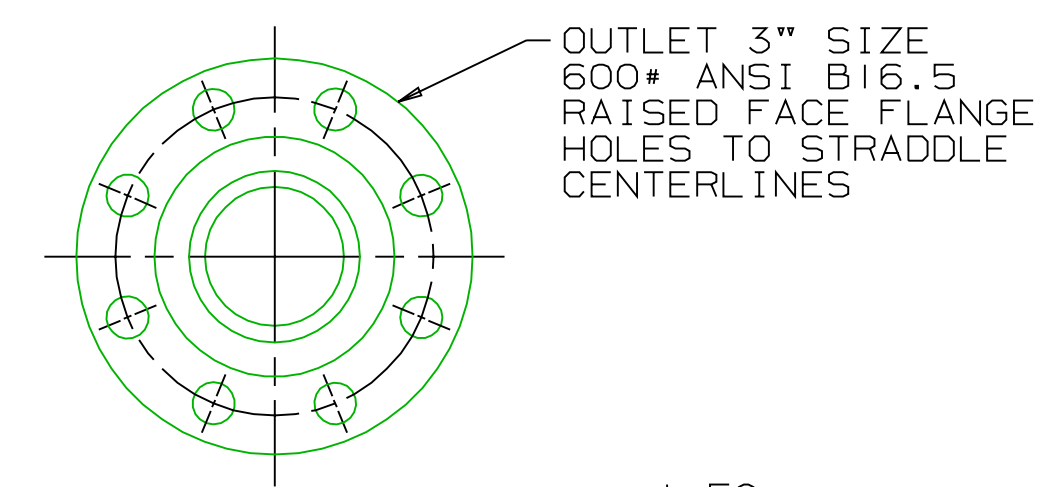
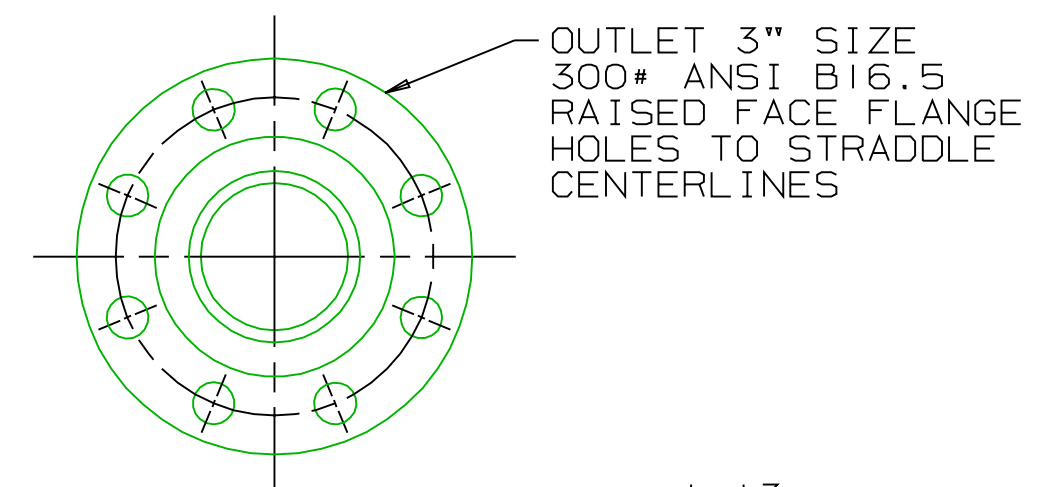
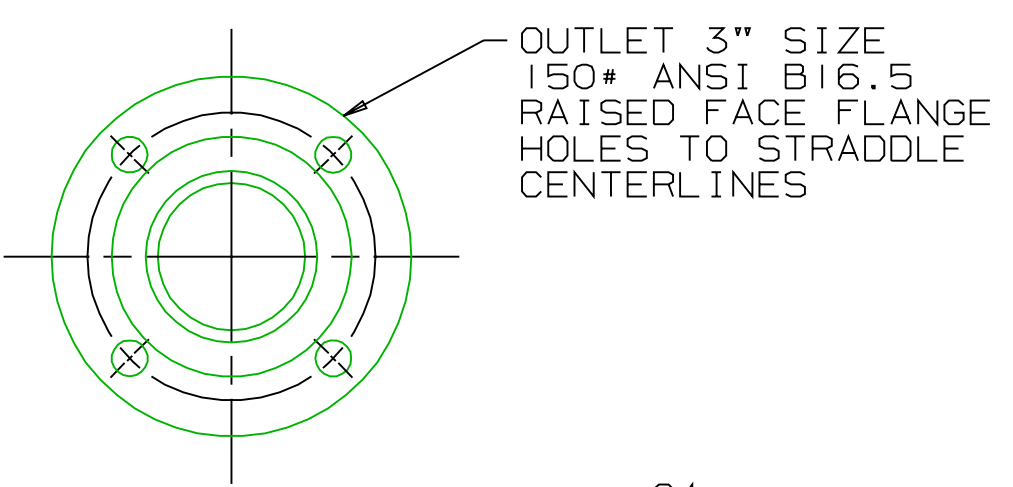
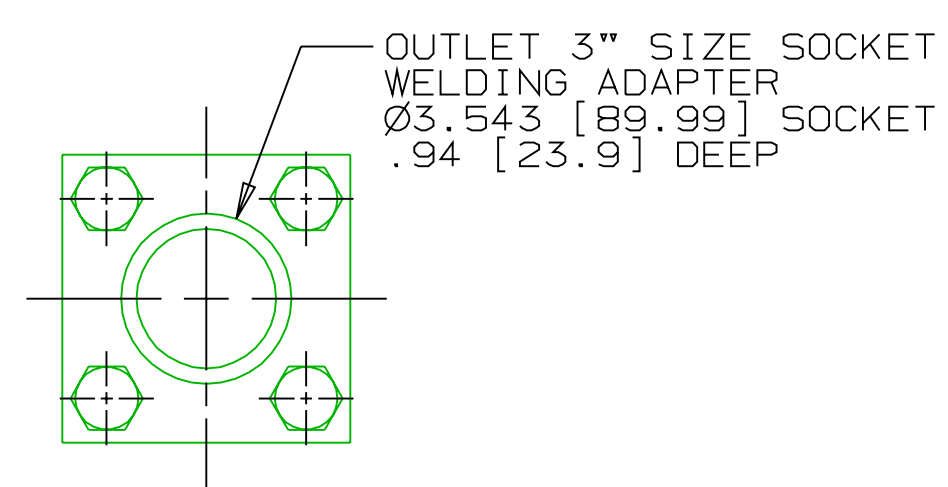


| REVISION HISTORY | | | | | |
|------------------|------|-----|---|----------|---------------|
| CHG NO | ZONE | REV | DESCRIPTION | DATE | BY / APPROVED |
| 00-00452 | ALL | 1 | REN'D RIBS ON PUMP CASE, CH'D "GENERIC" TO "STANDARD" | 10-18-00 | K ✓ ERH |
| 00-0579 | ALL | 2 | UPDATED TO CURRENT STANDARDS | 11-21-00 | DMM DMM |

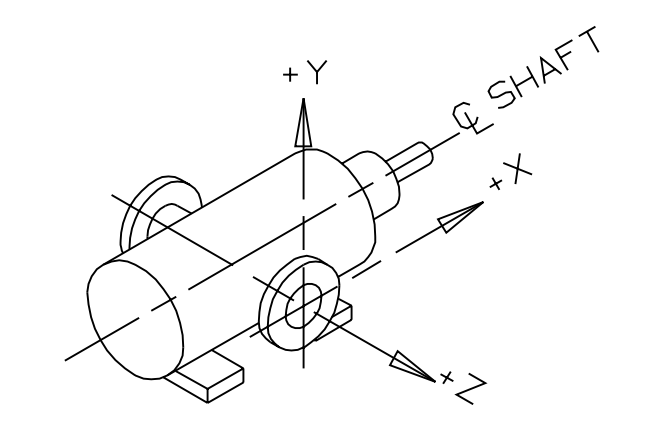


SOCKET WELDING OUTLET OPTION

150# RF OUTLET OPTION

300# RF OUTLET OPTION

600# RF OUTLET OPTION

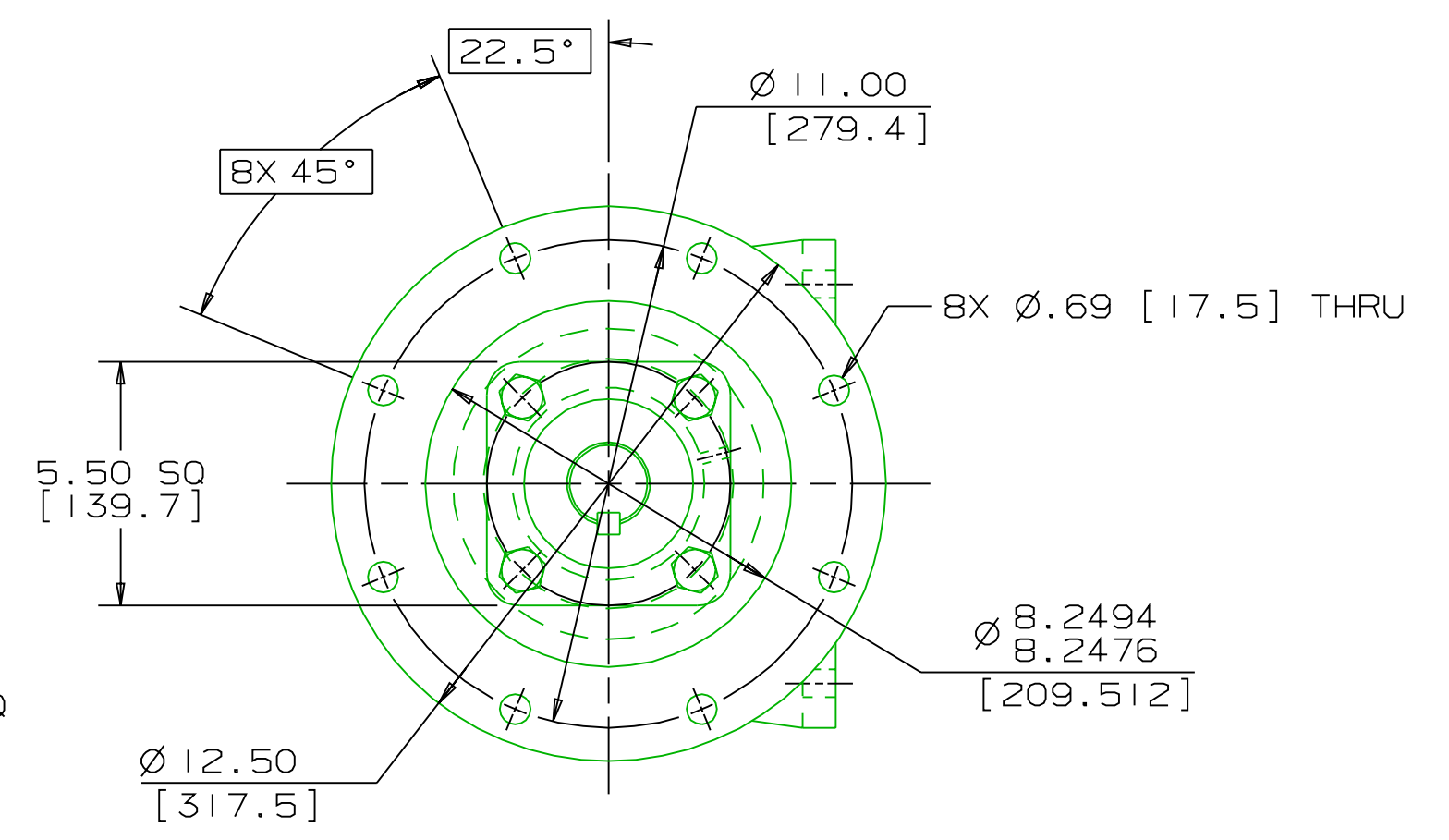
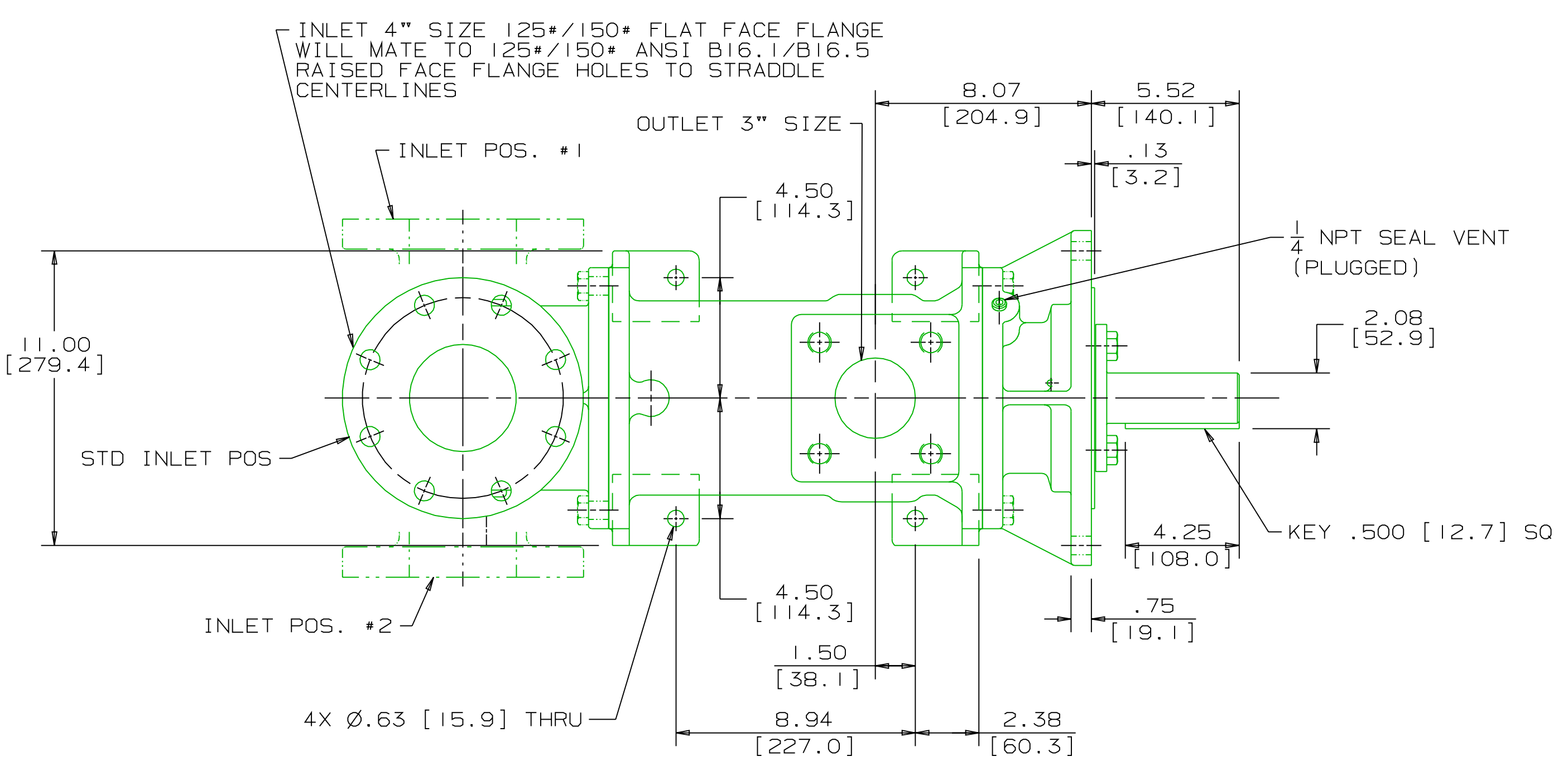


COORDINATE SYSTEM FOR MAXIMUM PUMP FORCES (F) AND MOMENTS (M)

INLET:
 FX=300 LBF [1330 N] MX= 500 LB FT [678 N·m]
 FY=300 LBF [1330 N] MY= 500 LB FT [678 N·m]
 FZ=300 LBF [1330 N] MZ= 500 LB FT [678 N·m]

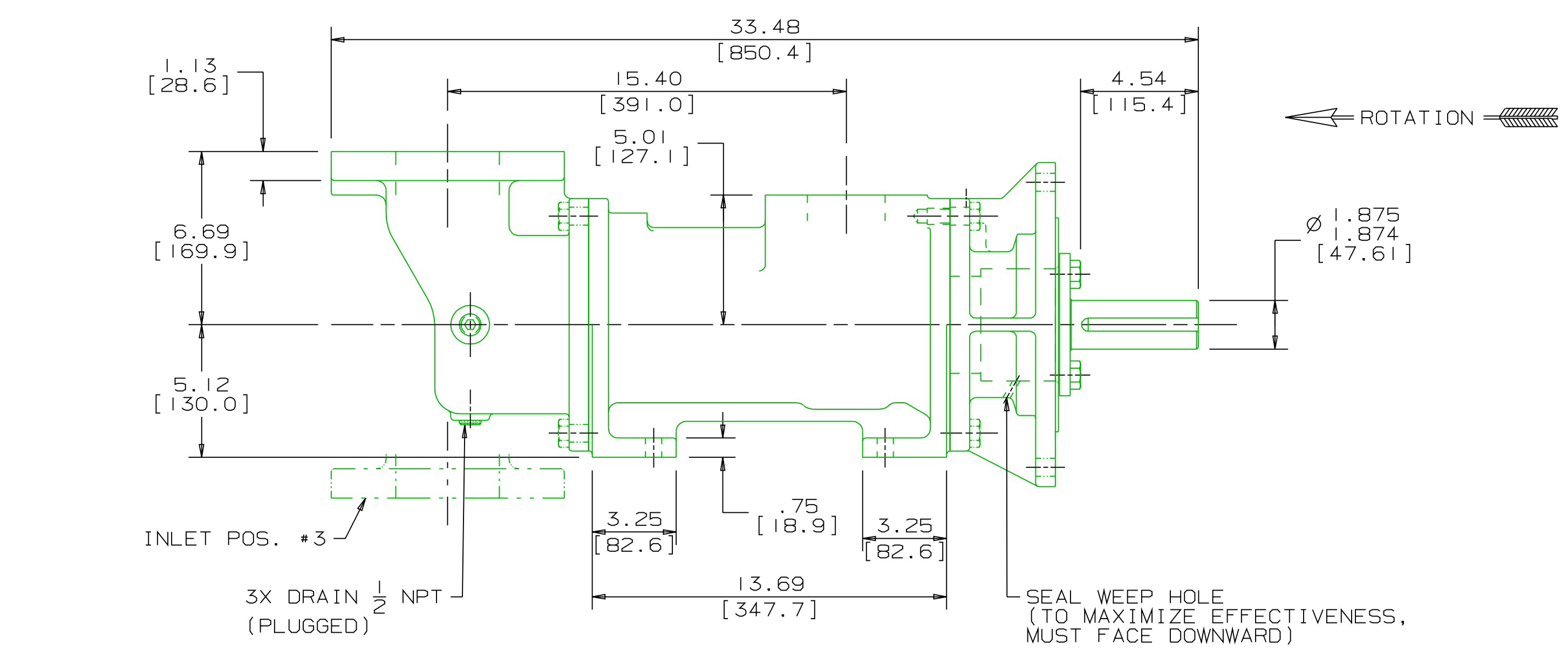
OUTLET:
 FX=225 LBF [1000 N] MX= 375 LB FT [508 N·m]
 FY=225 LBF [1000 N] MY= 375 LB FT [508 N·m]
 FZ=225 LBF [1000 N] MZ= 375 LB FT [508 N·m]

FORCE AND MOMENT VALUES ARE RELATIVE TO CENTER OF INLET AND OUTLET PORT FACES.



- NOTES:
- UNLESS OTHERWISE SPECIFIED, ALL DIMENSIONS ARE IN INCHES. DIMENSIONS IN [] ARE MILLIMETERS.
 - TO MAXIMIZE SEAL LIFE, SEAL VENT MUST BE ORIENTED UPWARD (12 O'CLOCK) WHEN PUMP IS INSTALLED HORIZONTALLY. THIS IS NORMAL VENT ORIENTATION WHEN PUMP FEET ARE ORIENTED DOWNWARD. SEAL VENT ORIENTATION IS NOT CRITICAL WHEN PUMP IS INSTALLED WITH SHAFT VERTICALLY UPWARD.
 - PORT, FOOT, AND SEAL VENT ORIENTATIONS ARE SUPPLIED AS SHOWN ON DRAWING UNLESS OTHERWISE SPECIFIED.
 - ALTERNATE INLET PORT POSITIONS ARE PROVIDED IF SPECIFIED ON ORDER. AVAILABLE POSITIONS ARE: STANDARD, POSITION #1, POSITION #2 OR POSITION #3. ALL INLET PORT POSITIONS ARE RELATIVE TO OUTLET PORT.
 - ESTIMATED WEIGHT (WITHOUT PORT ADAPTERS) 300 LBS [136.1 kg].

| DRAWING CERTIFICATION | |
|----------------------------|-------|
| CUSTOMER NAME | ----- |
| CUSTOMER PO NUMBER | ----- |
| CUSTOMER PART NUMBER | ----- |
| BOM NUMBER | ----- |
| PUMP TYPE | ----- |
| SHAFT ROTATION | ----- |
| INLET PORT POSITION | ----- |
| OUTLET PORT ADAPTER OPTION | ----- |
| OTHER INFORMATION | |
| CERTIFIED BY | ----- |
| CERTIFIED DATE | ----- |
| IMO ORDER NUMBER | ----- |
| DATA REVISION NUMBER | ----- |



FACE MOUNT, RIGHT ANGLE INLET
 STEEL 3D-275

WEB ADDRESS: WWW.IMO-PUMP.COM EMAIL: IMO.PUMP@COLFAXCORP.COM

DRAWN JTT03-01-99
 CHECKED MJC03-04-99
 APPD MJC03-04-99

PROCESS: _____
 METHODS: _____

COMMENTS:
 STANDARD ROTATION IS CLOCKWISE WHEN VIEWED FROM COUPLING END OF PUMP. SUCTION STRAINER AND DISCHARGE RELIEF VALVE MUST BE PROVIDED.
 ALIGNMENT:
 UNITS ARE ACCURATELY ALIGNED AT THE FACTORY. ALIGNMENT SHOULD BE CHECKED BEFORE STARTING TO ENSURE THAT IT IS STILL WITHIN .005 [0.13] F.W.
 PRESTARTING:
 FLUSH SUCTION PIPING BEFORE CONNECTING PUMP. PRIME AND VENT PUMP. DO NOT START PUMP WITH VALVES CLOSED. READ INSTRUCTION MANUAL FOR DETAILS BEFORE STARTING.

THIRD ANGLE PROJECTION

FIRST ORDER

SIZE D

CAGE CODE 59180

DWG NO SDD19637

USED ON 3217/1037A

SCALE 1/4

WEIGHT SEE NOTE 5

SHEET 1 OF 1

TITLE
OUTLINE STANDARD (STEEL)
G3D-CS-275

Imo Pump
 1710 Airport Road
 PO Box 5020
 Monroe, NC USA
 28111.5020