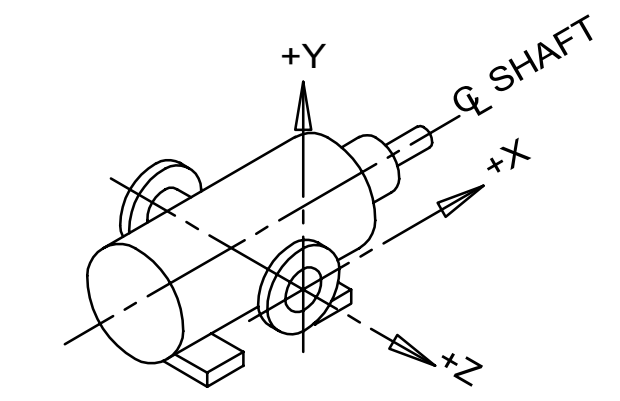
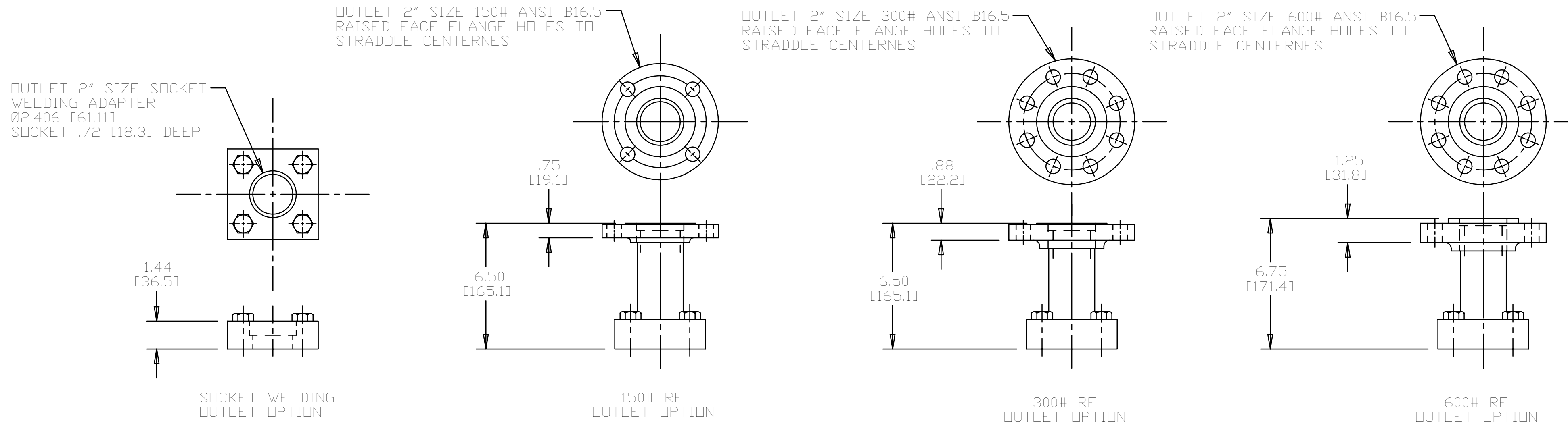


REVISION HISTORY					
CHG NO	ZONE	REV	DESCRIPTION	DATE	BY / APPROVED
08-0435	ALL	3	ADD STANDARD BLOCK	10-23-08	ERH / ERH

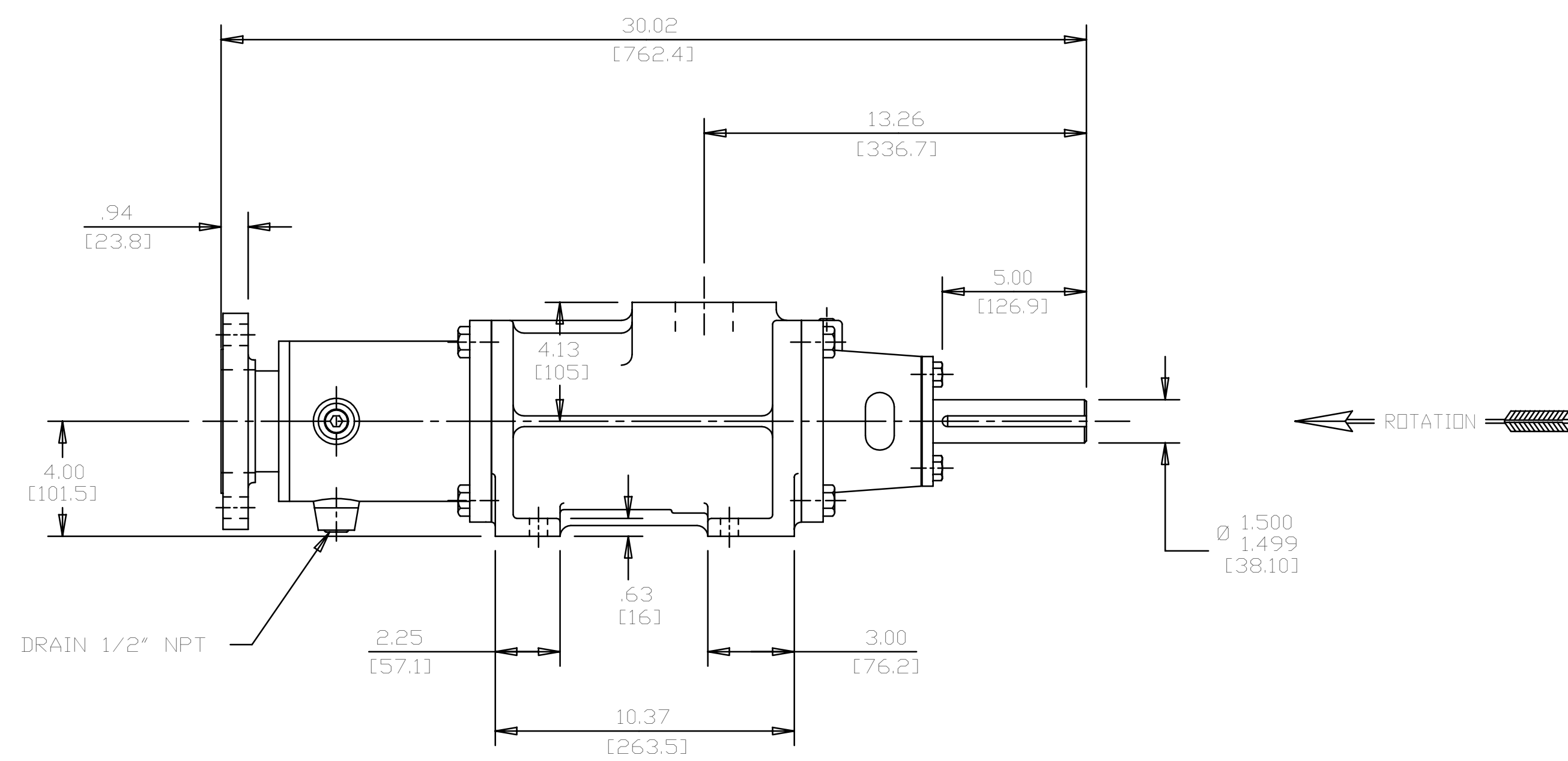
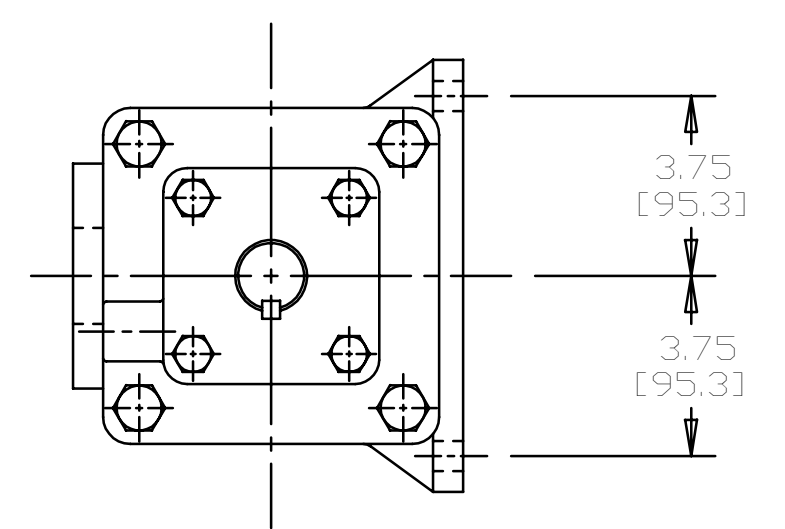
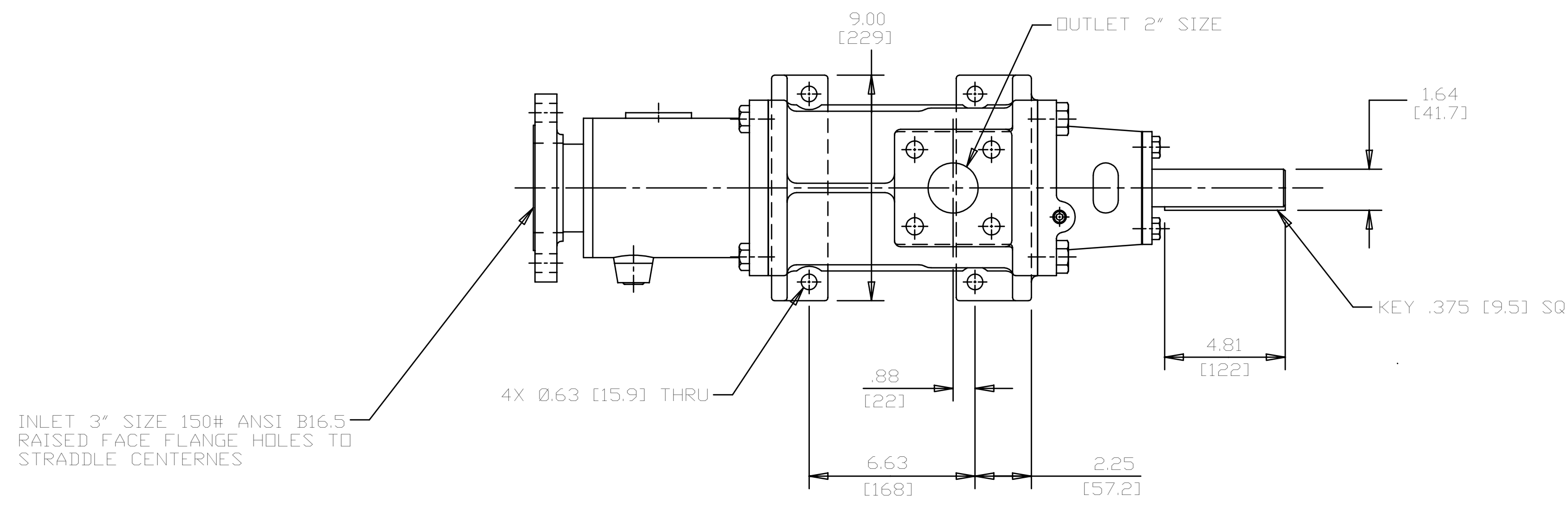


COORDINATE SYSTEM FOR MAXIMUM PUMP FORCES (F) AND MOMENTS (M)

INLET:
 FX= 225 LBF [1000 N] MX= 375 LB FT [508 N.m]
 FY= 225 LBF [1000 N] MY= 375 LB FT [508 N.m]
 FZ= 225 LBF [1000 N] MZ= 375 LB FT [508 N.m]

OUTLET:
 FX= 150 LBF [667 N] MX= 250 LB FT [339 N.m]
 FY= 150 LBF [667 N] MY= 250 LB FT [339 N.m]
 FZ= 150 LBF [667 N] MZ= 250 LB FT [339 N.m]

FORCE AND MOMENT VALUES ARE RELATIVE TO CENTER OF INLET AND OUTLET PORT FACES.



- NOTES:
- UNLESS OTHERWISE SPECIFIED, ALL DIMENSIONS ARE IN INCHES. DIMENSIONS IN [] ARE MILLIMETERS.
 - TO MAXIMIZE SEAL LIFE, SEAL VENT MUST BE ORIENTED UPWARD (12 O'CLOCK) WHEN PUMP IS INSTALLED HORIZONTALLY. THIS IS NORMAL VENT ORIENTATION WHEN PUMP FEET ARE ORIENTED DOWNWARD. SEAL VENT ORIENTATION IS NOT CRITICAL WHEN PUMP IS INSTALLED WITH SHAFT VERTICALLY UPWARD.
 - PORT, FOOT, AND SEAL VENT ORIENTATIONS ARE SUPPLIED AS SHOWN ON DRAWING UNLESS OTHERWISE SPECIFIED.

DRAWING CERTIFICATION	
CUSTOMER NAME	-----
CUSTOMER PO NUMBER	-----
CUSTOMER PART NUMBER	-----
BOM NUMBER	-----
PUMP TYPE	-----
SHAFT ROTATION	-----
OUTLET ADAPTER	-----
OTHER INFORMATION	
CERTIFIED BY	-----
CERTIFIED DATE	-----
IMO ORDER NUMBER	-----
DATA REVISION NUMBER	-----

DRAWN	WLW	10-25-94	 IMO Pump 1710 Airport Road PO Box 5020 Monroe, NC USA 28111.5020	TITLE	OUTLINE STANDARD G3D_RS_-218	
CHECKED	MJC	10-27-94		SIZE	D	
APPD	MJC	10-27-94		CAGE CODE	59180	
MATERIAL			FIRST ORDER	093331	DWG NO	SDD17745
PROCESS			USED ON	3212/164	SCALE	1/4
UNLESS OTHERWISE SPECIFIED ANSI Y14.5M-1994 COMMENTS: SUCTION STRAINER AND DISCHARGE RELIEF VALVE MUST BE PROVIDED. ALIGNMENT: UNITS ARE ACCURATELY ALIGNED AT THE FACTORY. ALIGNMENT SHOULD BE CHECKED BEFORE STARTING TO ENSURE THAT IT IS STILL WITHIN .005 (0.13) MM. PRESTARTING: FLUSH SUCTION PIPING BEFORE CONNECTING PUMP. PRIME AND VENT PUMP. READ INSTRUCTION MANUAL FOR DETAILS BEFORE STARTING.			WEIGHT	154 LBS [69.8kg]	SHEET	1 OF 1