

Opti Line: The Optimal Solution for Extreme Duty Applications

Colfacts

Colfax Americas

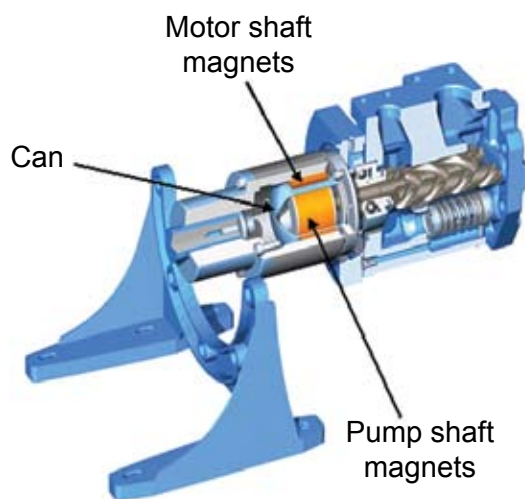
Colfax Americas introduces the Opti Line series of magnetically driven positive displacement 3-Screw pumps to North America.

Applications include:

- Lubrication
- Circulation
- Transfer
- Fuel Forwarding

How does it work?

The magnetic coupling transfers torque from one shaft to another without any mechanical contact, through magnetic forces by use of permanent magnets.



Operating Capabilities:


- Flow rates to 42 gpm in the ACE Series
- Flow rates to 300 gpm in the ACG Series
- Typical pump discharge pressure to 230 psig
- Fluid viscosities from 1.6 to 1500 cSt


All magnetic couplings need cooling, but in the Opti Line design:

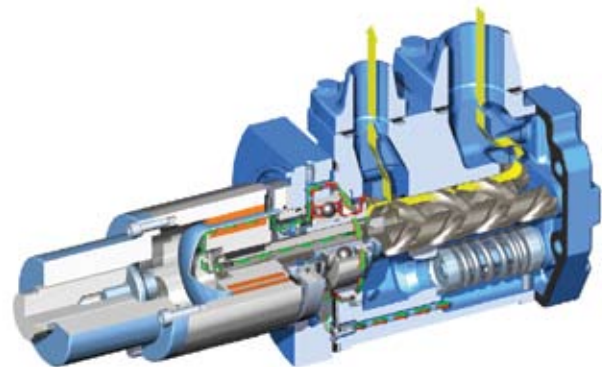
No external cooling source is required, because a fraction of the main flow is used for

- Cooling of the coupling
- Lubrication of the bearing

Flow patterns

Main flow 

Cooling of magnetic coupling 



Colfax
Corporation


ALLWEILER®


HOUTTUIN™


Imo®
Pump


ISC
Lubrication
Systems
Company


Portland Valve


TUSHACO
PUMPS


Worren®
Pumps


Zenith®
Pumps

© 2007 Colfax Corporation
All Rights Reserved
COLFACT OPT-01/07

Opti Line:

The Optimal Solution for Extreme Duty Applications

Colfacts

Colfax Americas

Why an Opti Line?

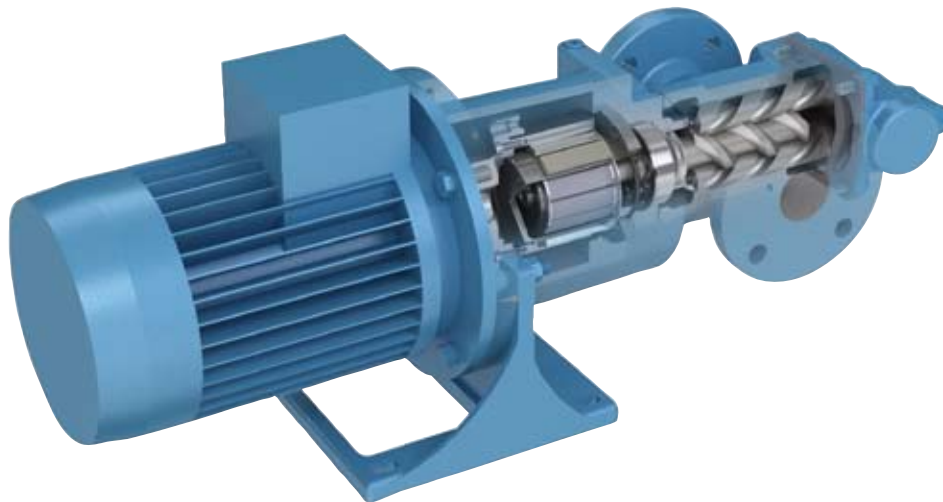
For use in severe applications where there is:

- Poor fluid quality
- High fluid temperature
- High viscosity liquids

Why jeopardize the function of a traditional mechanical shaft seal, which could result in oil leakage?

Opti Line Benefits include:

- Leak free operation
- Drastic reduction in maintenance cost
- Reduced spare parts cost
- Environmentally friendly
- Low noise
- Compact design
- Optimal solution for extreme duty



Colfax Americas

PO Box 5020 (28111-5020)

1710 Airport Road

Monroe, NC 28110 USA

Phone: 704-289-6511

Fax: 704-289-9273

E-mail: imo.pump@colfaxcorp.com

Internet: www.imopump.com

Colfax
Corporation



ALLWEILER®



HOUTTUIN™



Imo Pump



LSC Lubrication Systems Company



Portland Valve



TUSHACO PUMPS



Werner Pumps



Zenith Pumps

© 2007 Colfax Corporation
All Rights Reserved
COLFACT OPT-01/07