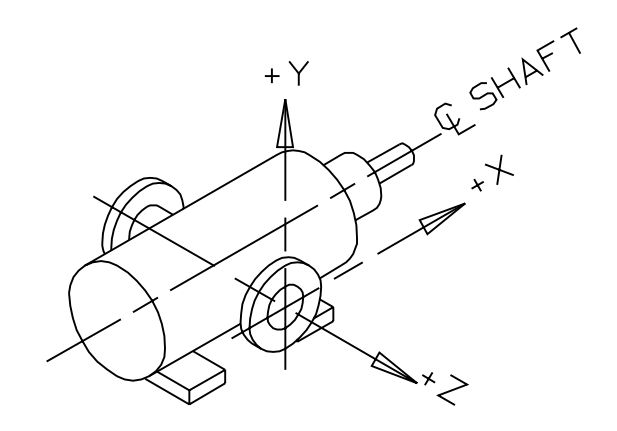
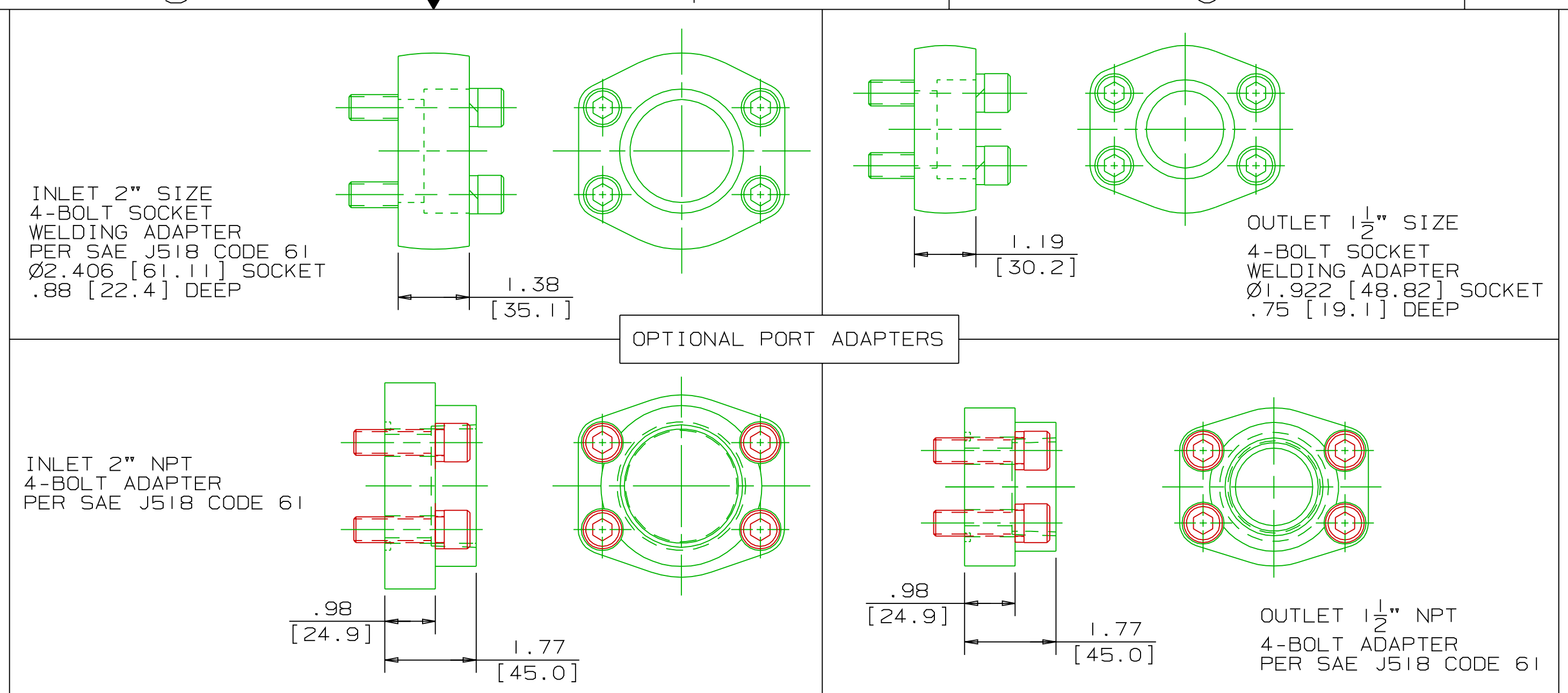


REVISION HISTORY					
CHG NO	ZONE	REV	DESCRIPTION	DATE	BY / APPROVED
06-0052	C	7	ADDED 1/8-27 NPT DRAIN HOLES	02-01-06	BMR / BMR

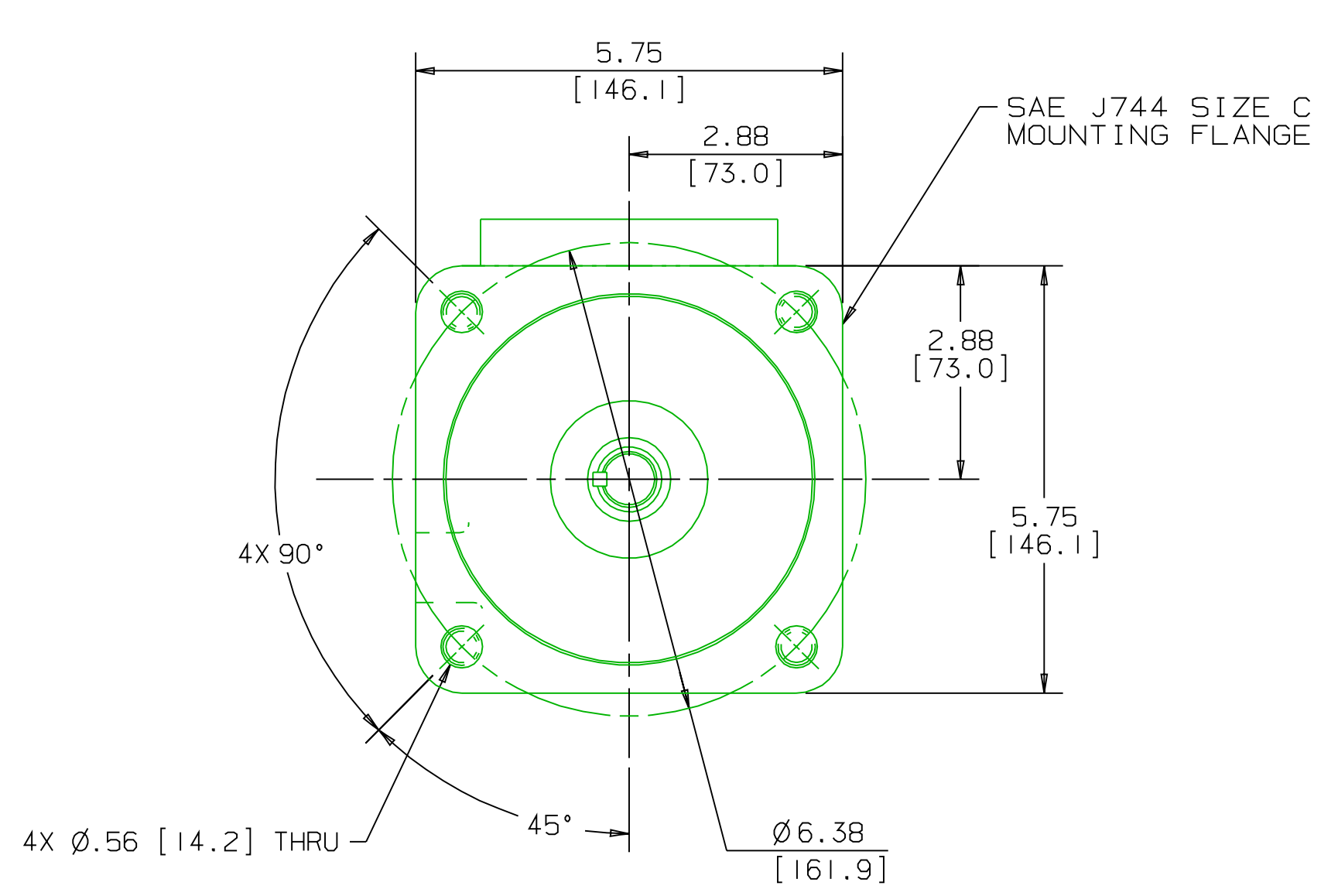
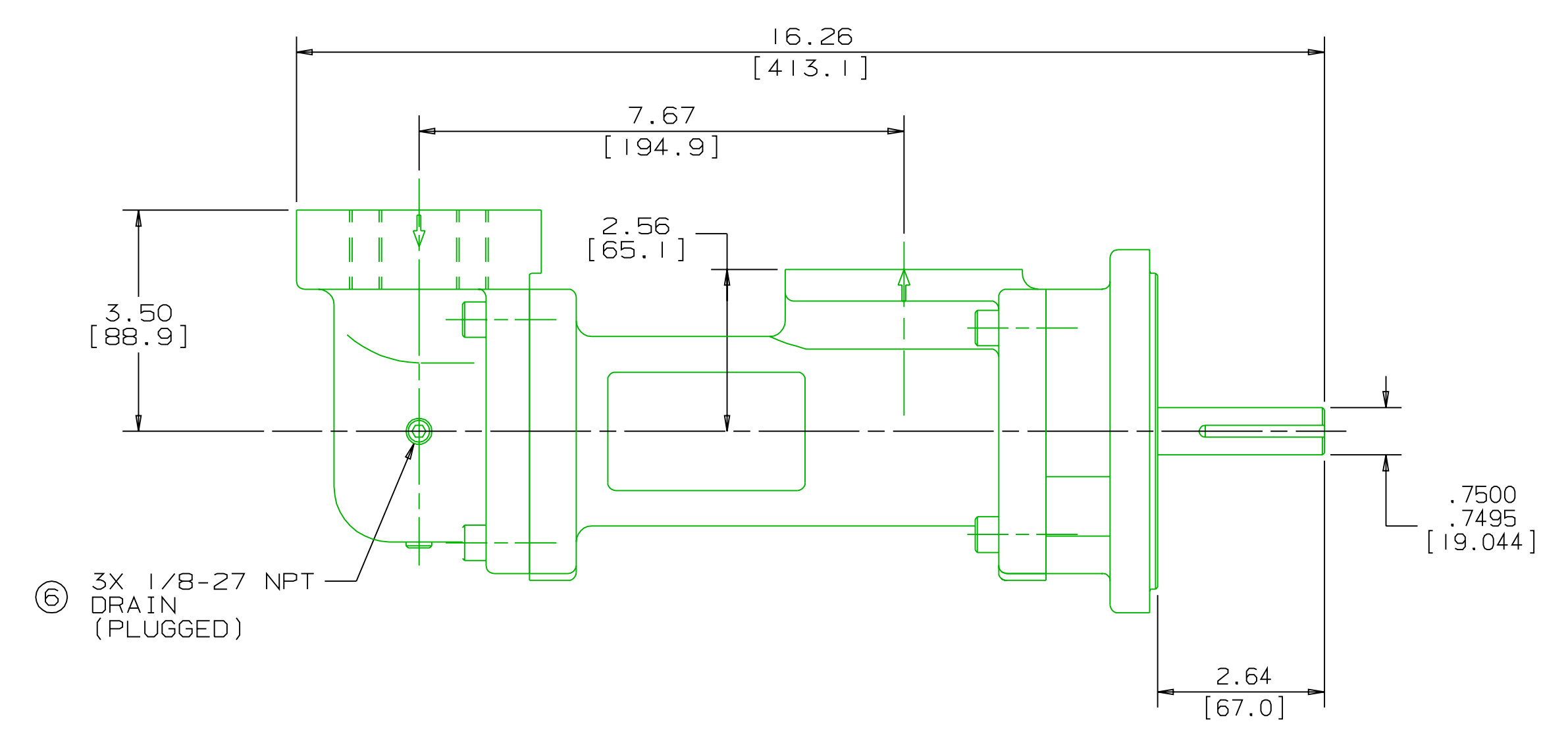
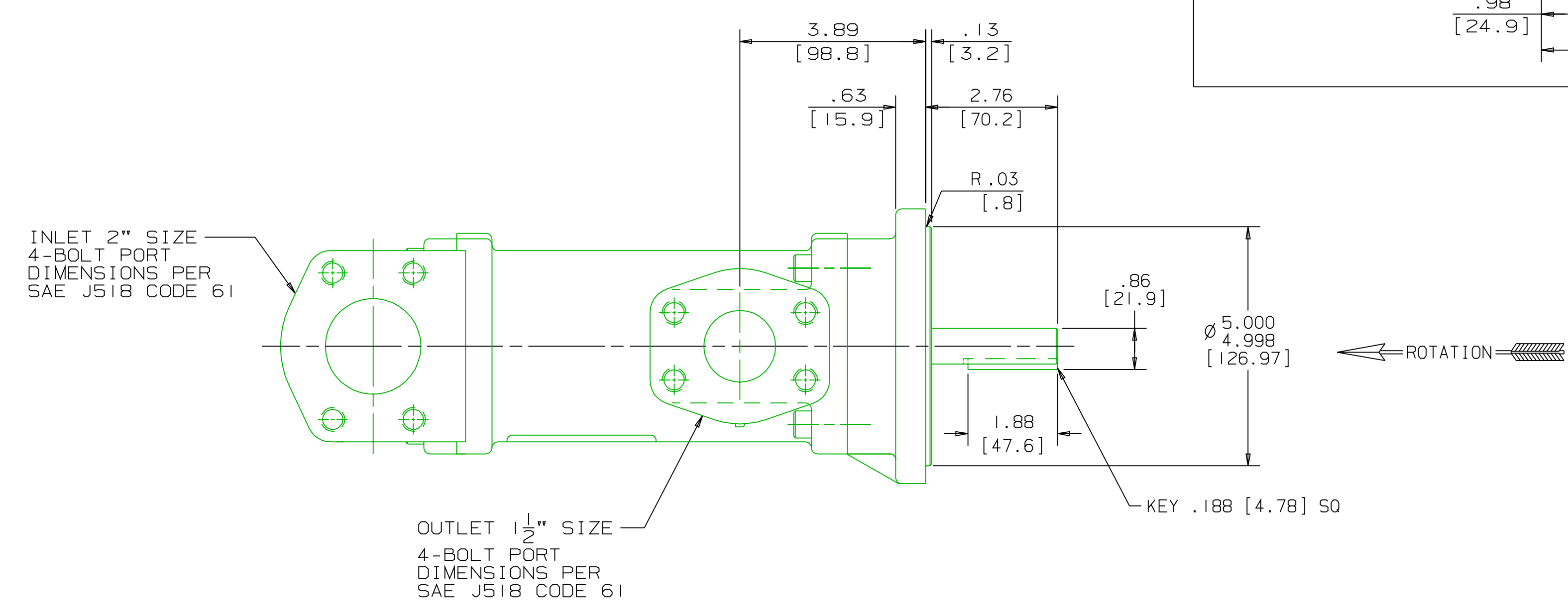


COORDINATE SYSTEM FOR MAXIMUM PUMP FORCES (F) AND MOMENTS (M)

INLET:  
 FX=150 LBF[667 N]    MX=250 LB FT[339 N·m]  
 FY=150 LBF[667 N]    MY=250 LB FT[339 N·m]  
 FZ=150 LBF[667 N]    MZ=250 LB FT[339 N·m]

OUTLET:  
 FX=113 LBF[500 N]    MX=188 LB FT[254 N·m]  
 FY=113 LBF[500 N]    MY=188 LB FT[254 N·m]  
 FZ=113 LBF[500 N]    MZ=188 LB FT[254 N·m]

FORCE AND MOMENT VALUES ARE RELATIVE TO CENTER OF INLET AND OUTLET PORT FACES.



DRAWING CERTIFICATION

12 O'CLOCK - OUTLET PORT

9 O'CLOCK - SHAFT

3 O'CLOCK

6 O'CLOCK

...SEE NOTES 1, 2 & 3...

CUSTOMER NAME -----

CUSTOMER PO NUMBER -----

CUSTOMER PART NUMBER -----

BOM NUMBER -----

PUMP TYPE -----

SHAFT ROTATION -----

INLET PORT ORIENTATION -----

INLET PORT OPTION -----

INLET ADAPTER OPTION -----

OUTLET ADAPTER OPTION -----

OTHER INFORMATION

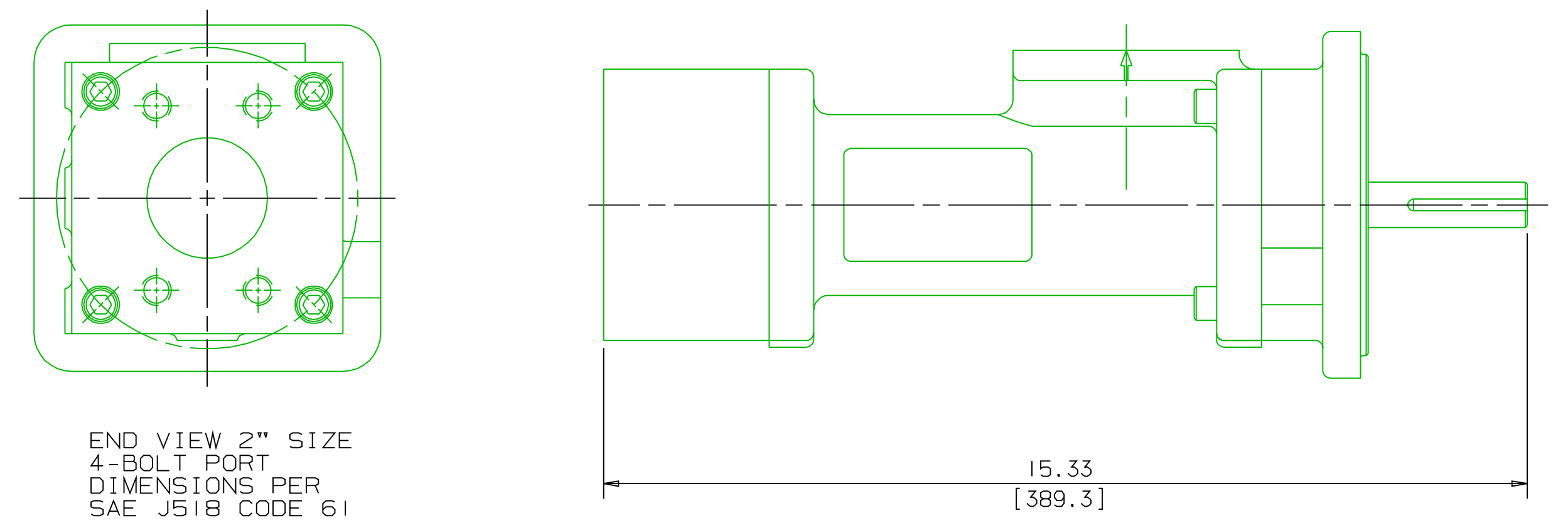
CERTIFIED BY -----

CERTIFIED DATE -----

IMO ORDER NUMBER -----

DATA REVISION NUMBER -----

VIEWS FOR ALTERNATE AXIAL INLET PORT CONFIGURATION



- NOTES:
1. PORT ORIENTATIONS SUPPLIED AS SHOWN UNLESS OTHERWISE SPECIFIED.
  2. ALTERNATE RADIAL INLET PORT ORIENTATIONS PROVIDED IF SPECIFIED ON ORDER. AVAILABLE ALTERNATE ORIENTATIONS ARE 3, 6, 9, AND 12 O'CLOCK RELATIVE TO OUTLET PORT.
  3. BOLT PATTERN FOR SAE 4-BOLT AXIAL INLET IS ALWAYS ORIENTED AS SHOWN WITH RESPECT TO OUTLET PORT.
  4. APPROXIMATE PUMP WEIGHT(WITHOUT ADAPTERS): 41.3 LBS. [18.8 kgs]
  5. UNLESS OTHERWISE SPECIFIED, ALL DIMENSIONS ARE IN INCHES. DIMENSIONS IN [ ] ARE MILLIMETERS.

WEB ADDRESS: WWW. IMO-PUMP.COM		EMAIL: IMO.PUMP@COLFAXCORP.COM	
DRAWN	COH 6-10-99	Imo Pump 1710 Airport Road PO Box 5020 Monroe, NC USA 28111.5020	
CHECKED	NRS 7-20-99		
APPROD	NRS 7-20-99		
PROCESS		TITLE OUTLINE STANDARD (STEEL) AA3G/NNS IA [143, 162]	
COMMENTS: SUCTION, STRAINER AND DISCHARGE RELIEF VALVES MUST BE PROVIDED. ALIGNMENT: UNITS ARE ACCURATELY ALIGNED AT THE FACTORY. ALIGNMENT SHOULD BE CHECKED BEFORE STARTING TO ENSURE THAT IT IS STILL WITHIN .005 (0.13) FIT. PRESTARTING: FLUSH FACTORY PIPING BEFORE CONNECTING PUMP. PRIME AND VENT PUMP HEAD INSTRUCTION MANUAL FOR DETAILS BEFORE STARTING.		SIZE 59180	DWG NO SDD19720
MATERIAL		SCALE 1/2	WEIGHT 44 LBS [20kg]
USED ON		SHEET 1 OF 1	