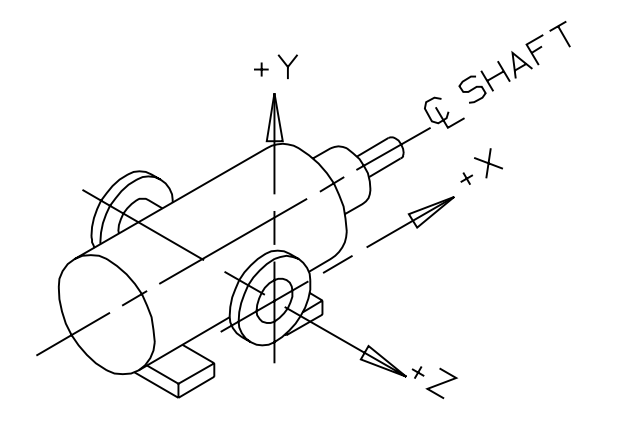
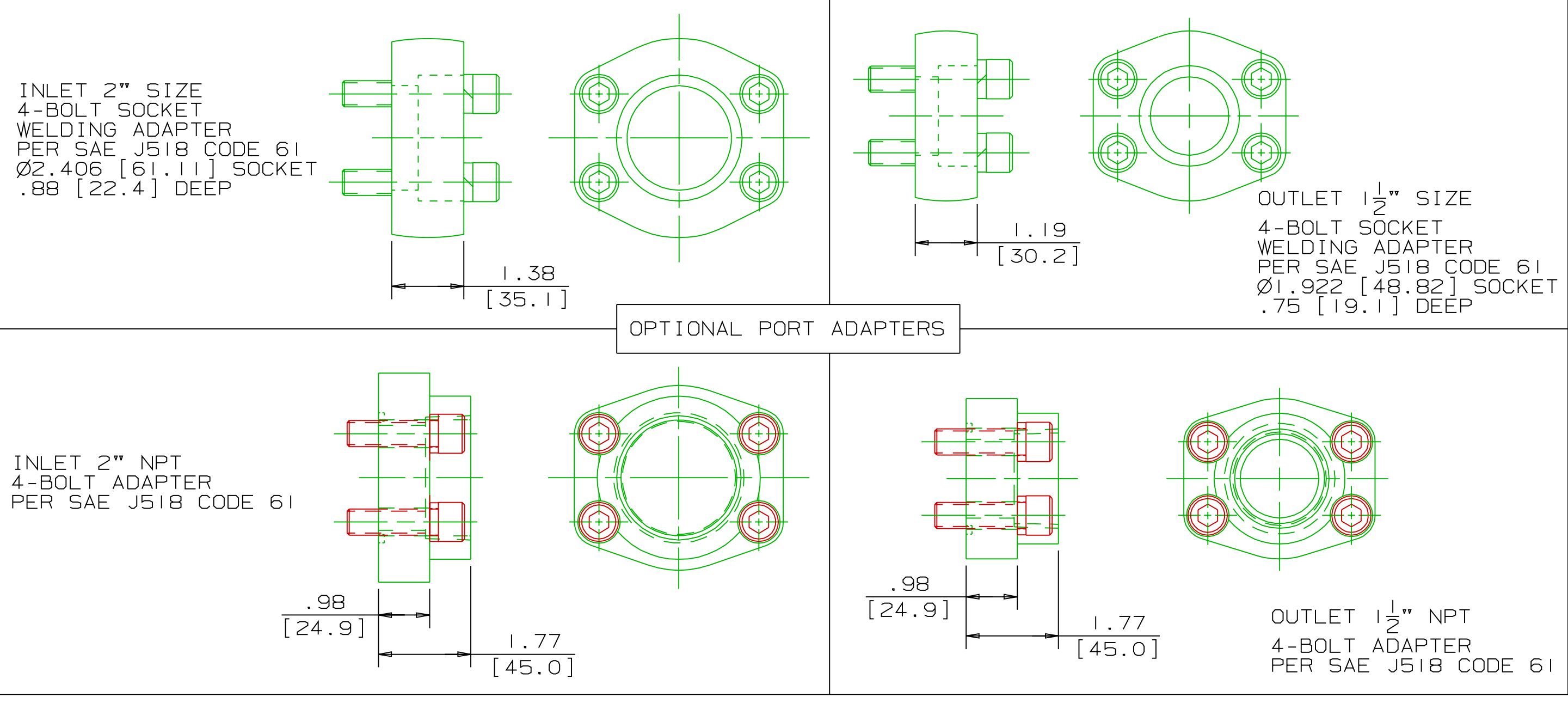
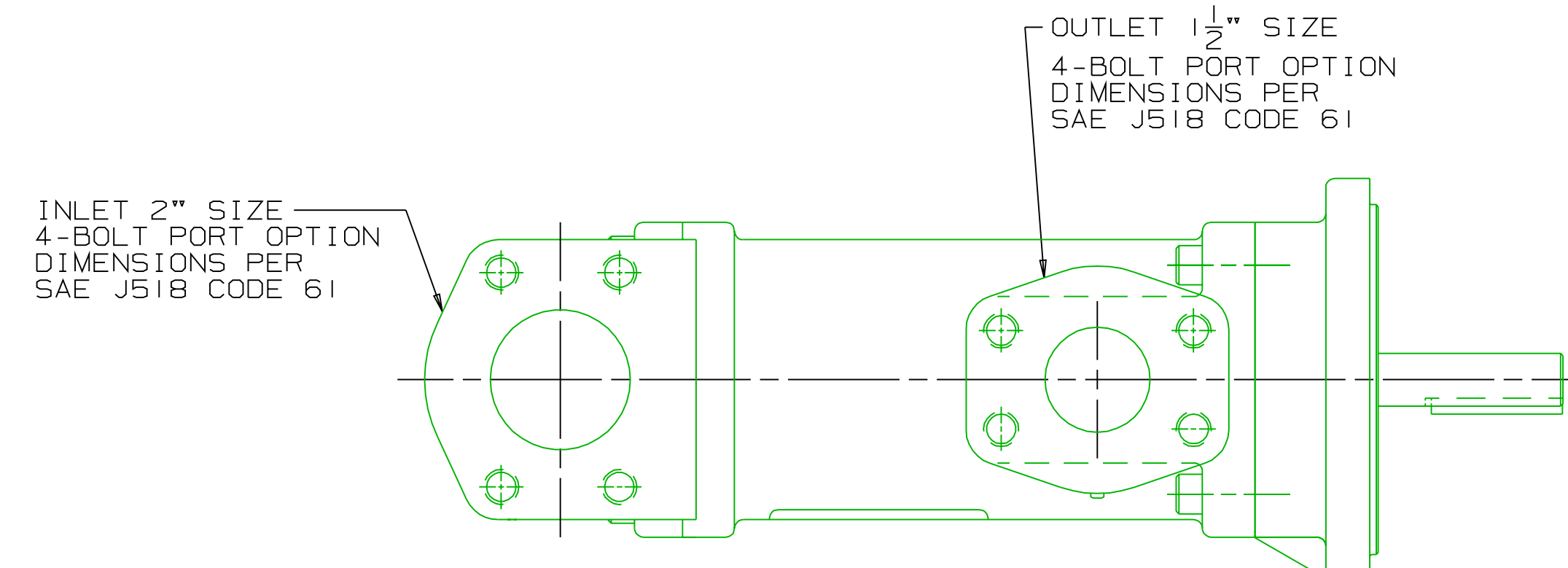


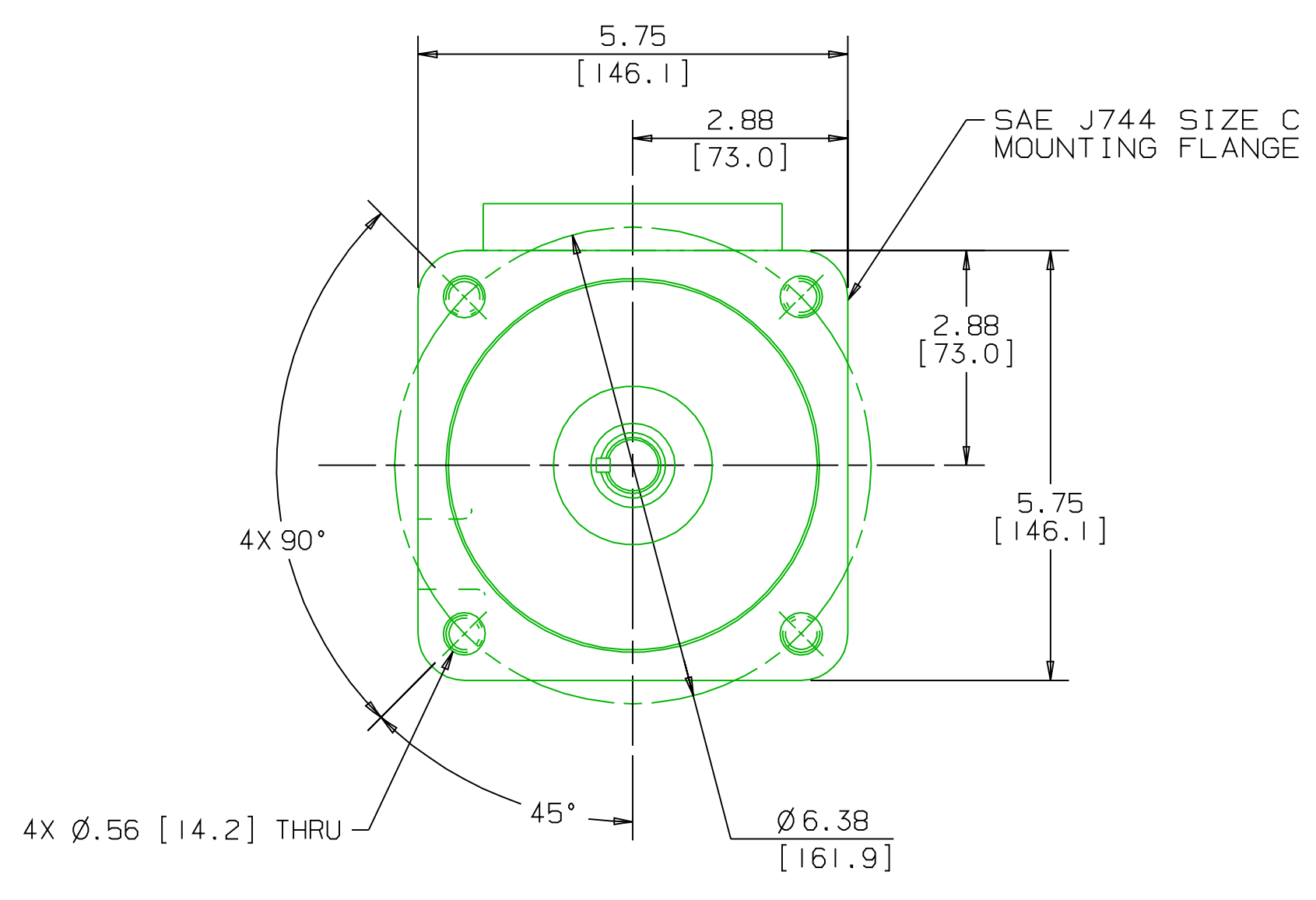
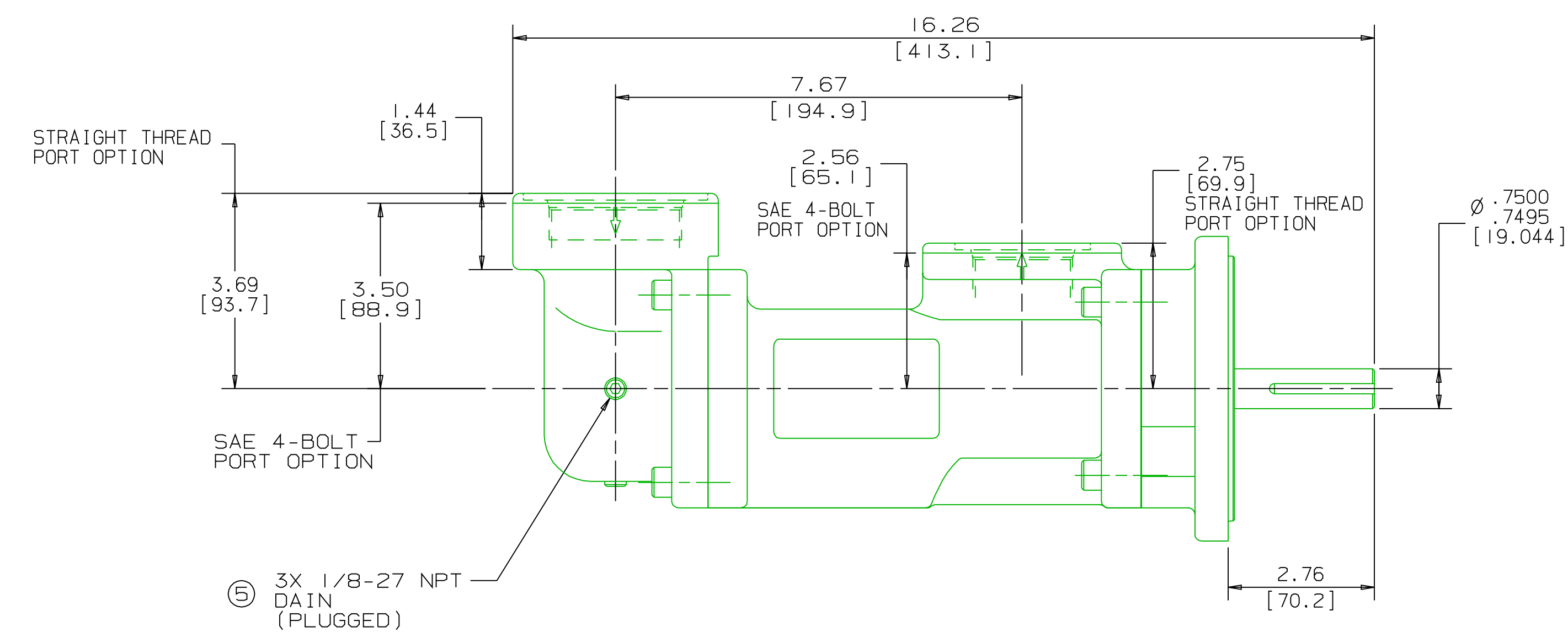
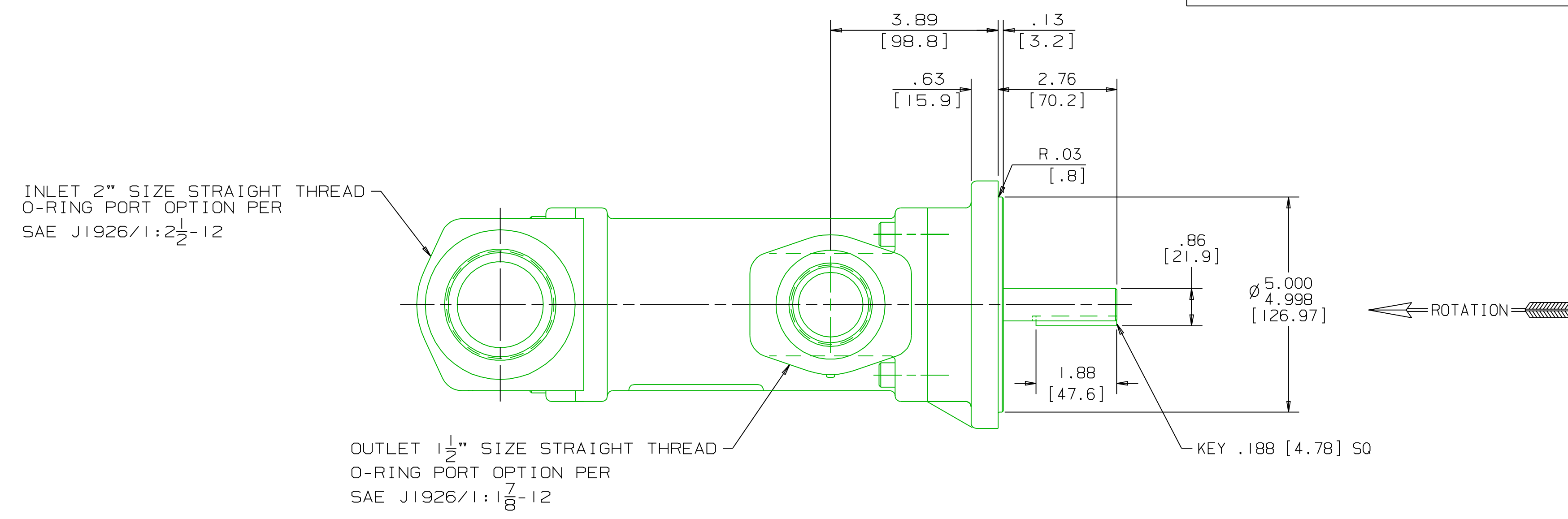
REVISION HISTORY					
CHG NO	ZONE	REV	DESCRIPTION	DATE	BY / APPROVED
06-0052	C	7	05 ADDED 1/8-27 NPT DRAIN HOLES	02-01-06	BMR / BMR



INLET:
 FX=150 LBF [667 N] MX=250 LB FT [339 N·m]
 FY=150 LBF [667 N] MY=250 LB FT [339 N·m]
 FZ=150 LBF [667 N] MZ=250 LB FT [339 N·m]

OUTLET:
 FX=113 LBF [500 N] MX=188 LB FT [254 N·m]
 FY=113 LBF [500 N] MY=188 LB FT [254 N·m]
 FZ=113 LBF [500 N] MZ=188 LB FT [254 N·m]

FORCE AND MOMENT VALUES ARE RELATIVE TO CENTER OF INLET AND OUTLET PORT FACES.



DRAWING CERTIFICATION

12 O'CLOCK OUTLET PORT

9 O'CLOCK SHAFT

6 O'CLOCK

3 O'CLOCK

...SEE NOTES 1, 2 & 3...

CUSTOMER NAME -----

CUSTOMER PO NUMBER -----

CUSTOMER PART NUMBER -----

BOM NUMBER -----

PUMP TYPE -----

SHAFT ROTATION -----

INLET PORT ORIENTATION -----

INLET PORT OPTION -----

INLET ADAPTER OPTION -----

OUTLET PORT OPTION -----

OUTLET ADAPTER OPTION -----

OTHER INFORMATION

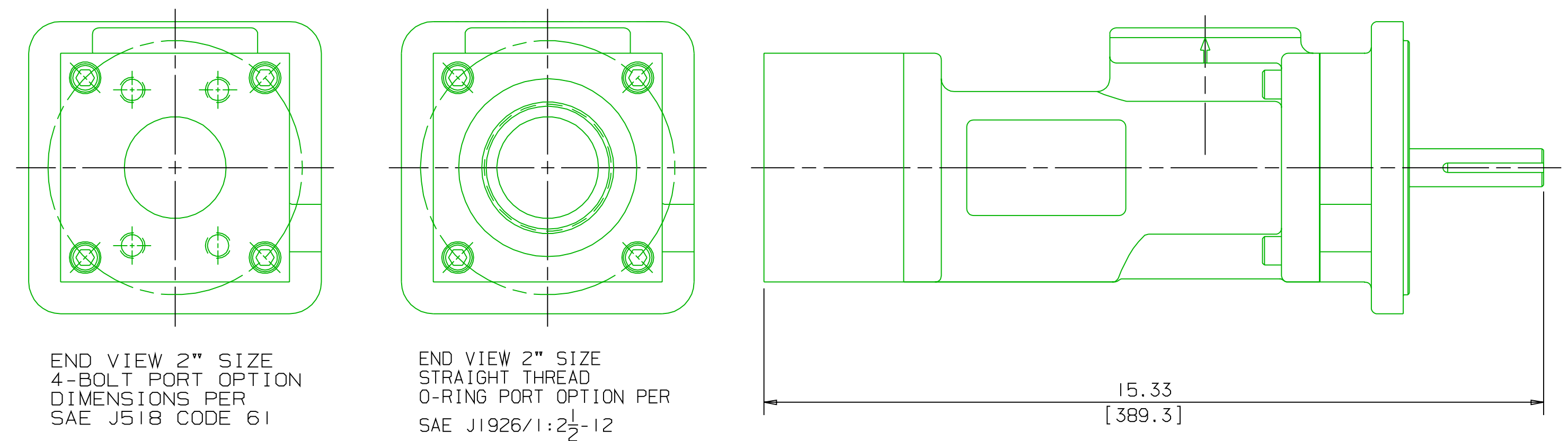
CERTIFIED BY -----

CERTIFIED DATE -----

IMO ORDER NUMBER -----

DATA REVISION NUMBER -----

VIEWS FOR ALTERNATE AXIAL INLET PORT CONFIGURATION



- NOTES:
- PORT ORIENTATIONS SUPPLIED AS SHOWN UNLESS OTHERWISE SPECIFIED.
 - ALTERNATE RADIAL INLET PORT ORIENTATION PROVIDED IF SPECIFIED ON ORDER. AVAILABLE ALTERNATE ORIENTATIONS ARE 3, 6, 9, AND 12 O'CLOCK RELATIVE TO OUTLET PORT.
 - BOLT PATTERN FOR SAE 4-BOLT AXIAL INLET IS ALWAYS ORIENTED AS SHOWN WITH RESPECT TO OUTLET PORT.
 - APPROXIMATE PUMP WEIGHT (WITHOUT ADAPTERS): 41.3 LBS. [18.8 kgs]
 - UNLESS OTHERWISE SPECIFIED, ALL DIMENSIONS ARE IN INCHES. DIMENSIONS IN [] ARE MILLIMETERS.

WEB ADDRESS: WWW. IMO-PUMP.COM	EMAIL: IMO.PUMP@COLFAXCORP.COM
DRAWN CDH 6-14-99	CHECKED NRS 6-15-99
APPD CDH 6-15-99	METHODS
UNLESS OTHERWISE SPECIFIED 1. ALL DIMENSIONS ARE IN INCHES. 2. FRACTIONAL 1/32 ON MACHINED DIMENSIONS. 3. MACHINED SURFACES 250 V FINISH. 4. BREAK SHARP CORNERS .015 ± .005. 5. CHAMFERS LESS THAN .050 ± .015. 6. ANGLES ±0.5°, CHAMFERS ±5.0°. 7. HOLES AND COUNTERBORES TO FIG. 3.17.4. 8. SCREW THDS. TO ANST B.1 (CL. 1, 2 OR 3). 9. TAPERED PIPE THDS. TO ANST B.1.20.1.	

imo Pump
 1710 Airport Road
 PO Box 5020
 Monroe, NC USA
 28111.5020

TITLE: OUTLINE STANDARD (IRON)
 AA3G/NN IA [143, 162]

SIZE: SDD 19719

SCALE: 1/2 WEIGHT: 4.4 LBS [20kg] SHEET: 1 OF 1