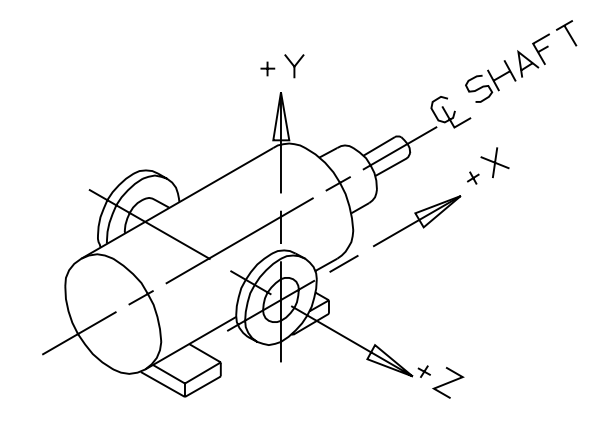
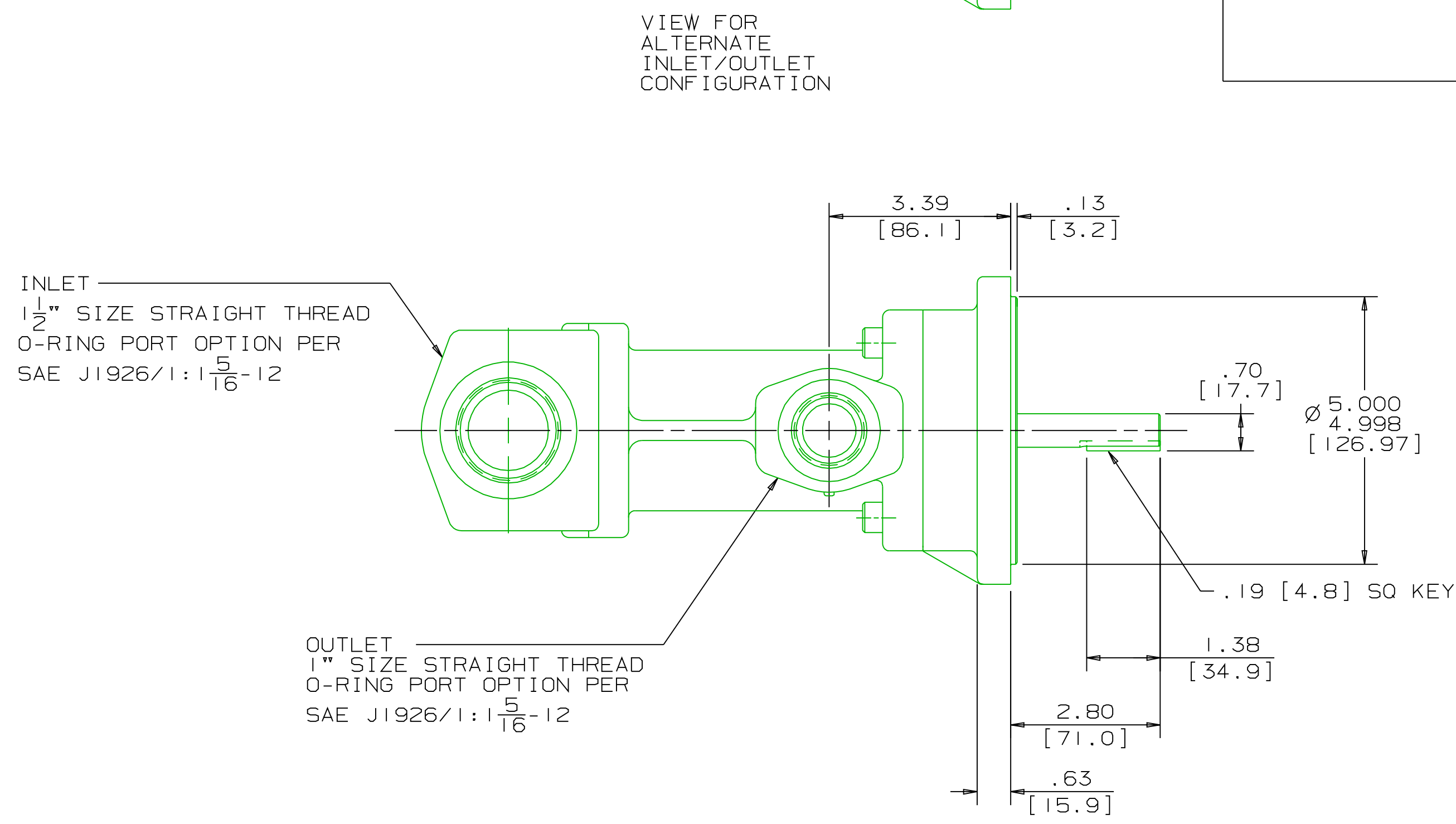
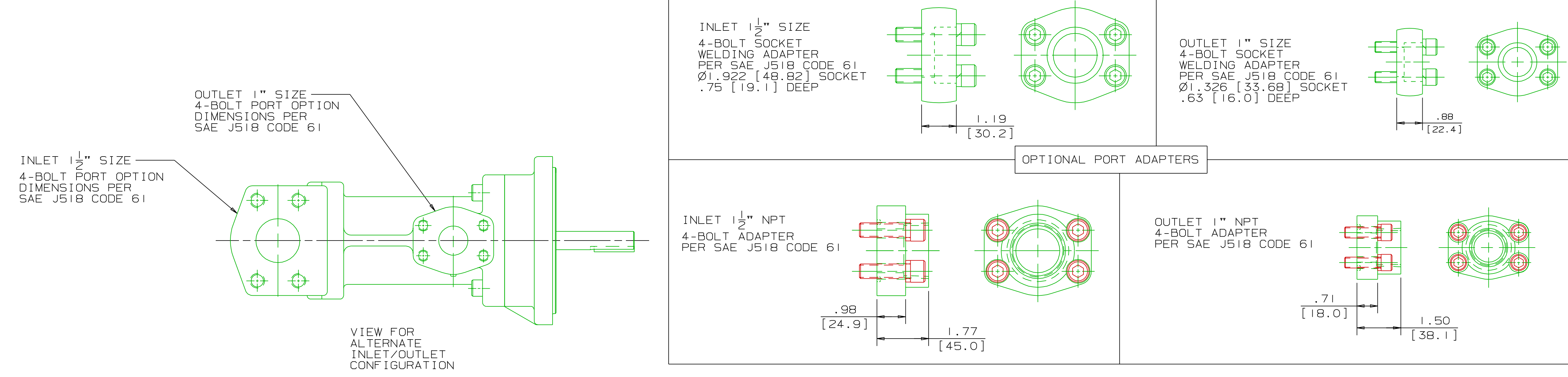


REVISION HISTORY					
CHG NO	ZONE	REV	DESCRIPTION	DATE	BY / APPROVED
01-0287	ALL	2	ALL ADAPTERS UPDATED TO REFLECT 9/99 ANCHOR CATALOG	6-19-01	DMM / DMM
01-0435	ALL	3	UPDATED DRAWING TO BE CONSISTENT WITH STANDARD 3G OUTLINE	10-22-01	ERH / DMM
03-0197	E2,3,4,5	4	UPDATED NPT ADAPTERS TO CURRENT ANCHOR DWG DATED 2-12-03	5-21-03	DMM / DMM



INLET:
 FX=113 LBF [500 N] MX=188 LB FT [254 N·m]
 FY=113 LBF [667 N] MY=188 LB FT [254 N·m]
 FZ=113 LBF [667 N] MZ=188 LB FT [254 N·m]

OUTLET:
 FX=75 LBF [334 N] MX=125 LB FT [169 N·m]
 FY=75 LBF [334 N] MY=125 LB FT [169 N·m]
 FZ=75 LBF [334 N] MZ=125 LB FT [169 N·m]

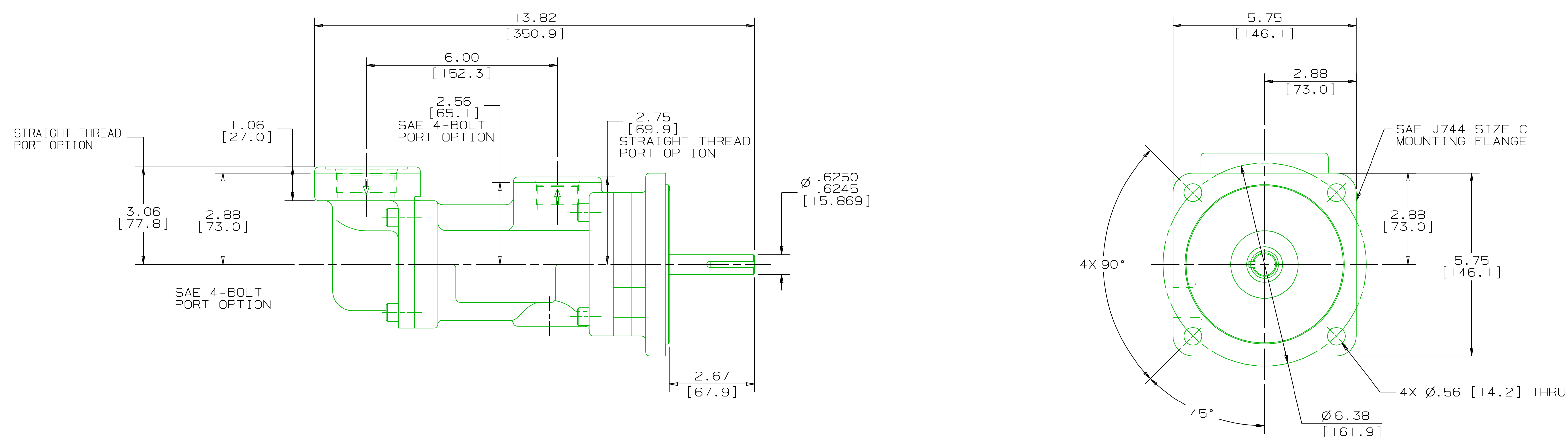
FORCE AND MOMENT VALUES ARE RELATIVE TO CENTER OF INLET AND OUTLET PORT FACES.

DRAWING CERTIFICATION

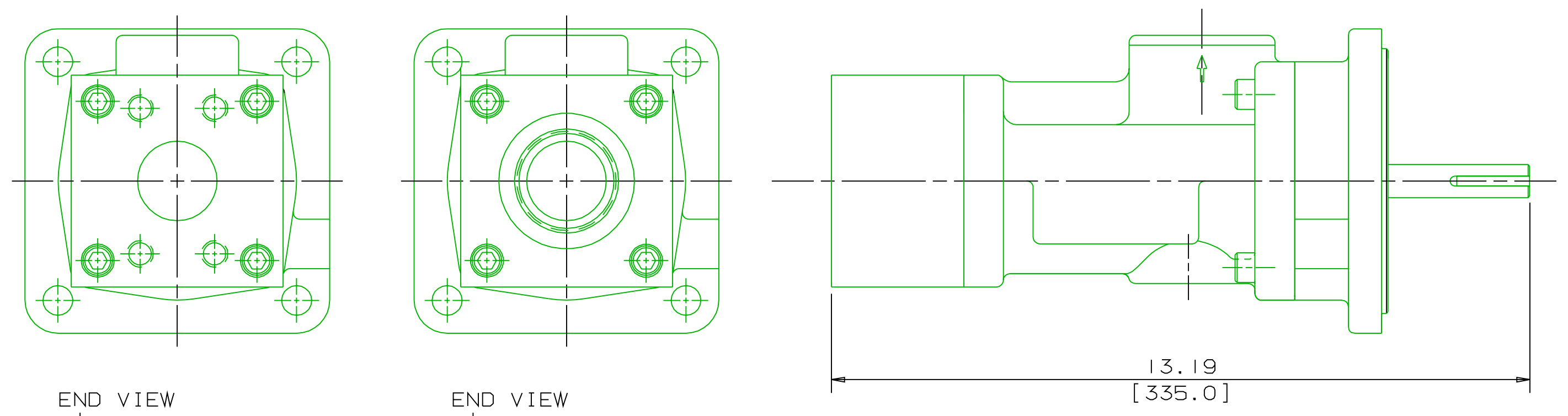
CUSTOMER NAME -----
 CUSTOMER PO NUMBER -----
 CUSTOMER PART NUMBER -----
 BOM NUMBER -----
 PUMP TYPE -----
 SHAFT ROTATION -----
 INLET PORT ORIENTATION -----
 INLET PORT OPTION -----
 INLET ADAPTER OPTION -----
 OUTLET PORT OPTION -----
 OUTLET ADAPTER OPTION -----

OTHER INFORMATION

CERTIFIED BY -----
 CERTIFIED DATE -----
 IMO ORDER NUMBER -----
 DATA REVISION NUMBER -----



VIEWS FOR ALTERNATE AXIAL INLET PORT CONFIGURATION



- NOTES:
- PORT ORIENTATIONS SUPPLIED AS SHOWN UNLESS OTHERWISE SPECIFIED.
 - ALTERNATE RADIAL INLET PORT ORIENTATIONS PROVIDED IF SPECIFIED ON ORDER. AVAILABLE ALTERNATE ORIENTATIONS ARE 3, 6, 9, AND 12 O'CLOCK RELATIVE TO OUTLET PORT.
 - BOLT PATTERN FOR SAE 4-BOLT AXIAL INLET IS ALWAYS ORIENTED AS SHOWN WITH RESPECT TO OUTLET PORT.
 - APPROXIMATE PUMP WEIGHT (WITHOUT ADAPTERS): 31.5 LBS. [14.3 kgs]
 - UNLESS OTHERWISE SPECIFIED, ALL DIMENSIONS ARE IN INCHES. DIMENSIONS IN [] ARE MILLIMETERS.

WEB ADDRESS: WWW.IMO-PUMP.COM EMAIL: IMO.PUMP@COLFAXCORP.COM

DRAWN NRS 6-15-99
 CHECKED NRS 6-15-99
 APPD NRS 6-15-99
 METHODS

COMMENTS:
 STANDARD ROTATION IS CLOCKWISE WHEN VIEWED FROM COUPLING END OF PUMP. SUCTION STRAINER AND DISCHARGE RELIEF VALVE MUST BE PROVIDED.
 UNITS ARE ACCURATELY ALIGNED AT THE FACTORY. ALIGNMENT SHOULD BE CHECKED BEFORE STARTING TO ENSURE THAT IT IS STILL WITHIN .005 [0.13] FT/M.
 FLASH SUCTION PIPING BEFORE CONNECTING PUMP. PRIME AND VENT PUMP. DO NOT START PUMP WITH VALVES CLOSED. READ INSTRUCTION MANUAL FOR DETAILS BEFORE STARTING.

IMO Pump
 1710 Airport Road
 PO Box 5020
 Monroe, NC USA
 28111.5020

TITLE: OUTLINE STANDARD (IRON)
 AA3G/NN-IA118

SIZE: 59180
 CASE CODE: SDD19713
 Dwg No: SDD19713

SCALE: 1/2 WEIGHT: SHEET: 1 OF 1