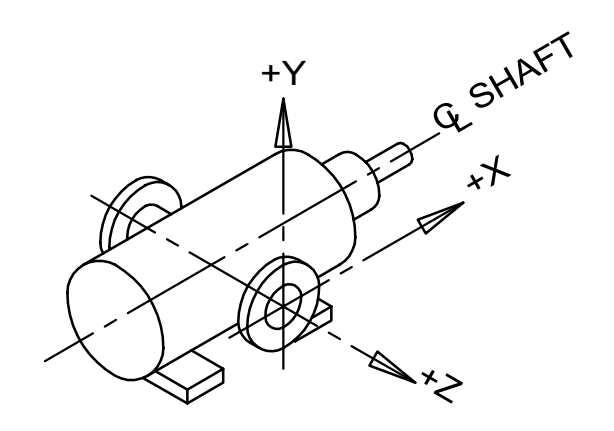
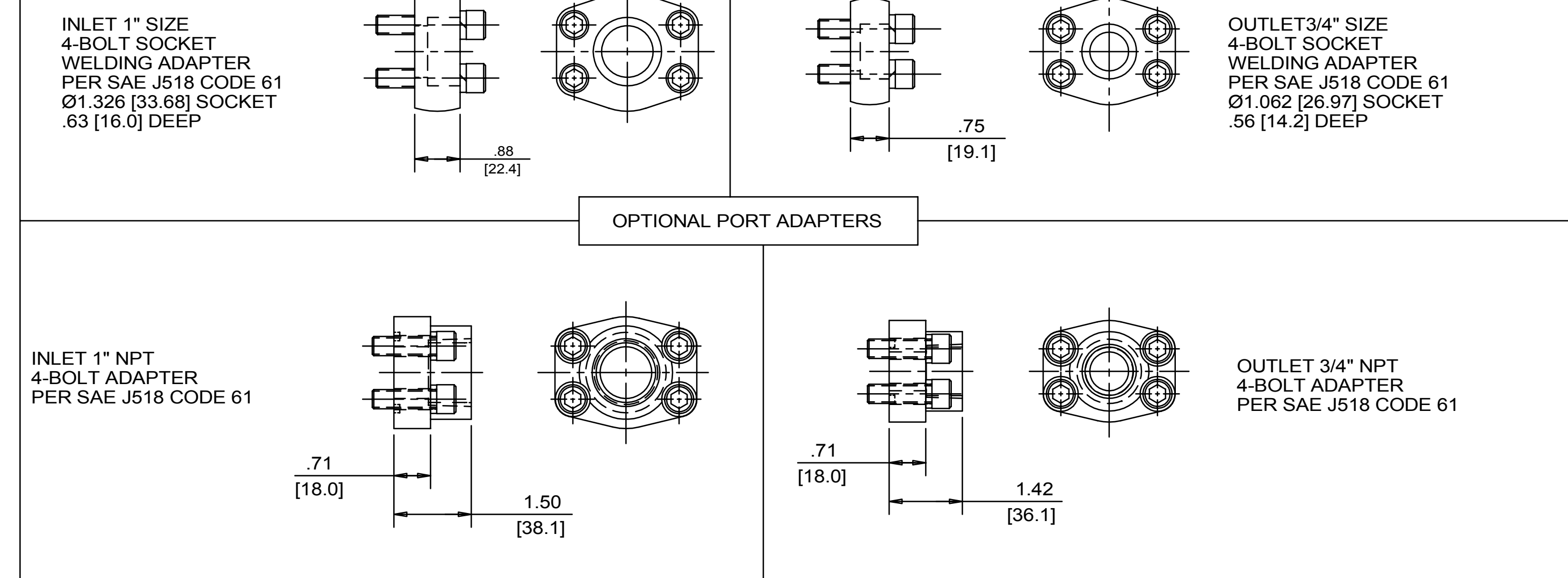
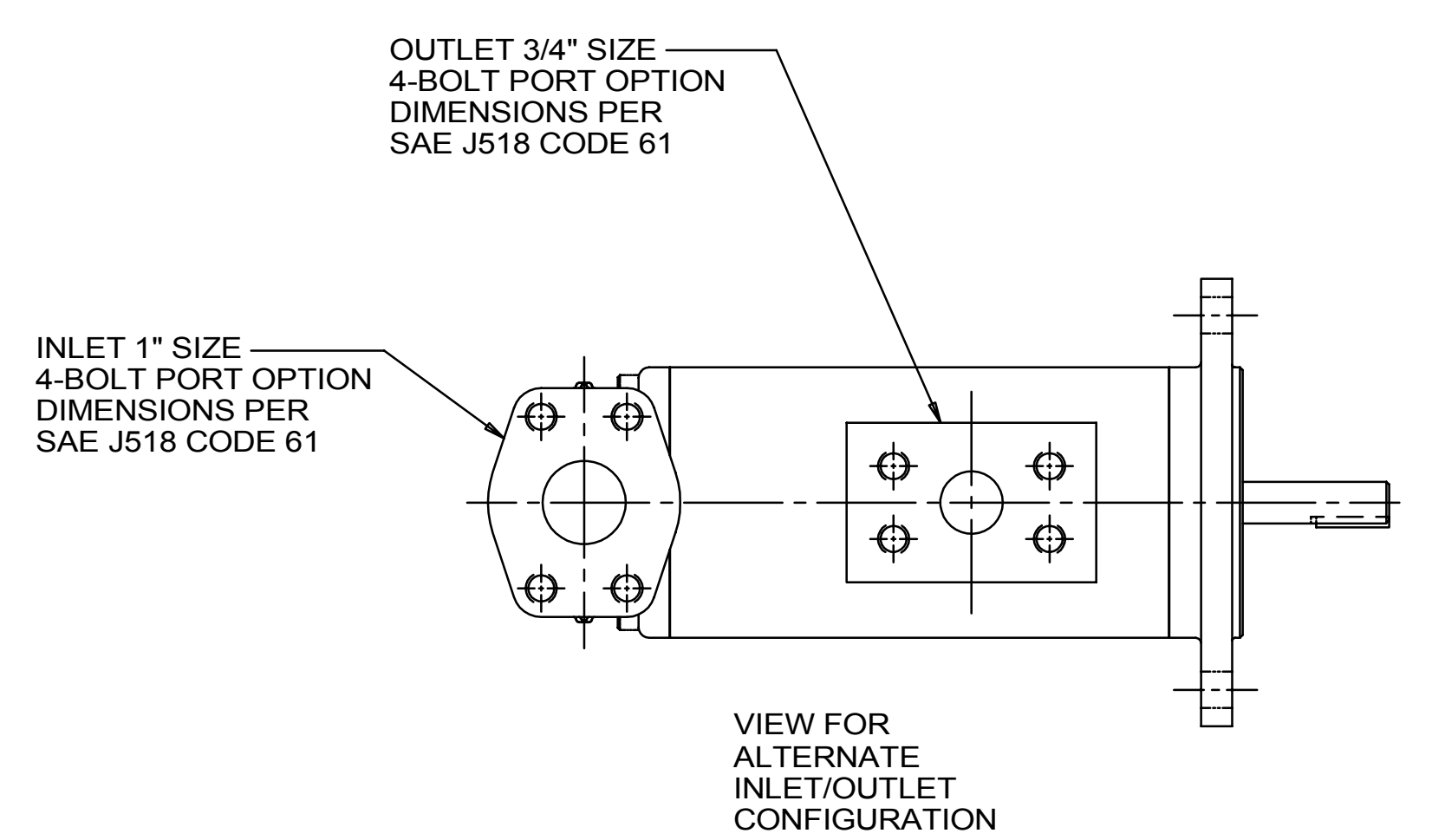


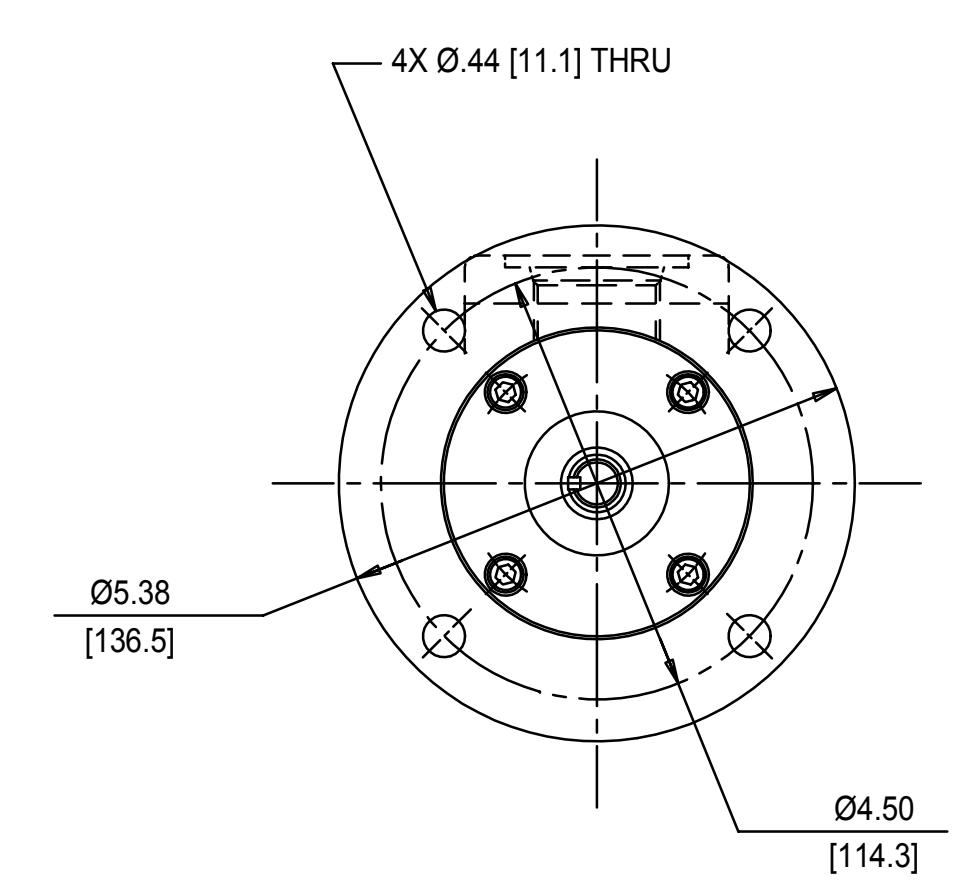
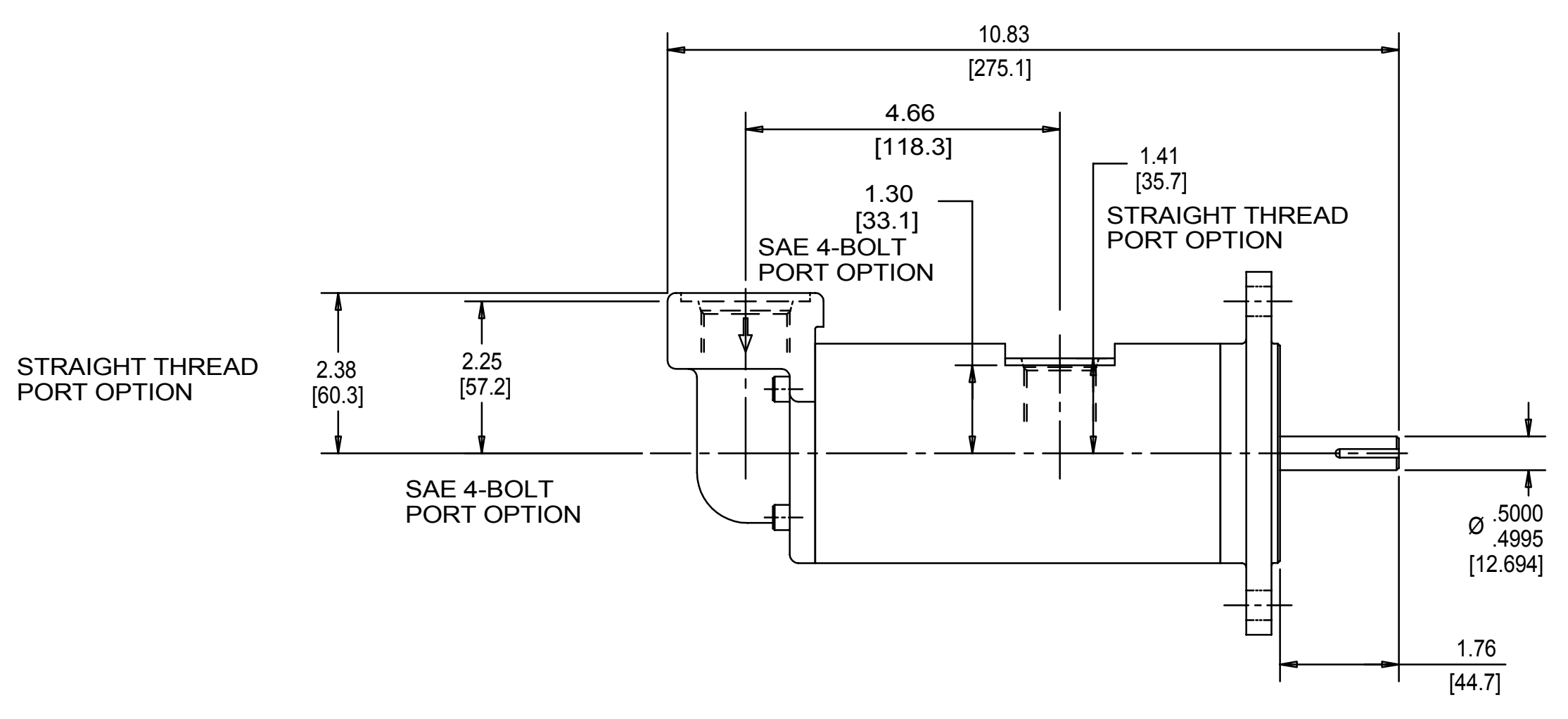
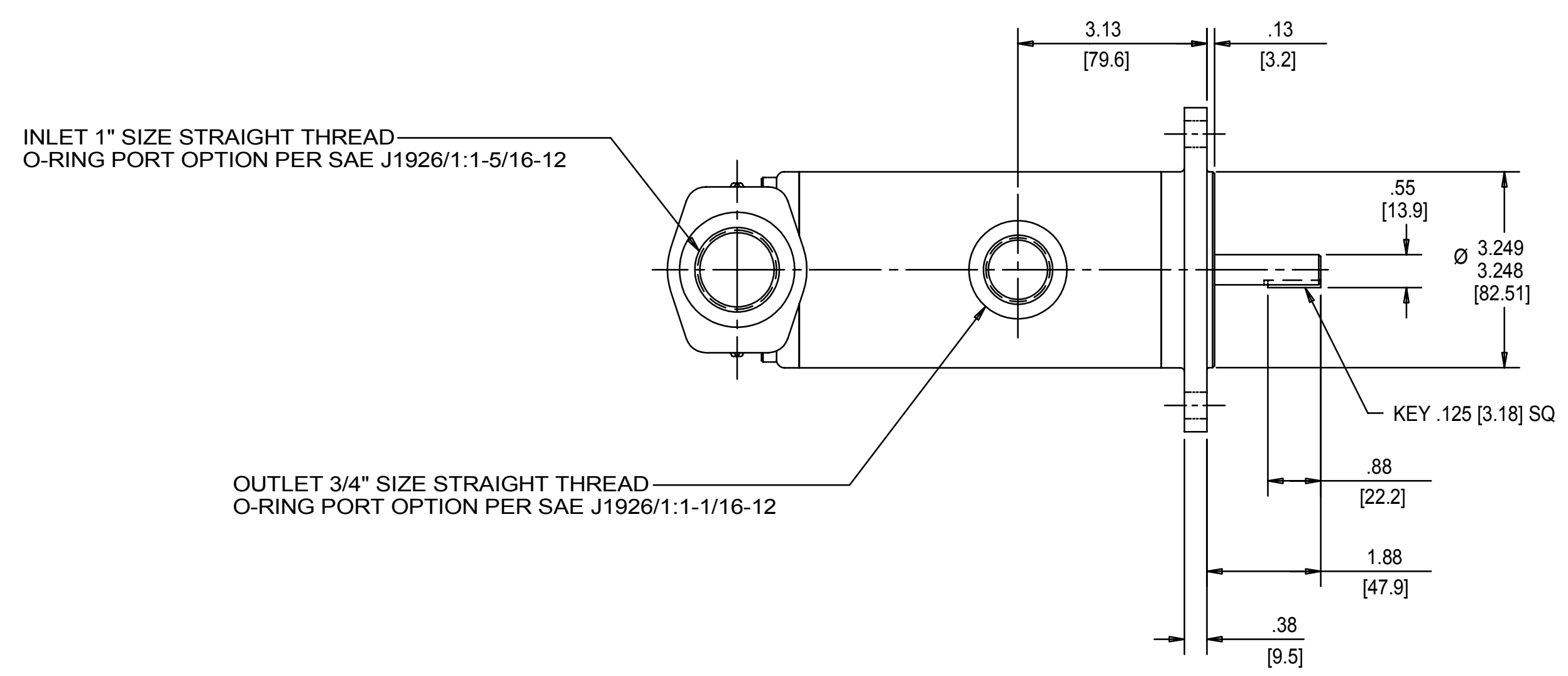
REVISION HISTORY				DATE	BY	APPROVED
CHG NO	ZONE	REV	DESCRIPTION			
11-0187	AI	5	CHANGED TITLE, WAS AA3G	5-17-11	ERH	ERH



INLET:
 FX= 37.5 LBF [169 N] MX= 62.5 LB FT [84.7 N.m]
 FY= 37.5 LBF [169 N] MY= 62.5 LB FT [84.7 N.m]
 FZ= 37.5 LBF [169 N] MZ= 62.5 LB FT [84.7 N.m]

OUTLET:
 FX= 28.1 LBF [125 N] MX= 46.9 LB FT [63.6 N.m]
 FY= 28.1 LBF [125 N] MY= 46.9 LB FT [63.6 N.m]
 FZ= 28.1 LBF [125 N] MZ= 46.9 LB FT [63.6 N.m]

FORCE AND MOMENT VALUES ARE RELATIVE TO CENTER OF INLET AND OUTLET PORT FACES.



DRAWING CERTIFICATION

12 O'CLOCK

9 O'CLOCK

6 O'CLOCK

3 O'CLOCK

OUTLET PORT

SHAFT

SEE NOTES 1, 2 & 3

CUSTOMER NAME _____

CUSTOMER PO NUMBER _____

CUSTOMER PART NUMBER _____

BOM NUMBER _____

PUMP TYPE _____

SHAFT ROTATION _____

INLET PORT ORIENTATION _____

INLET PORT OPTION _____

INLET ADAPTER OPTION _____

OUTLET PORT OPTION _____

OUTLET ADAPTER OPTION _____

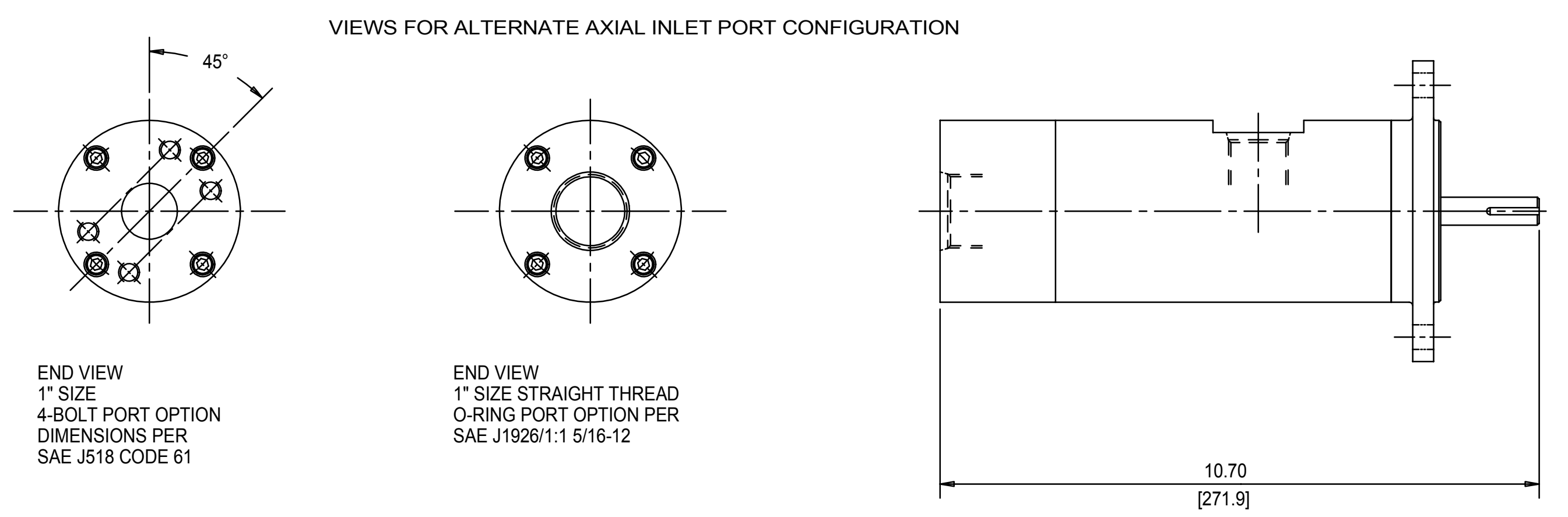
OTHER INFORMATION _____

CERTIFIED BY _____

CERTIFIED DATE _____

IMO ORDER NUMBER _____

DATA REVISION NUMBER _____



- NOTES:
- PORT ORIENTATIONS SUPPLIED AS SHOWN UNLESS OTHERWISE SPECIFIED.
 - ALTERNATE RADIAL INLET PORT ORIENTATIONS PROVIDED IF SPECIFIED ON ORDER. AVAILABLE ALTERNATE ORIENTATIONS ARE 3, 6, 9, AND 12 O'CLOCK RELATIVE TO OUTLET PORT.
 - BOLT PATTERN FOR SAE 4-BOLT AXIAL INLET IS ALWAYS ORIENTED AS SHOWN WITH RESPECT TO OUTLET PORT.
 - APPROXIMATE PUMP WEIGHT (WITHOUT ADAPTERS): 18.9 LBS. (8.6 kgs)
 - UNLESS OTHERWISE SPECIFIED, ALL DIMENSIONS ARE IN INCHES. DIMENSIONS IN [] ARE MILLIMETERS.

DRAWN	NRS	6-14-99		Imo Pump 1710 Airport Road PO Box 5020 Monroe, NC USA 28111-5020
CHECKED	NRS	6-14-99		
APPROVED	NRS	6-14-99		
PROCESS			TITLE	OUTLINE STANDARD (IRON)
UNLESS OTHERWISE SPECIFIED ASME Y14.5M-1994			SIZE	F
<small> ELEMENTS: SECTION STRAINER AND DISCHARGE RELIEF VALVE MUST BE PROVIDED ALIGNMENT UNITS ARE ACCURATELY ALIGNED AT THE FACTORY. ALIGNMENT SHOULD BE CHECKED BEFORE STARTING TO INSURE THAT IT IS STILL WITHIN TOL. IDENTIFYING FLUSH SUCTION PUMP BEFORE CONNECTING PUMP. PRIME AND VENT PUMP. READ INSTRUCTION MANUAL FOR DETAILS BEFORE STARTING. </small>			FIRST ORDER	E1102A
			SCALE	1/2
			WEIGHT	SEE NOTE 4
			SHEET	1 OF 1