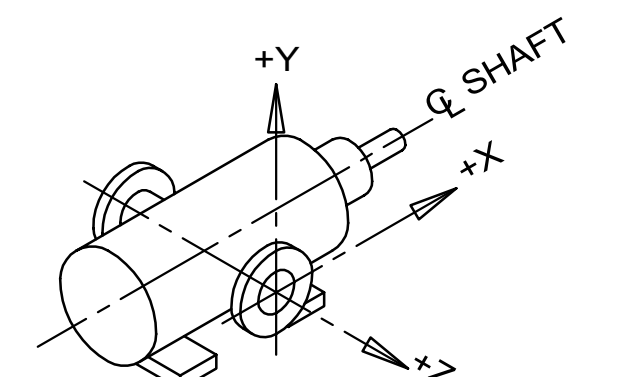
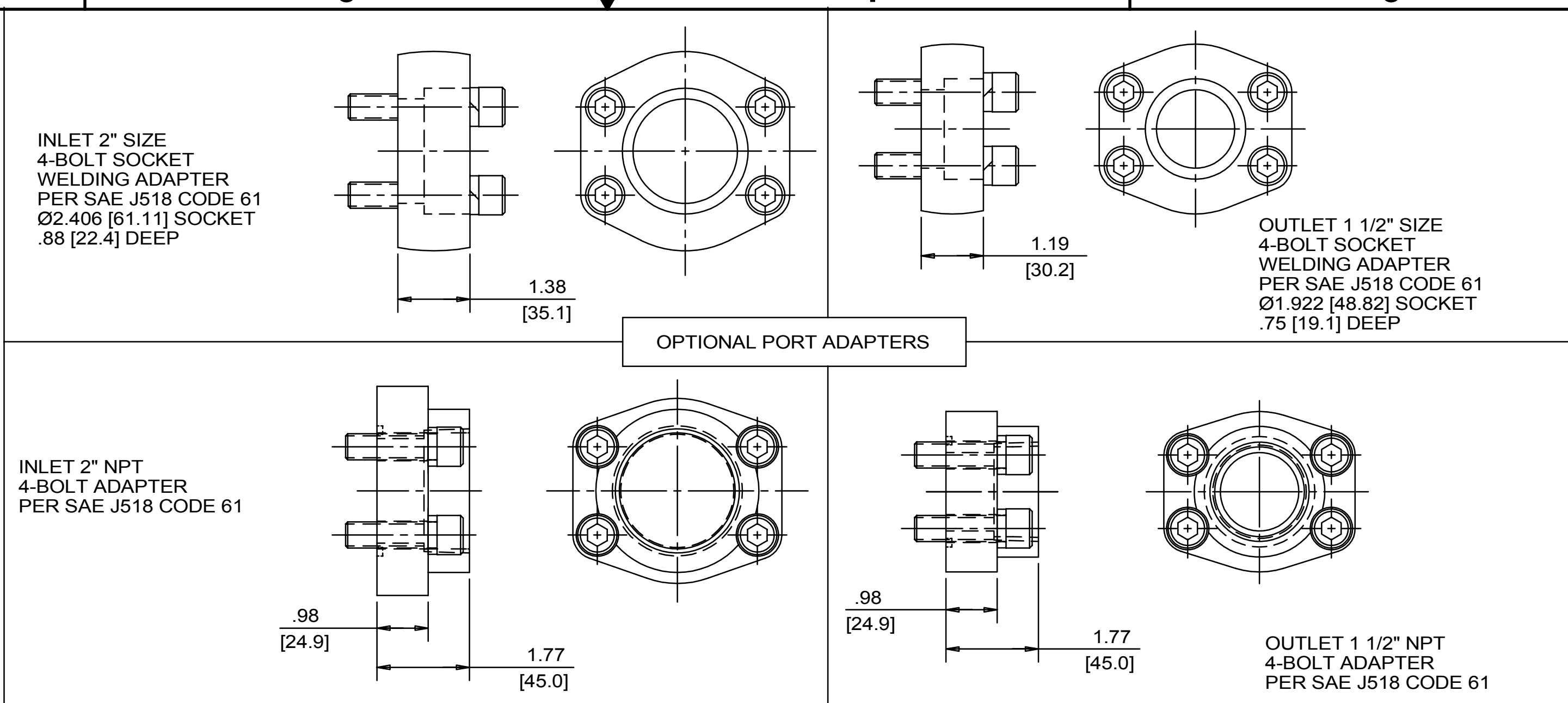


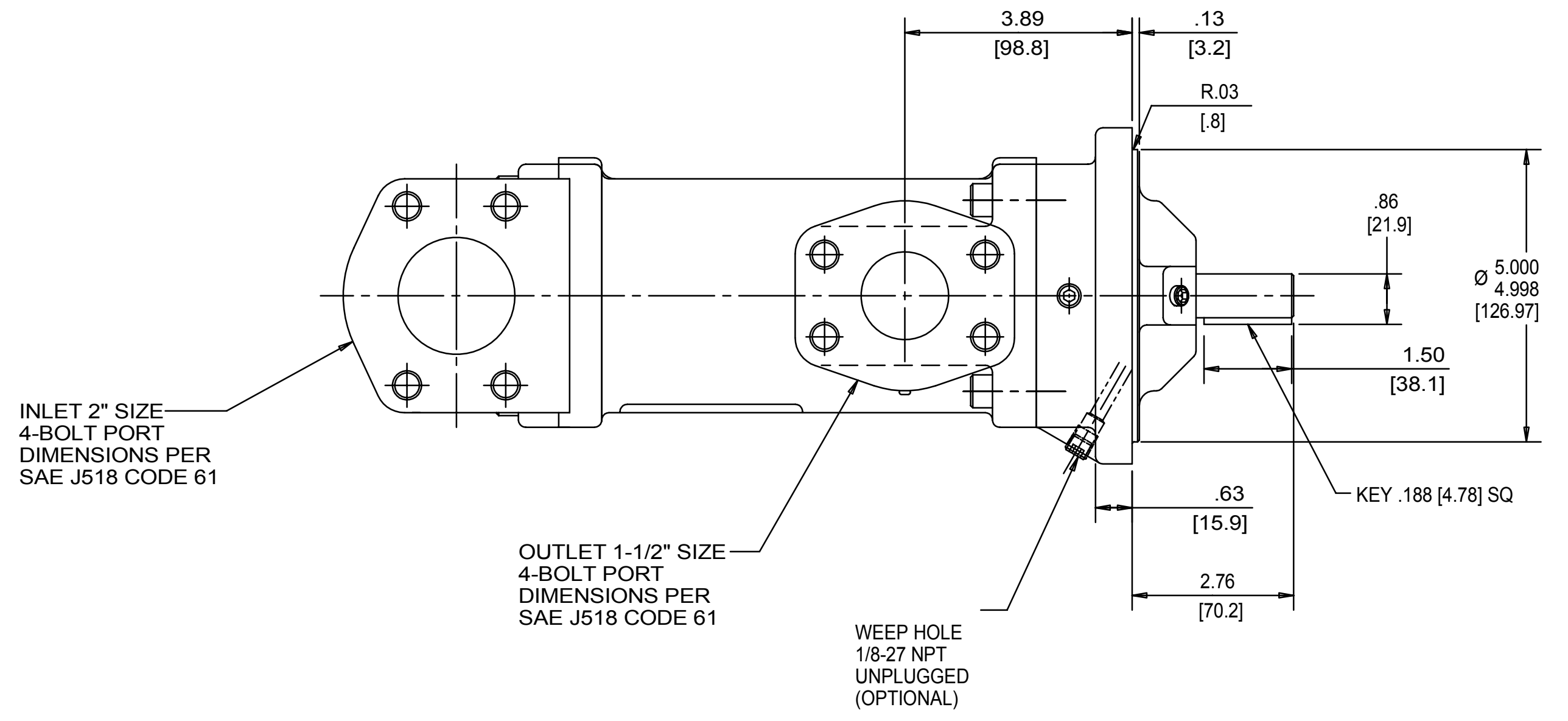
REVISION HISTORY				DATE	BY	APPROVED
CHG NO	ZONE	REV	DESCRIPTION	DATE	BY	APPROVED
11-0187	A1	12	CHANGED TITLE, WAS AA3G	5-17-11	ERH	ERH



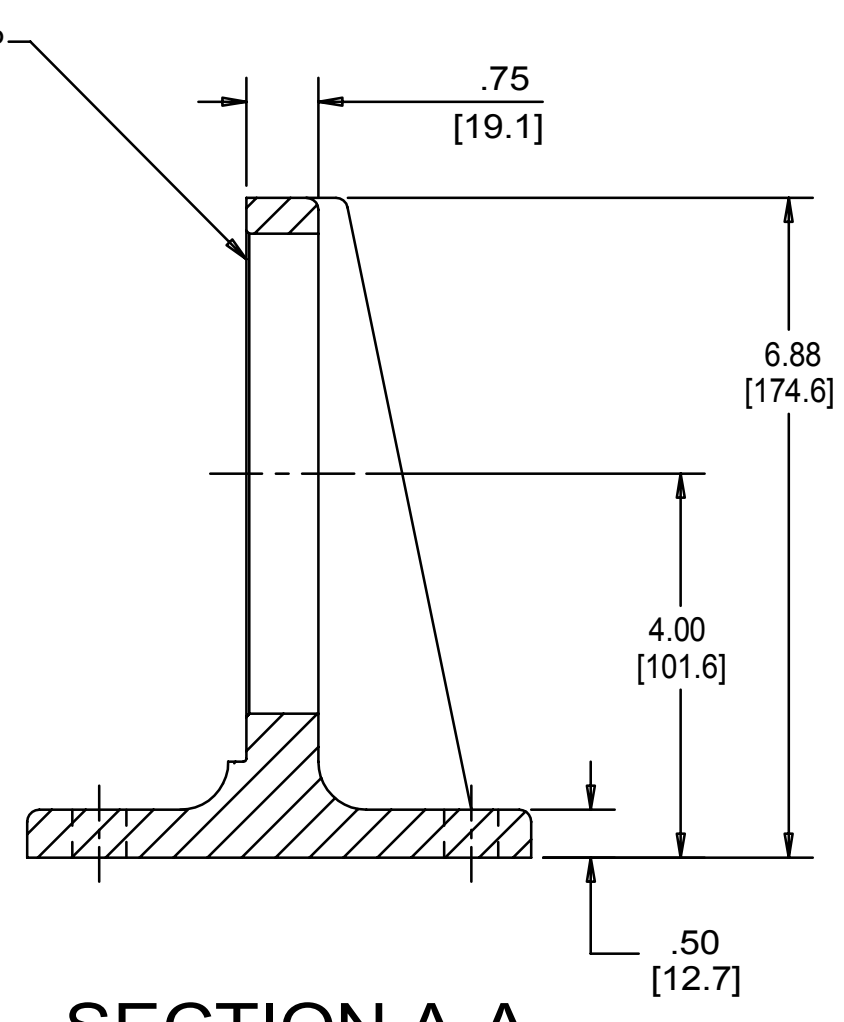
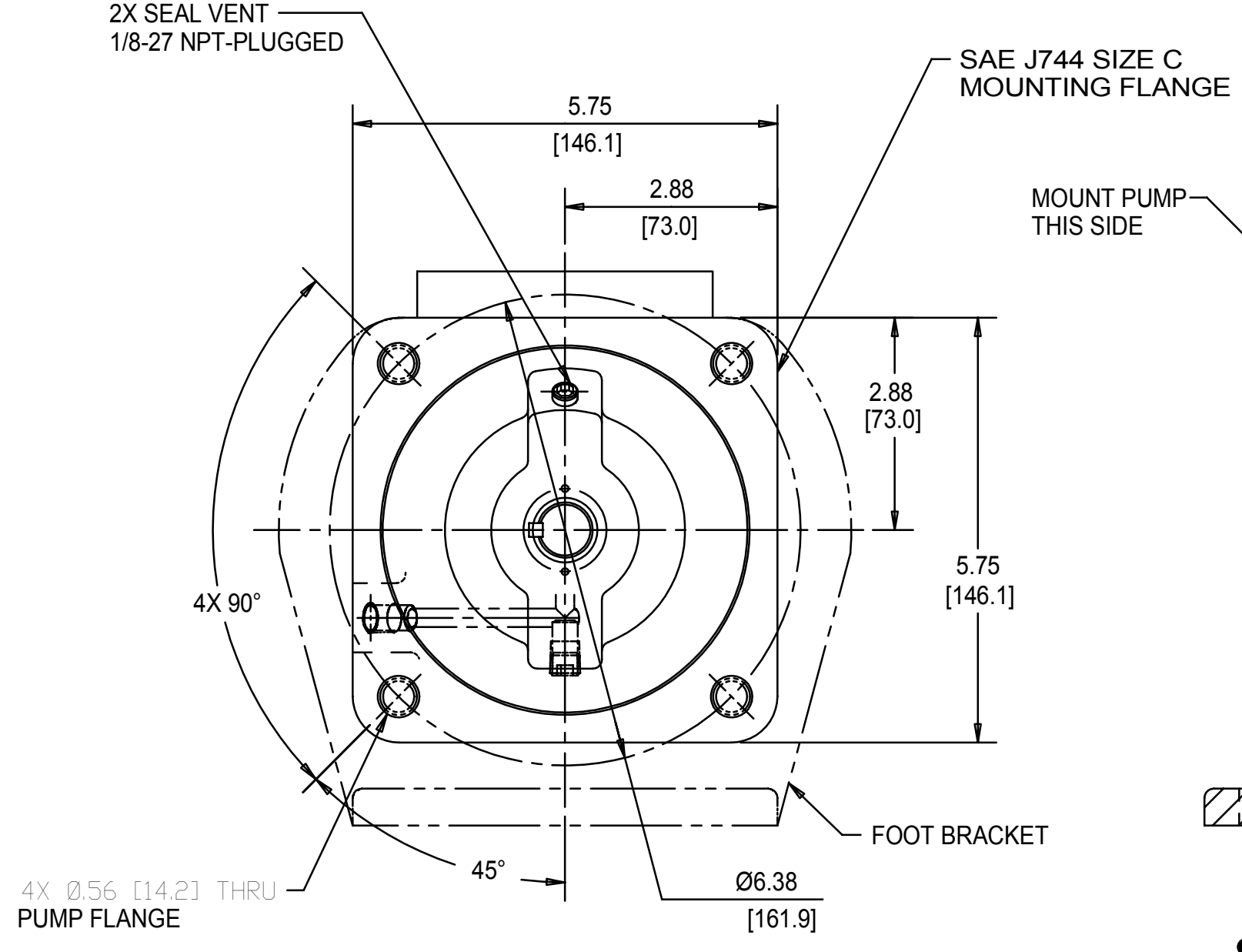
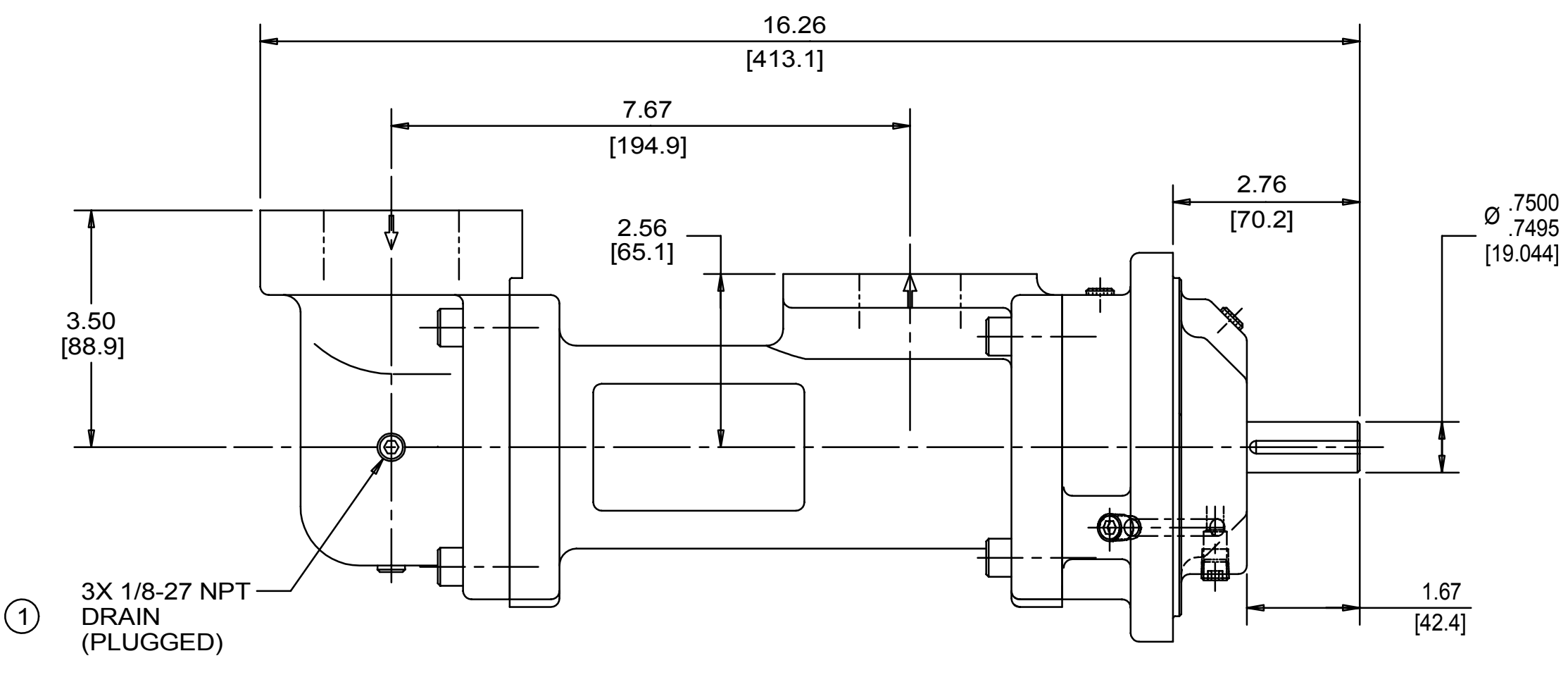
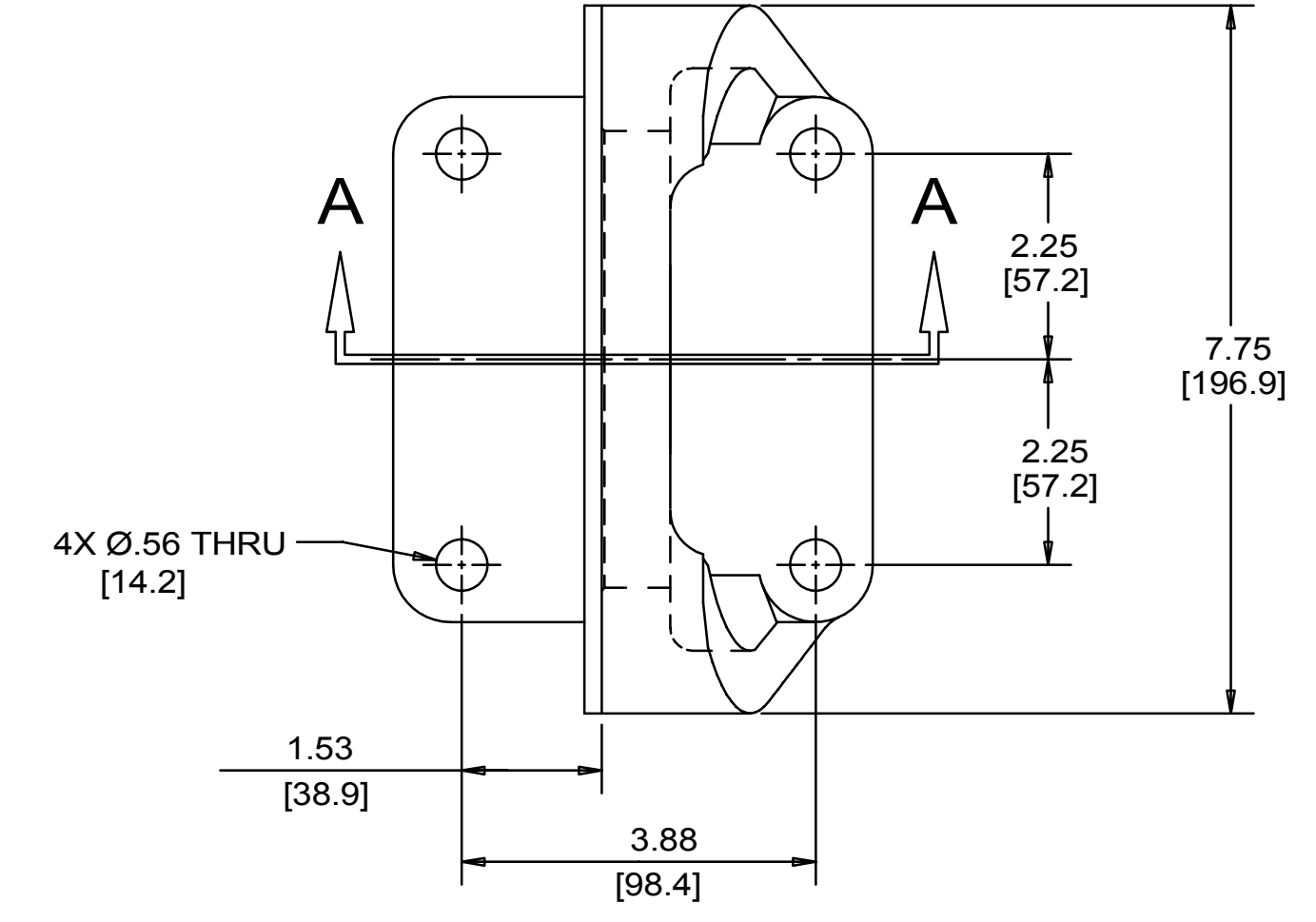
INLET:
 FX= 150 LBF [667 N] MX= 250 LB FT [339 N.m]
 FY= 150 LBF [667 N] MY= 250 LB FT [339 N.m]
 FZ= 150 LBF [667 N] MZ= 250 LB FT [339 N.m]

OUTLET:
 FX= 113 LBF [500 N] MX= 188 LB FT [254 N.m]
 FY= 113 LBF [500 N] MY= 188 LB FT [254 N.m]
 FZ= 113 LBF [500 N] MZ= 188 LB FT [254 N.m]

FORCE AND MOMENT VALUES ARE RELATIVE TO CENTER OF INLET AND OUTLET PORT FACES.



← ROTATION →



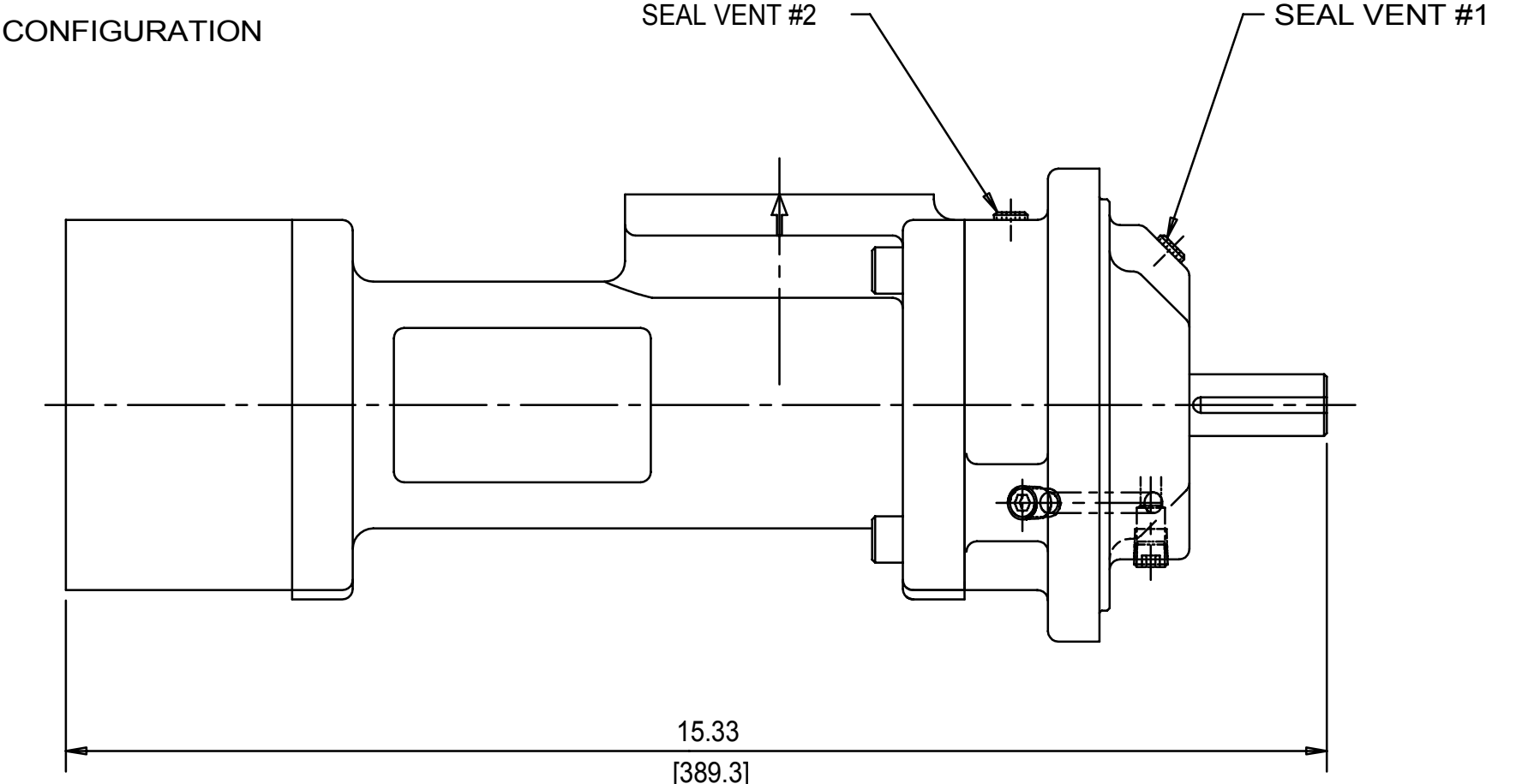
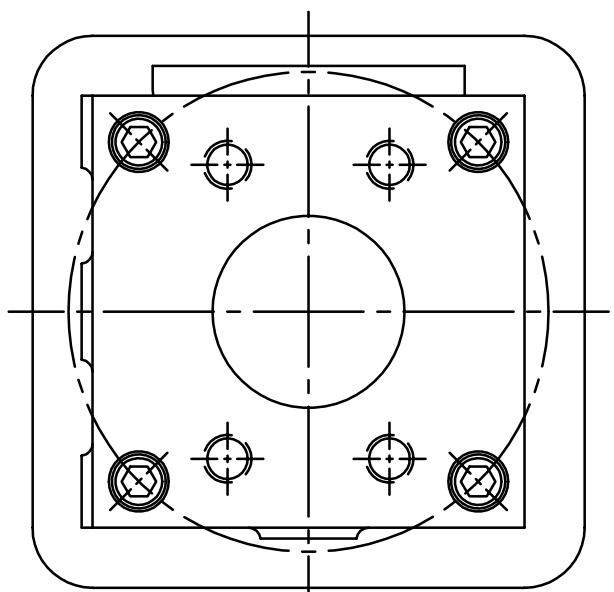
DRAWING CERTIFICATION

CUSTOMER NAME -----
CUSTOMER PO NUMBER -----
CUSTOMER PART NUMBER -----
BOM NUMBER -----
PUMP TYPE -----
SHAFT ROTATION -----
INLET PORT ORIENTATION -----
OUTLET PORT ORIENTATION -----
INLET PORT OPTION -----
INLET ADAPTER OPTION -----
OUTLET PORT OPTION -----
OUTLET ADAPTER OPTION -----

OTHER INFORMATION -----

CERTIFIED BY -----
CERTIFIED DATE -----
IMO ORDER NUMBER -----
DATA REVISION NUMBER -----

VIEWS FOR ALTERNATE AXIAL INLET PORT CONFIGURATION



- NOTES:**
- TO MAXIMIZE SEAL LIFE, SEAL VENT MUST BE ORIENTED UPWARD (12 O'CLOCK) WHEN PUMP IS INSTALLED HORIZONTALLY. VENT ORIENTATION IS NOT CRITICAL WHEN PUMP IS INSTALLED WITH SHAFT VERTICALLY UPWARD.
 - PORT, FOOT, AND SEAL VENT ORIENTATIONS ARE SUPPLIED AS SHOWN ON DRAWING UNLESS OTHERWISE SPECIFIED.
 - ALTERNATE PORT AND FOOT ORIENTATIONS ARE PROVIDED IF SPECIFIED ON ORDER. AVAILABLE ORIENTATIONS ARE 3, 6, 9, AND 12 O'CLOCK.
 - BOLT PATTERN FOR SAE 4-BOLT AXIAL INLET IS ALWAYS ORIENTED AS SHOWN WITH RESPECT TO OUTLET PORT.
 - APPROXIMATE PUMP WEIGHT (WITHOUT ADAPTERS):
 FLANGE MOUNT PUMP----- 42.8 LBS. (19.4 kgs)
 FOOT MOUNT PUMP----- 54.9 LBS. (25.0 kgs)
 - UNLESS OTHERWISE SPECIFIED, ALL DIMENSIONS ARE IN INCHES. DIMENSIONS IN () ARE MILLIMETERS.

DRAWN	ERH	3-3-99	<p>IMO Pump 1710 Airport Road PO Box 5020 Monroe, NC USA 28111-5020</p>
CHECKED	NRS	4-8-99	
APP'D	MJC	4-8-99	
UNLESS OTHERWISE SPECIFIED ASME Y14.5M-1994			TITLE OUTLINE STANDARD (STEEL) 3G/_ _S_ _A[143/162]_ _
IDENTIFY: SUCTION STRAINER AND DISCHARGE RELIEF VALVE MUST BE PROVIDED ALIGNMENT UNITS ARE ACCURATELY ALIGNED AT THE FACTORY. ALIGNMENT SHOULD BE CHECKED BEFORE STARTING TO ENSURE THAT IT IS STILL WITHIN TOL- ERANCES. FLUSH SUCTION PUMP BEFORE CONNECTING PUMP. PRIME AND VENT PUMP. READ INSTRUCTOR MANUAL FOR DETAILS BEFORE STARTING.			SCALE 1/2
FIRST ORDER E1102A			WEIGHT SEE NOTE 5
USED ON			SHEET 1 OF 1