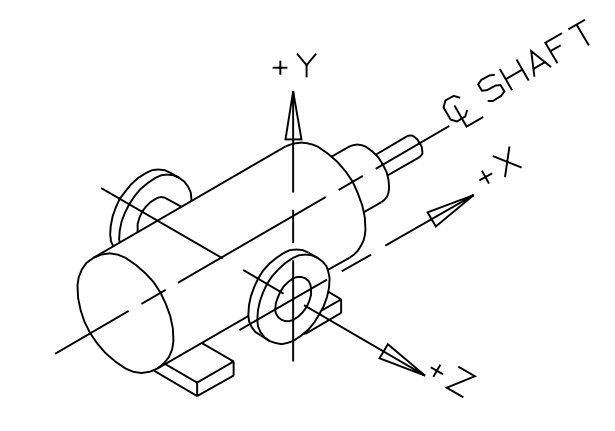
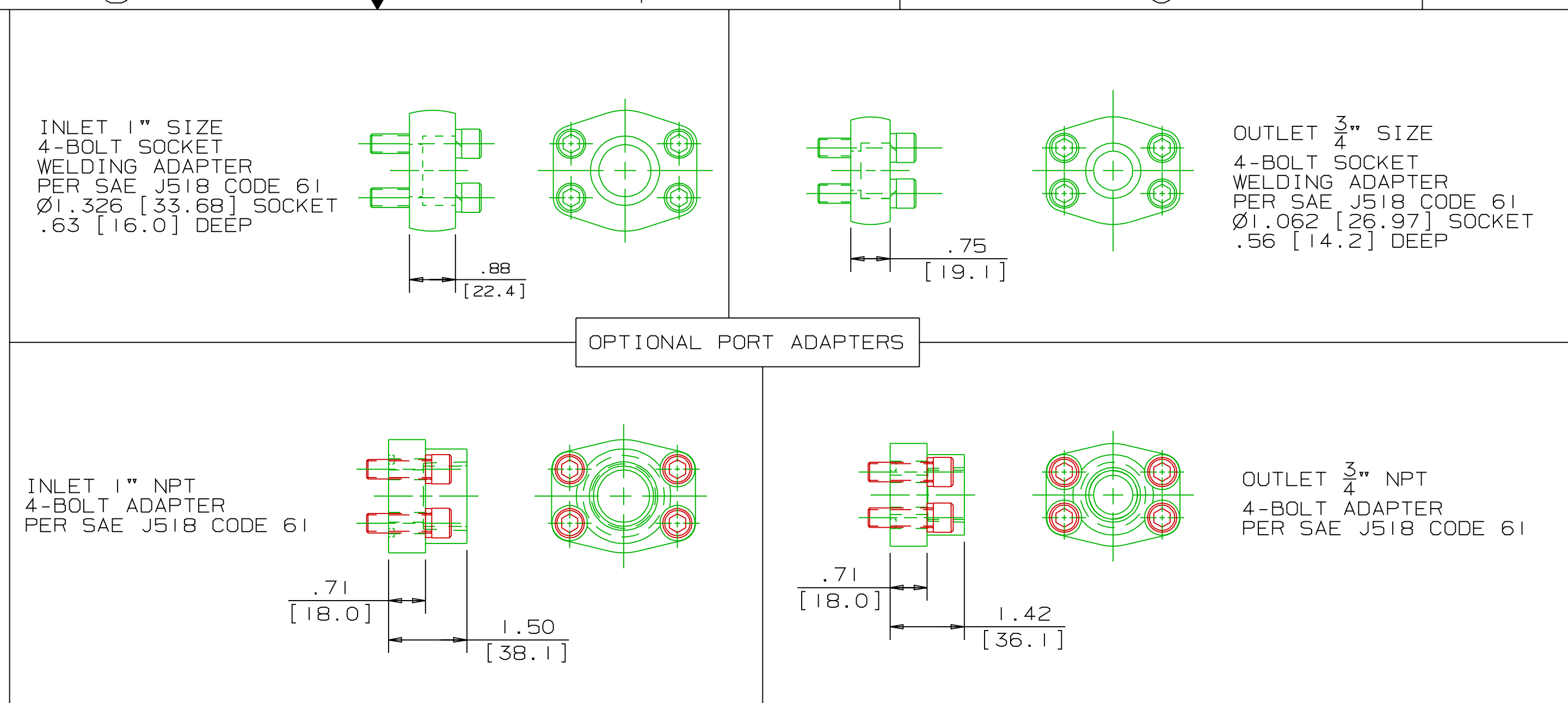


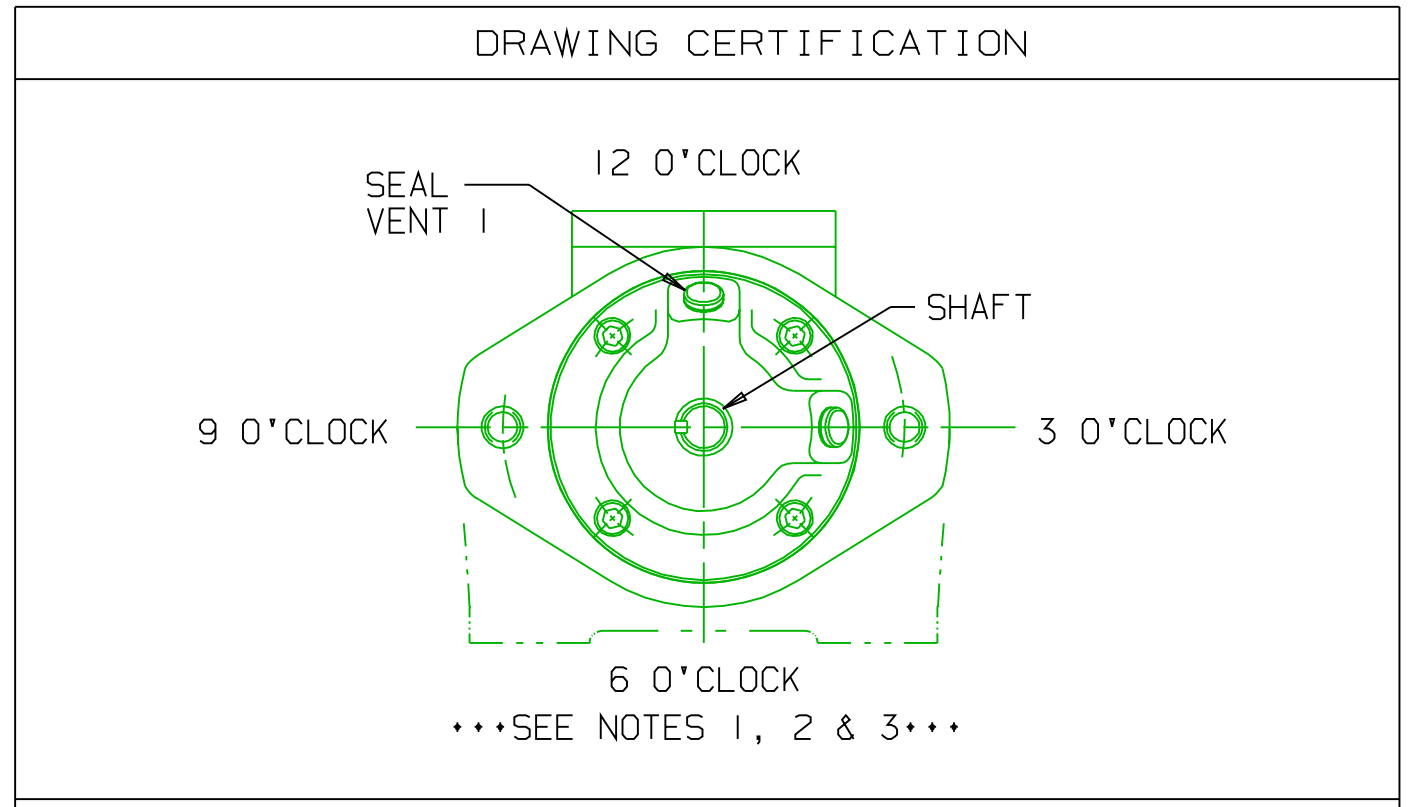
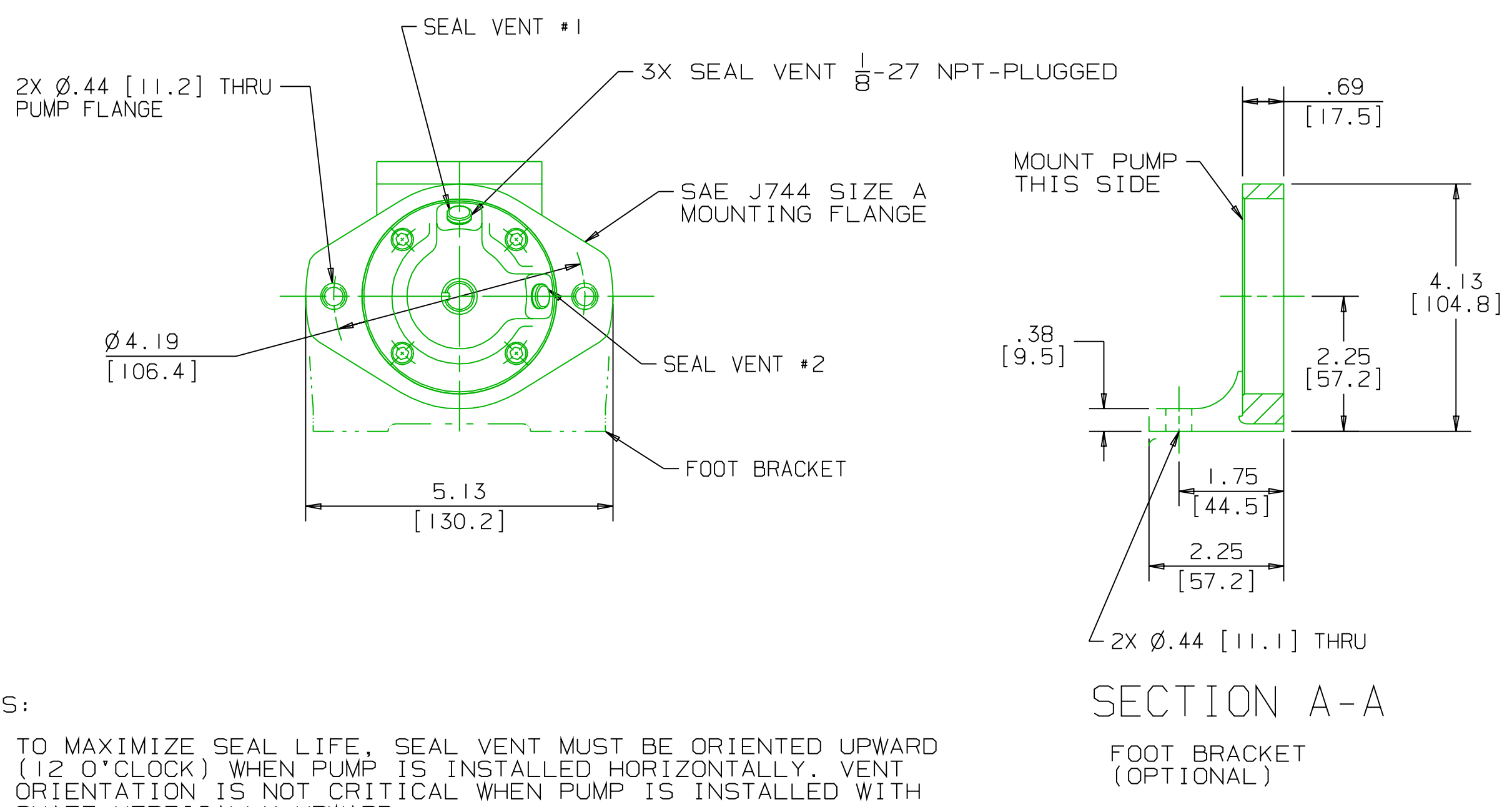
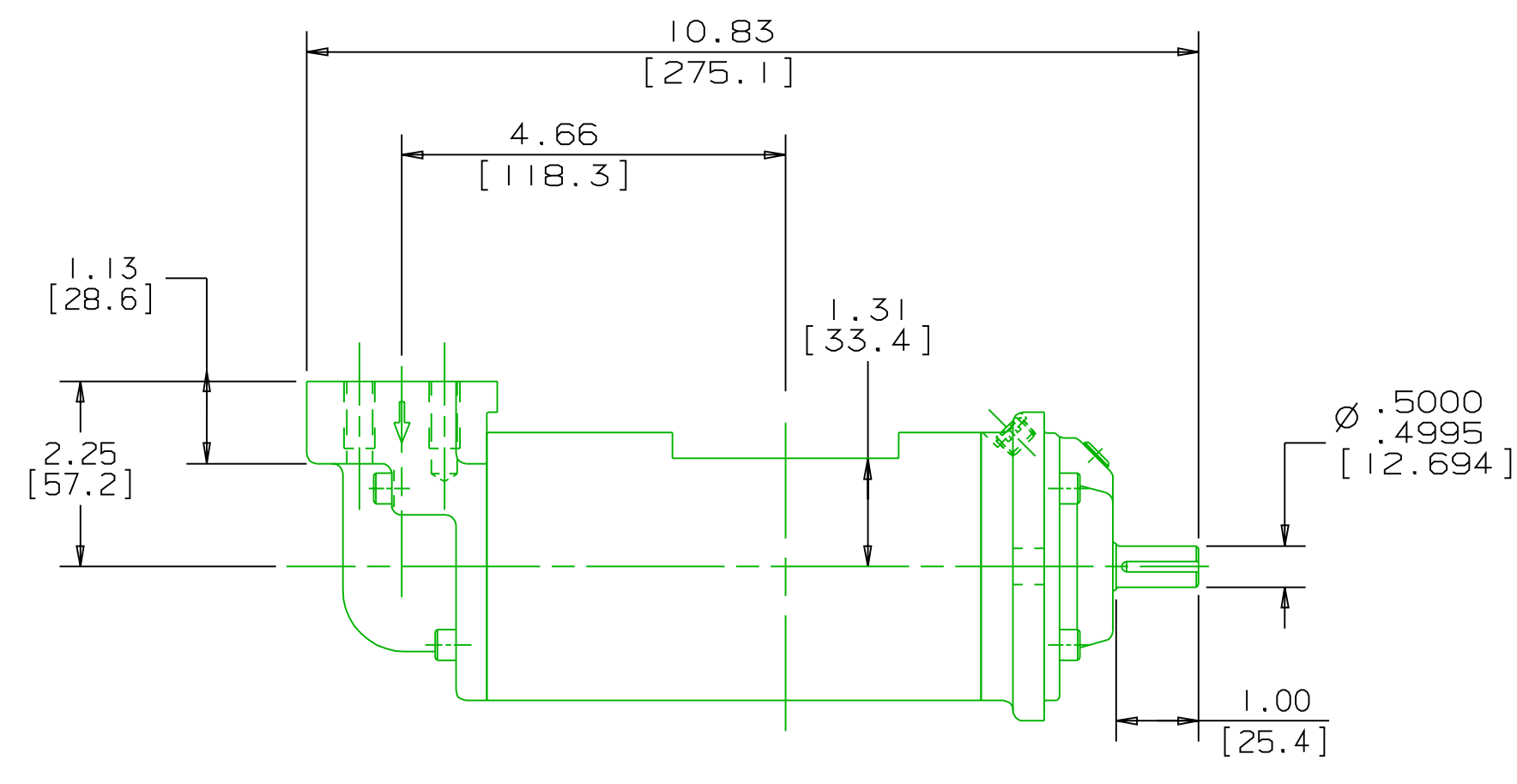
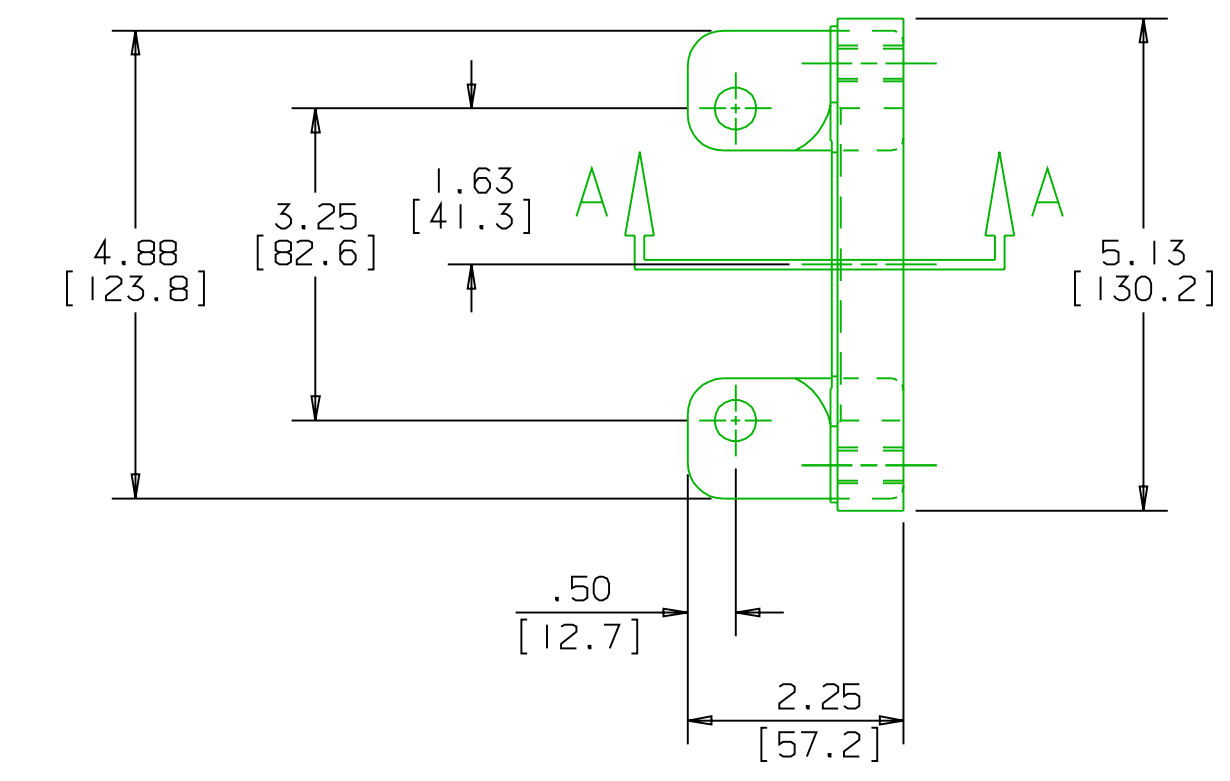
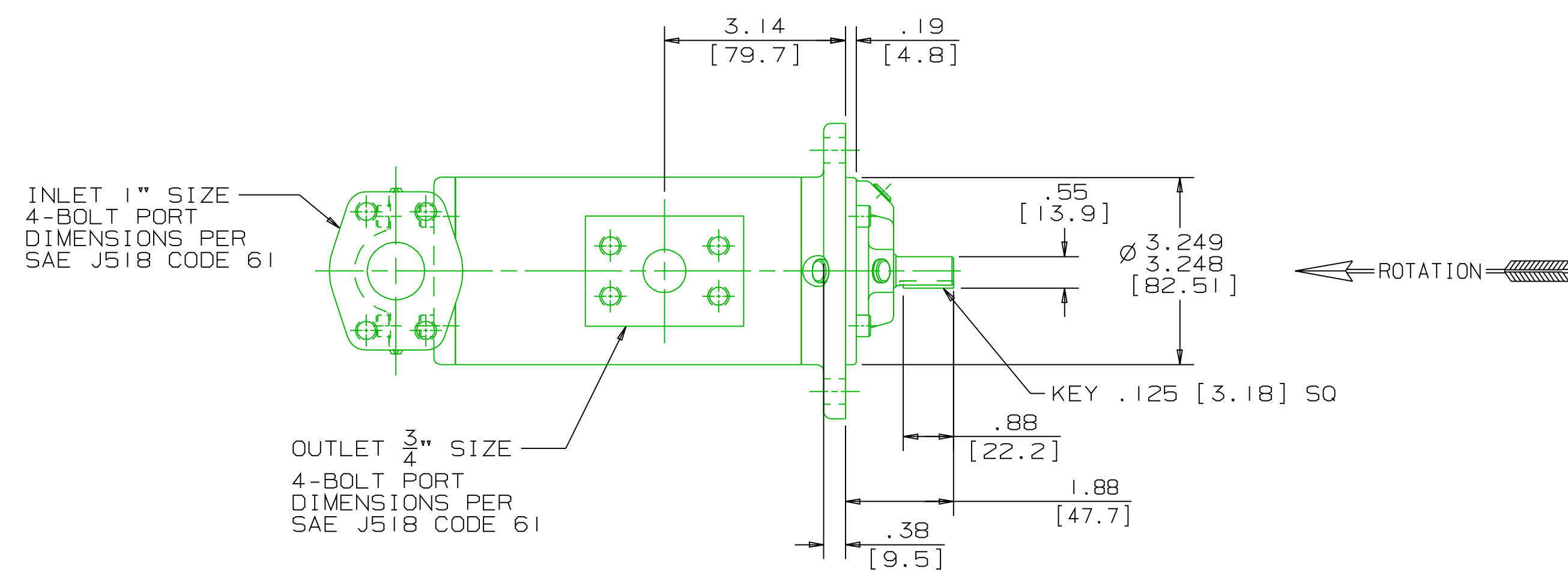
REVISION HISTORY					
CHG NO	ZONE	REV	DESCRIPTION	DATE	BY / APPROVED
01-0287	ALL	6	ALL ADAPTERS UPDATED TO REFLECT 9/99 ANCHOR CATALOG	6-15-01	DMM / DMM
01-0435	ALL	7	UPDATED DRAWING TO BE CONSISTENT WITH STANDARD 3G OUTLINE	10-26-01	ERH / DMM
03-0197	E3, 4	8	UPDATED NPT ADAPTERS TO CURRENT ANCHOR DWG DATED 2-12-03	5-20-03	DMM / DMM



INLET:
 FX=37.5 LBF [167 N] MY=62.5 LB FT [84.7 N·m]
 FY=37.5 LBF [167 N] MZ=62.5 LB FT [84.7 N·m]
 FZ=37.5 LBF [167 N] MX=62.5 LB FT [84.7 N·m]

OUTLET:
 FX=28.1 LBF [125 N] MY=46.9 LB FT [63.6 N·m]
 FY=28.1 LBF [125 N] MZ=46.9 LB FT [63.6 N·m]
 FZ=28.1 LBF [125 N] MX=46.9 LB FT [63.6 N·m]

FORCE AND MOMENT VALUES ARE RELATIVE TO CENTER OF INLET AND OUTLET PORT FACES.



CUSTOMER NAME -----

CUSTOMER PO NUMBER -----

CUSTOMER PART NUMBER -----

BOM NUMBER -----

PUMP TYPE -----

SHAFT ROTATION -----

INLET PORT ORIENTATION -----

OUTLET PORT ORIENTATION -----

FOOT BRKT. ORIENTATION -----

INLET PORT OPTION -----

INLET ADAPTER OPTION -----

OUTLET ADAPTER OPTION -----

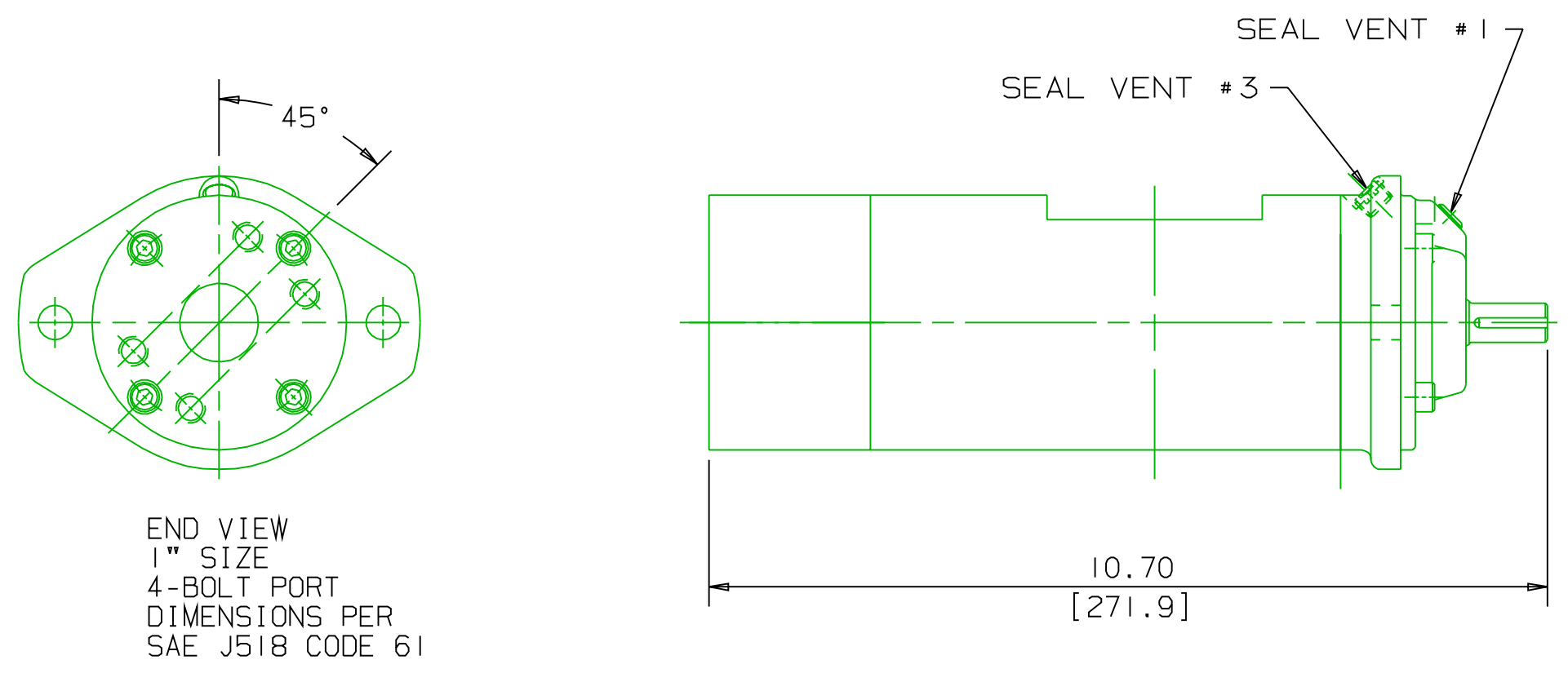
OTHER INFORMATION -----

CERTIFIED BY -----

CERTIFIED DATE -----

IMO ORDER NUMBER -----

DATA REVISION NUMBER -----



- NOTES:
- TO MAXIMIZE SEAL LIFE, SEAL VENT MUST BE ORIENTED UPWARD (12 O'CLOCK) WHEN PUMP IS INSTALLED HORIZONTALLY. VENT ORIENTATION IS NOT CRITICAL WHEN PUMP IS INSTALLED WITH SHAFT VERTICALLY UPWARD.
 - PORT, FOOT, AND SEAL VENT ORIENTATIONS ARE SUPPLIED AS SHOWN ON DRAWING UNLESS OTHERWISE SPECIFIED.
 - ALTERNATE PORT AND FOOT ORIENTATIONS ARE PROVIDED IF SPECIFIED ON ORDER. AVAILABLE ORIENTATIONS ARE 3, 6, 9, AND 12 O'CLOCK.
 - BOLT PATTERN FOR SAE 4-BOLT AXIAL INLET IS ALWAYS ORIENTED AS SHOWN WITH RESPECT TO OUTLET PORT.
 - APPROXIMATE PUMP WEIGHT (WITHOUT ADAPTERS):
 FLANGE MOUNT PUMP-- 18.0 LBS. [8.2 kgs]
 FOOT MOUNT PUMP---- 20.1 LBS. [9.1 kgs]
 - UNLESS OTHERWISE SPECIFIED, ALL DIMENSIONS ARE IN INCHES. DIMENSIONS IN [] ARE MILLIMETERS.

MATERIAL

PROCESS

COMMENTS:
 STANDARD ROTATION IS COUNTERCLOCKWISE WHEN VIEWED FROM COUPLING END OF PUMP. SUCTION STRAINER AND DISCHARGE RELIEF VALVE MUST BE PROVIDED.
 UNITS ARE ACCURATELY ALIGNED AT THE FACTORY. ALIGNMENT SHOULD BE CHECKED BEFORE STARTING TO ENSURE THAT IT IS STILL WITHIN .005 [0.13] F.T.M.
 FLUSH SUCTION PIPING BEFORE CONNECTING PUMP. PRIME AND VENT PUMP. DO NOT START PUMP WITH VALVES CLOSED. READ INSTRUCTION MANUAL FOR DETAILS BEFORE STARTING.

WEB ADDRESS: WWW. IMO-PUMP.COM EMAIL: IMO.PUMP@COLFAXCORP.COM

DRAWN ERH 3-3-99

CHECKED NRS 3-25-99

APPD MJC 3-25-99

METHODS

Imo Pump
 1710 Airport Road
 PO Box 5020
 Monroe, NC USA
 28111.5020

TITLE
 OUTLINE STANDARD (STEEL)
 AA3G / S-AA095

SIZE CAGE CODE DWG NO
 F 59180 SDD19643

SCALE 1/2 WEIGHT SEE NOTE 5 SHEET 1 OF 1

STEEL 3G-095