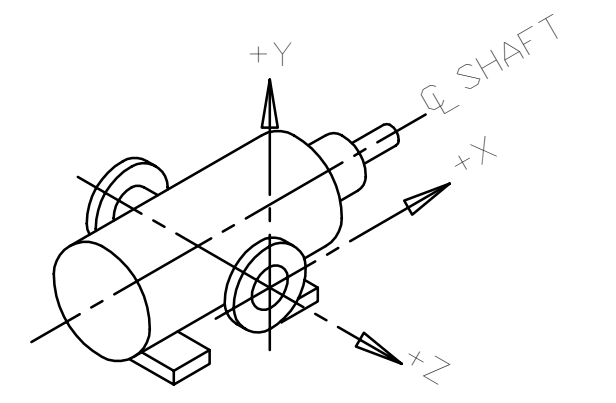
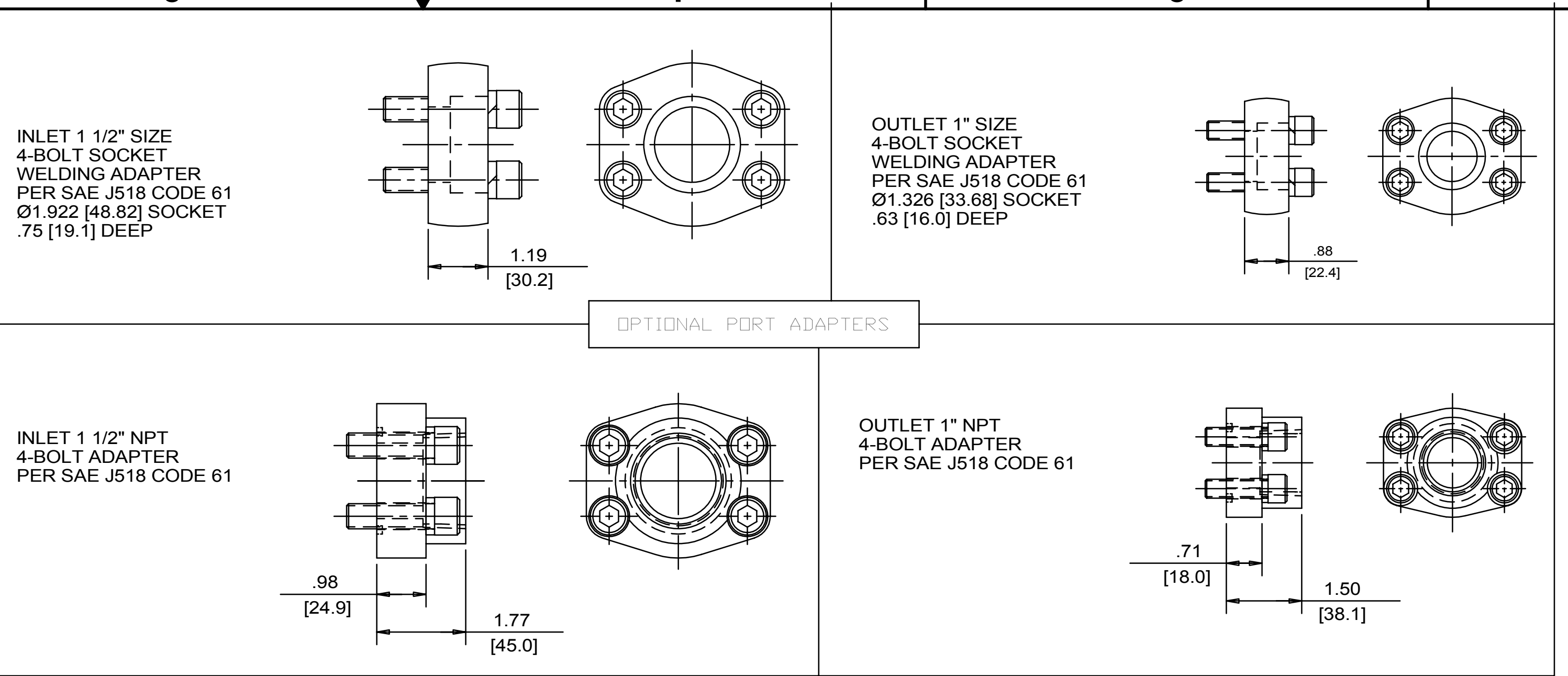
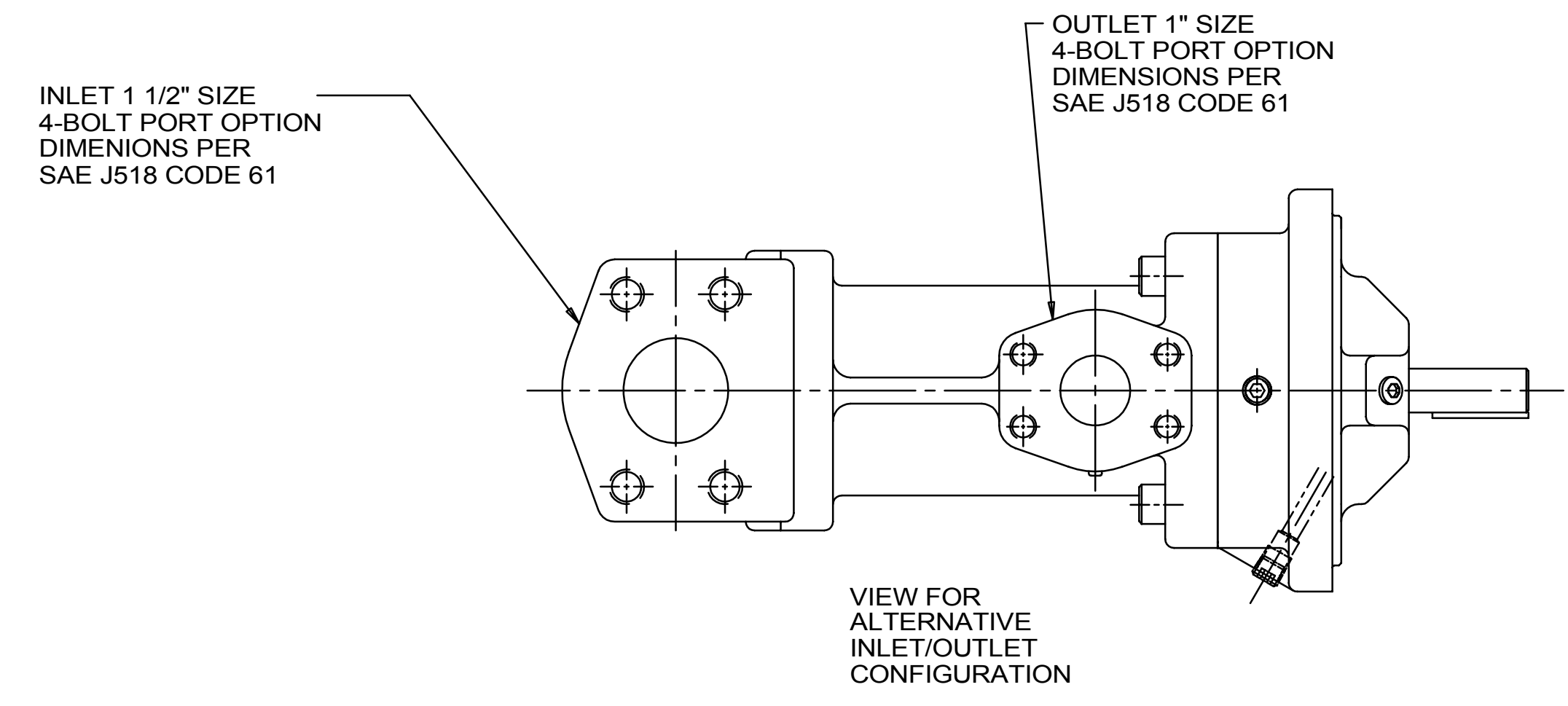


| REVISION HISTORY | | | | | | |
|------------------|------|-----|------------------------|---------|-----|----------|
| CHG NO | ZONE | REV | DESCRIPTION | DATE | BY | APPROVED |
| 11-0187 | ALL | 11 | CHANGED TITLE, WAS A3G | 5-16-11 | ERH | ERH |

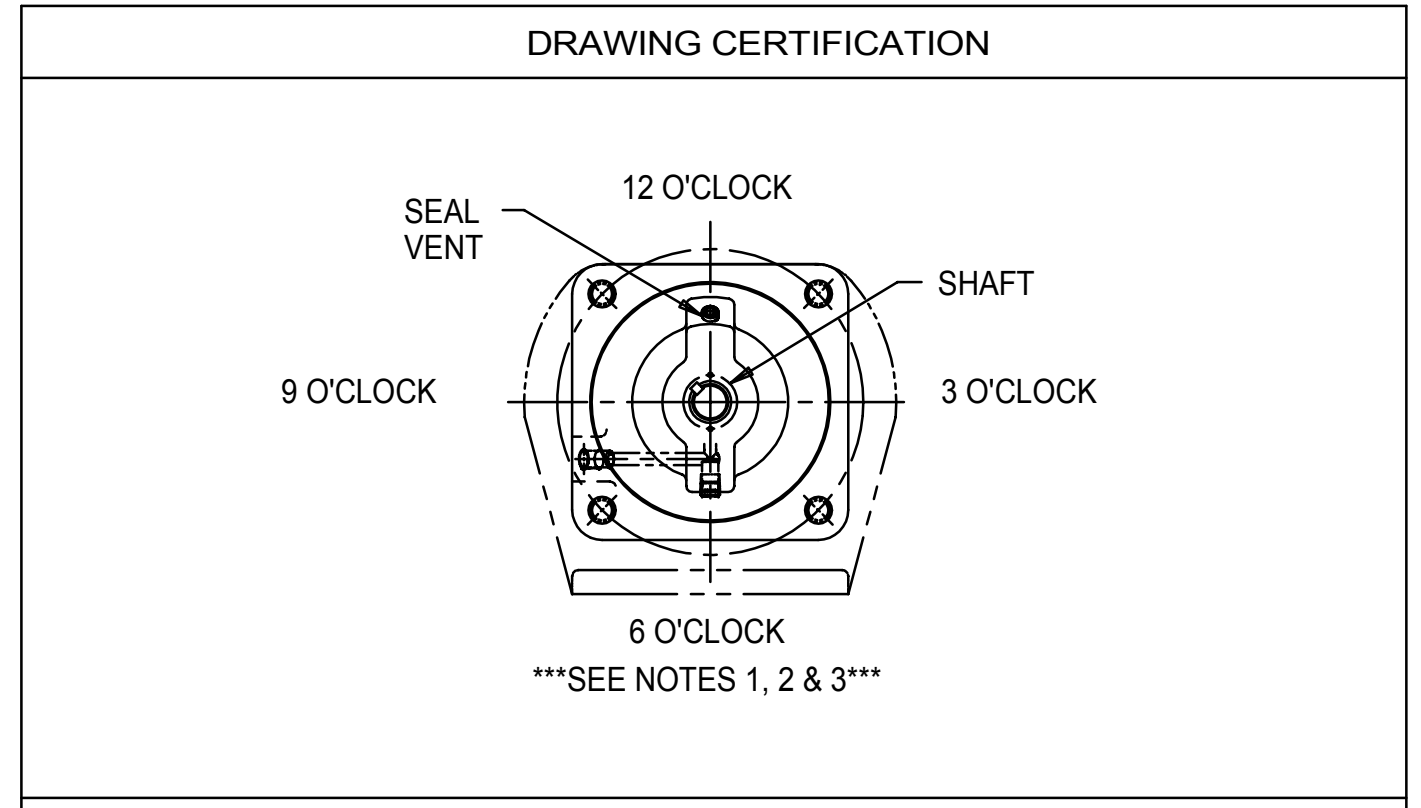
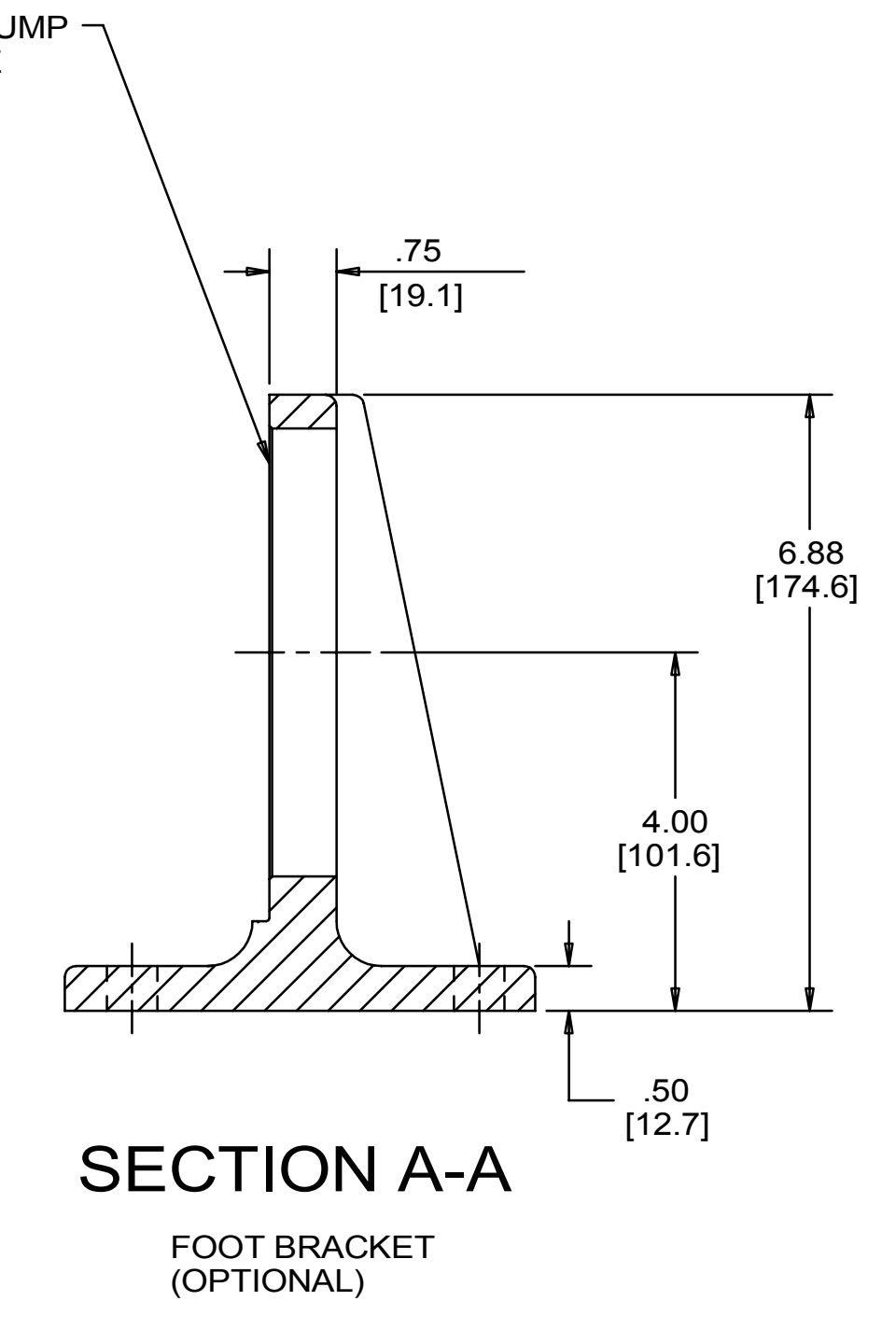
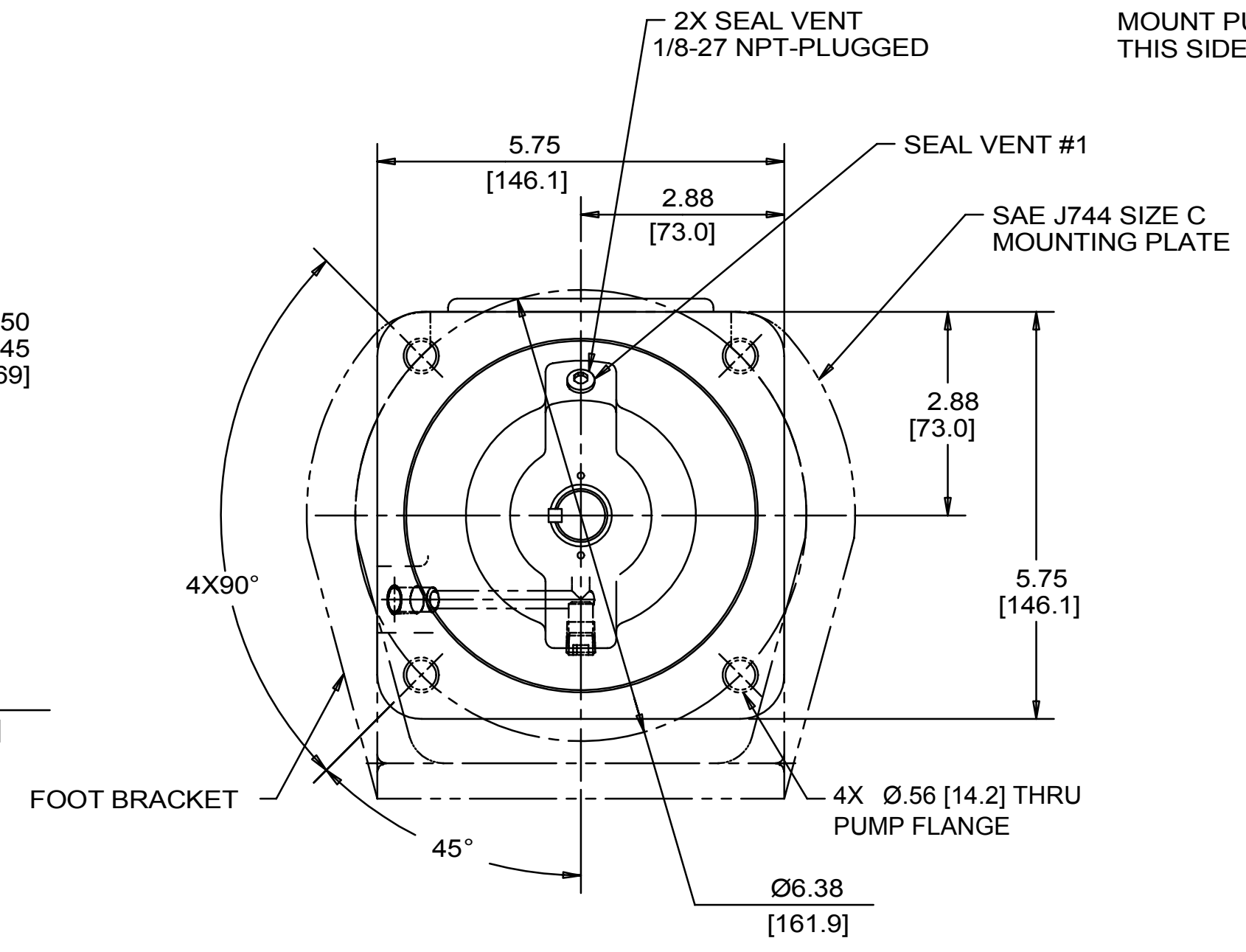
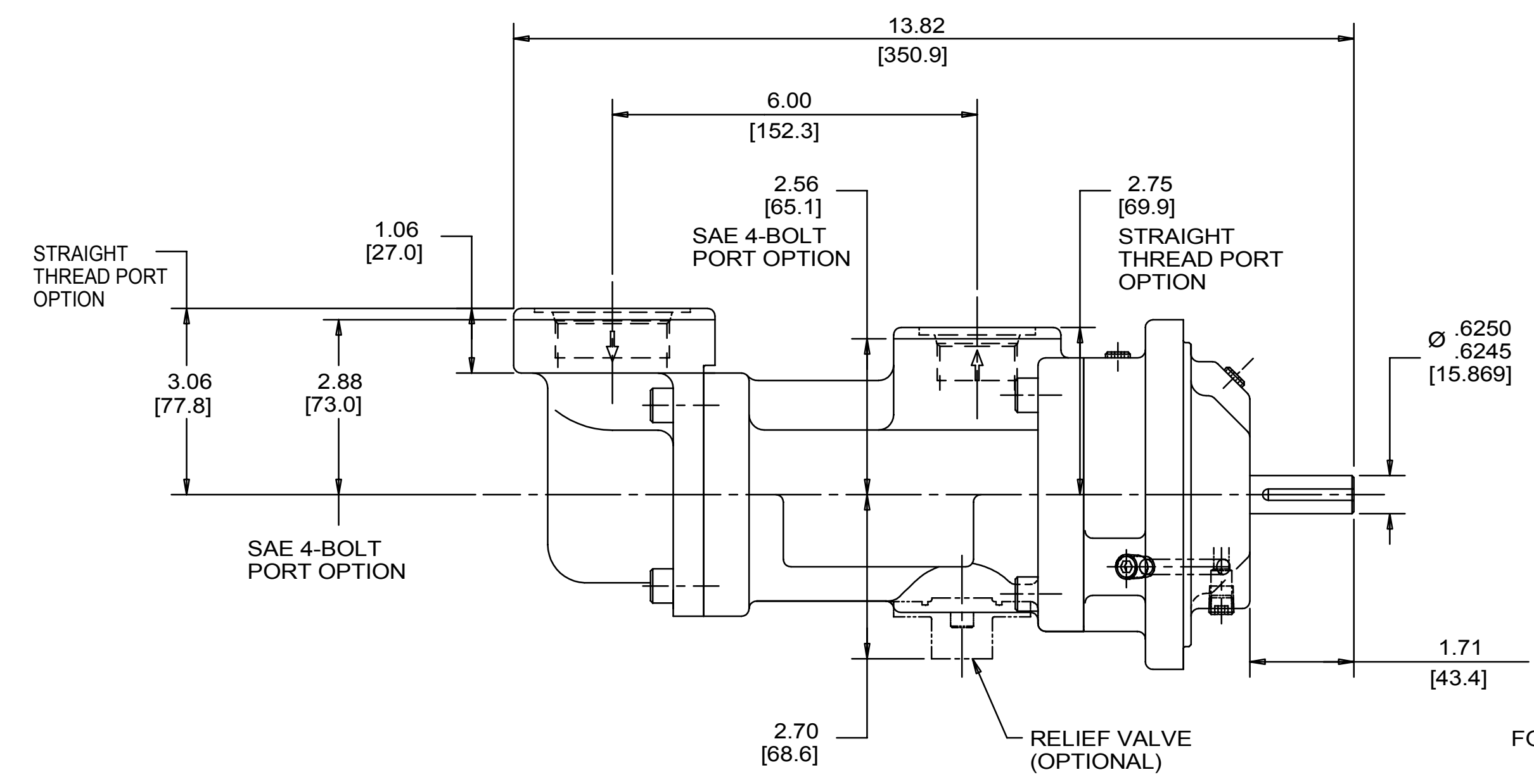
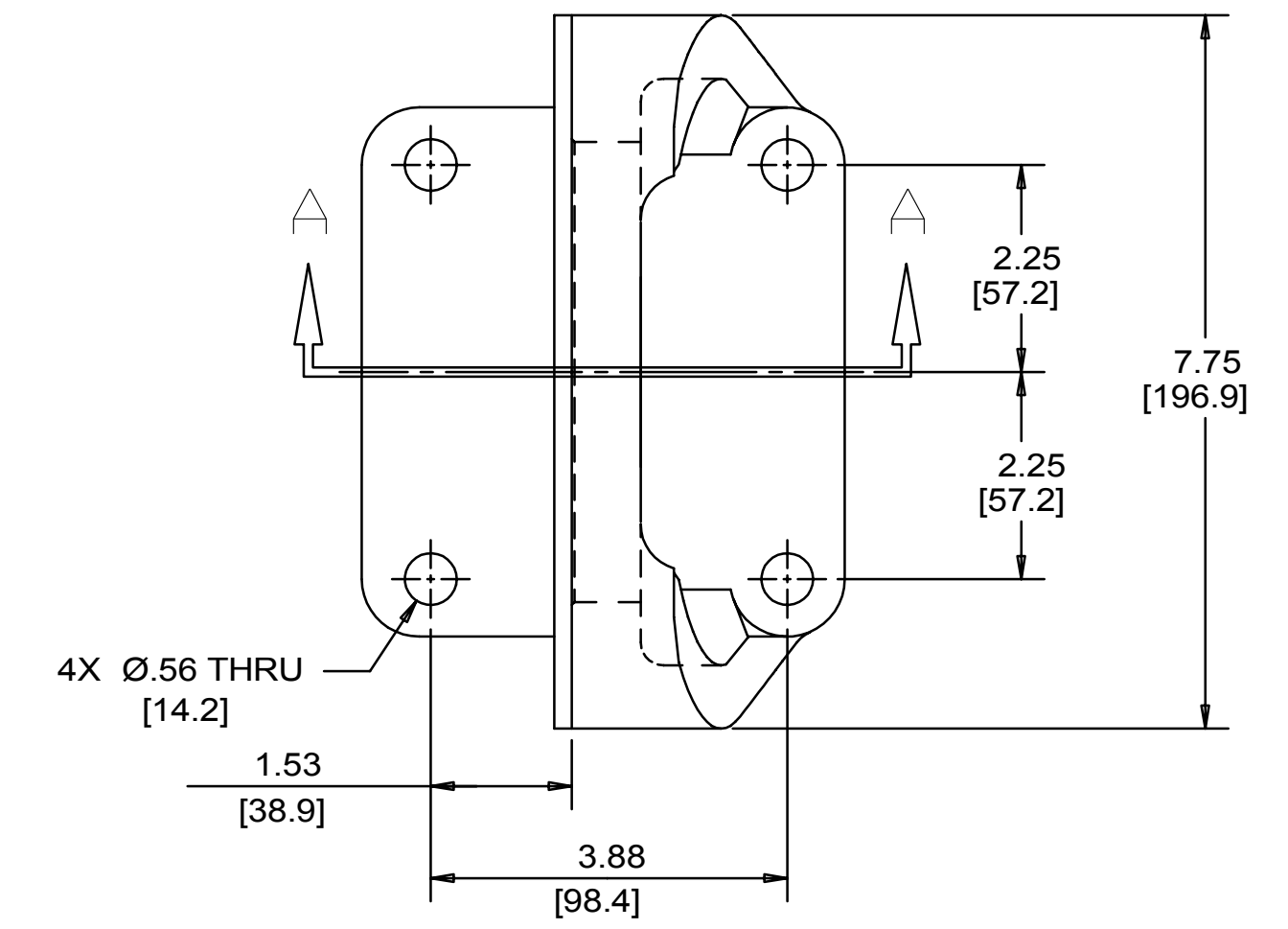
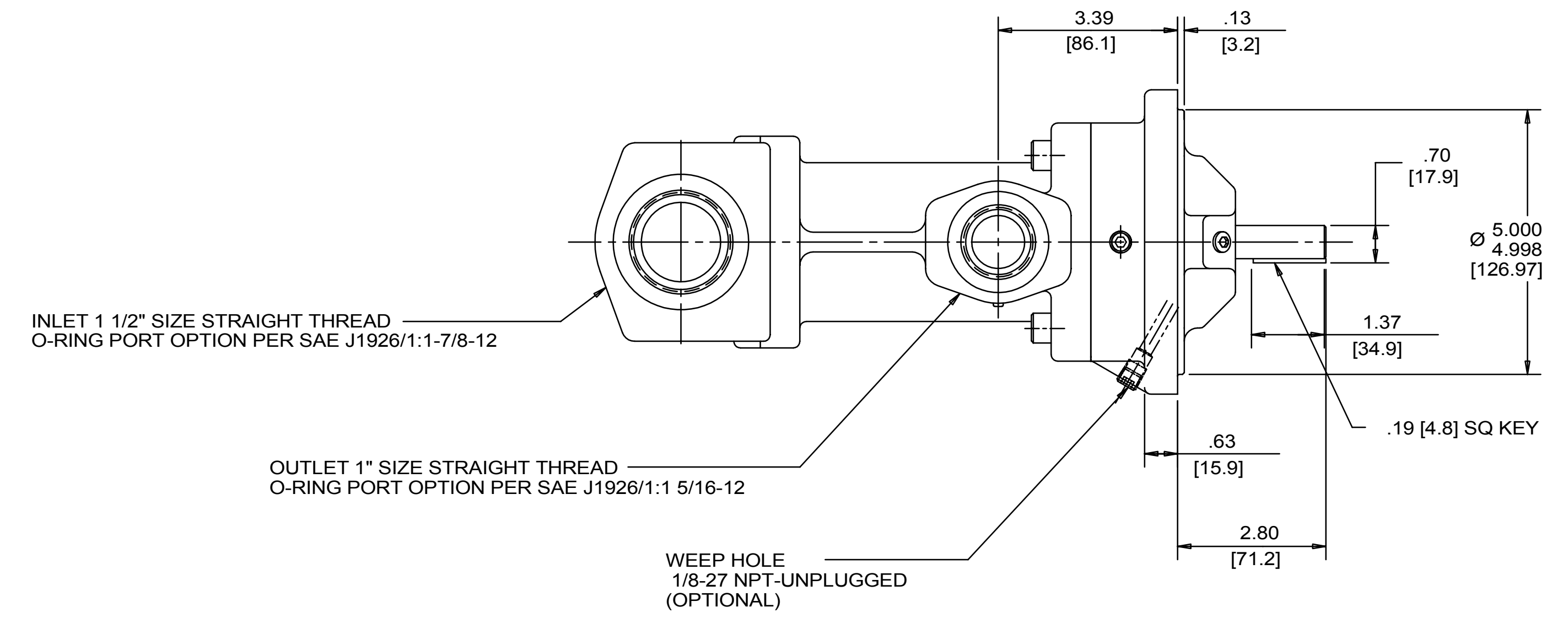


COORDINATE SYSTEM FOR MAXIMUM PUMP FORCES (F) AND MOMENTS (M)

INLET:
 FX= 113 LBF (500 N) MX= 188 LB FT (254 N.m)
 FY= 113 LBF (500 N) MY= 188 LB FT (254 N.m)
 FZ= 113 LBF (500 N) MZ= 188 LB FT (254 N.m)

OUTLET:
 FX= 75 LBF (334 N) MX= 125 LB FT (169 N.m)
 FY= 75 LBF (334 N) MY= 125 LB FT (169 N.m)
 FZ= 75 LBF (334 N) MZ= 125 LB FT (169 N.m)

FORCE AND MOMENT VALUES ARE RELATIVE TO CENTER OF INLET AND OUTLET PORT FACES.



CUSTOMER NAME -----

CUSTOMER PO NUMBER -----

CUSTOMER PART NUMBER -----

BOM NUMBER -----

PUMP TYPE -----

SHAFT ROTATION -----

INLET PORT ORIENTATION -----

OUTLET PORT ORIENTATION -----

FOOT BRKT. ORIENTATION -----

INLET PORT OPTION -----

INLET ADAPTER OPTION -----

OUTLET PORT OPTION -----

OUTLET ADAPTER OPTION -----

RELIEF VALVE SET PRESSURE, IF APPLICABLE -----

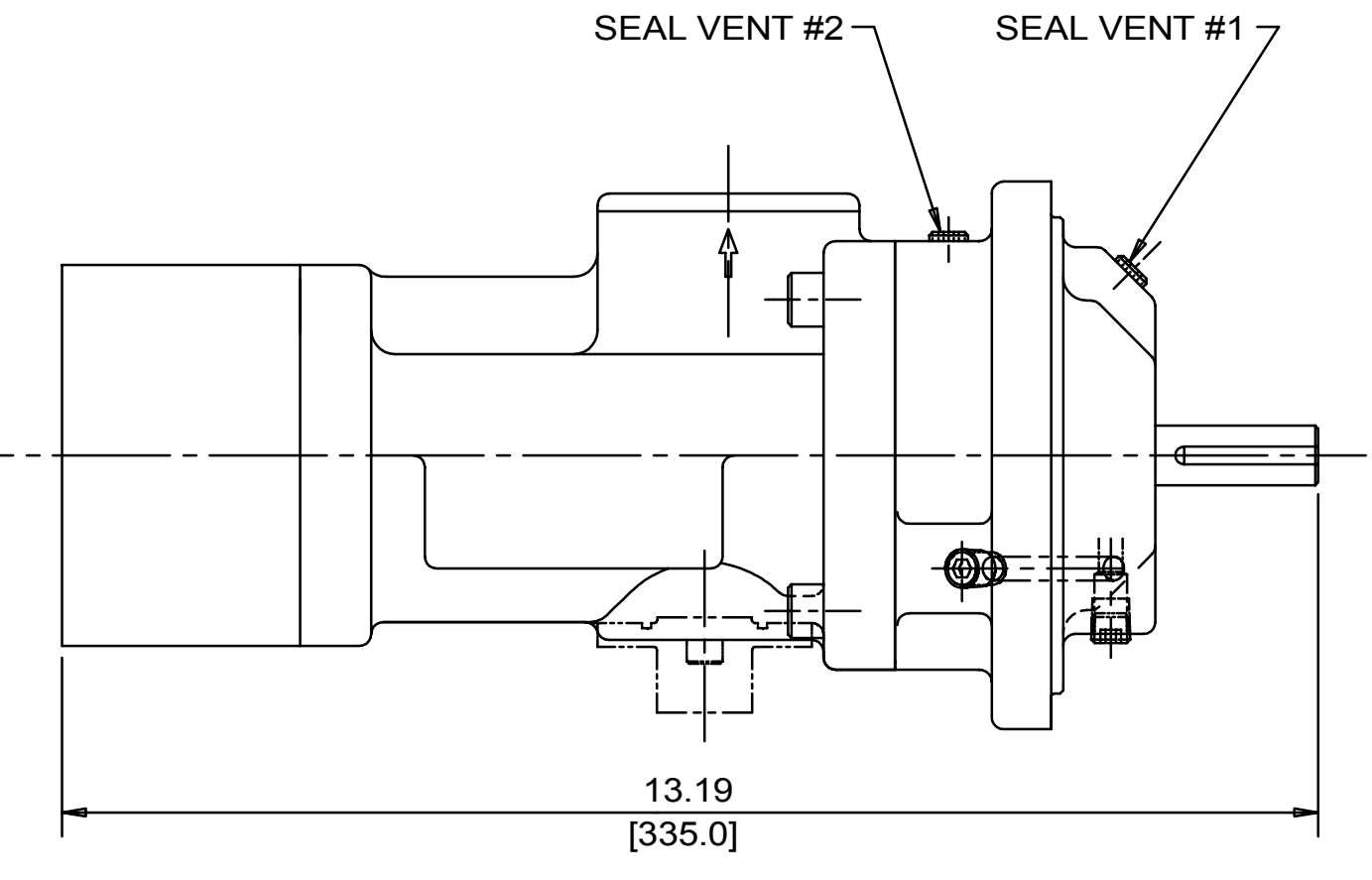
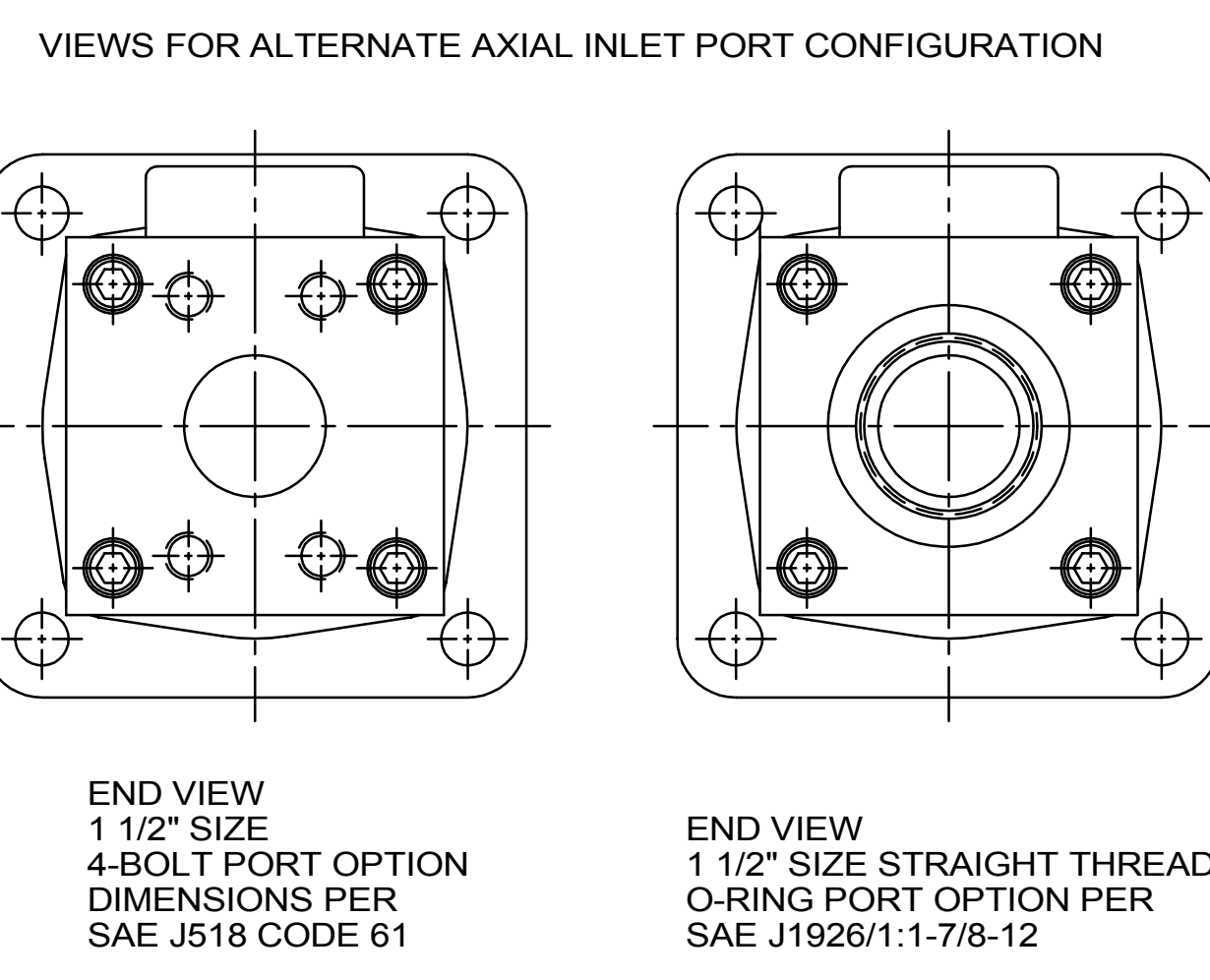
OTHER INFORMATION -----

CERTIFIED BY -----

CERTIFIED DATE -----

IMO ORDER NUMBER -----

DATA REVISION NUMBER -----



- NOTES:
1. TO MAXIMIZE SEAL LIFE, SEAL VENT MUST BE ORIENTED UPWARD (12 O'CLOCK) WHEN PUMP IS INSTALLED HORIZONTALLY. VENT ORIENTATION IS NOT CRITICAL WHEN PUMP IS INSTALLED WITH SHAFT VERTICALLY UPWARD.
 2. PORT, FOOT, AND SEAL VENT ORIENTATIONS ARE SUPPLIED AS SHOWN ON DRAWING UNLESS OTHERWISE SPECIFIED.
 3. ALTERNATE PORT AND FOOT ORIENTATIONS ARE PROVIDED IF SPECIFIED ON ORDER. AVAILABLE ORIENTATIONS ARE 3, 6, 9, AND 12 O'CLOCK.
 4. BOLT PATTERN FOR SAE 4-BOLT AXIAL INLET IS ALWAYS ORIENTED AS SHOWN WITH RESPECT TO OUTLET PORT.
 5. APPROXIMATE PUMP WEIGHT (WITHOUT ADAPTERS):
 FLANGE MOUNT PUMP--- 33.9 LBS. [15.4 kgs]
 FOOT MOUNT PUMP--- 46.1 LBS. [21.0 kgs]
 6. UNLESS OTHERWISE SPECIFIED ALL DIMENSIONS ARE IN INCHES. DIMENSIONS IN [] ARE MILLIMETERS.

| | | | | |
|----------|-----|----------|--------|---|
| DRAWN | ERH | 11-19-98 | | Imo Pump 1710 Airport Road PO Box 5020 Monroe, NC USA 28111-5020 |
| CHECKED | CDG | 01-07-99 | | |
| APPROVED | MJC | 01-07-99 | TITLE | OUTLINE STANDARD (IRON) |
| METHODS | | | SIZE | 3G/-----118-- |
| | | | SCALE | 1/2 |
| | | | WEIGHT | SEE NOTE 5 |
| | | | SHEET | 1 OF 1 |