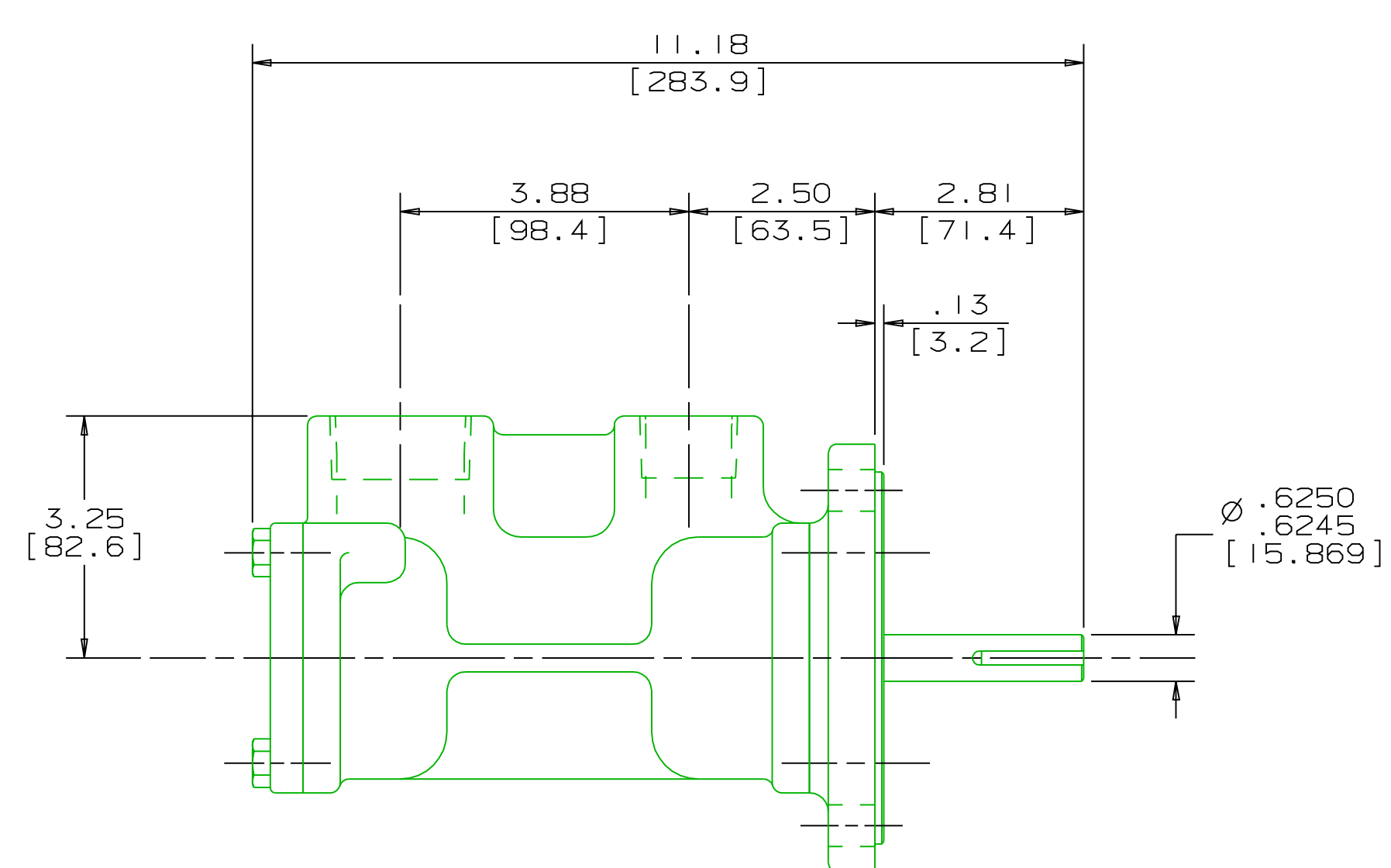
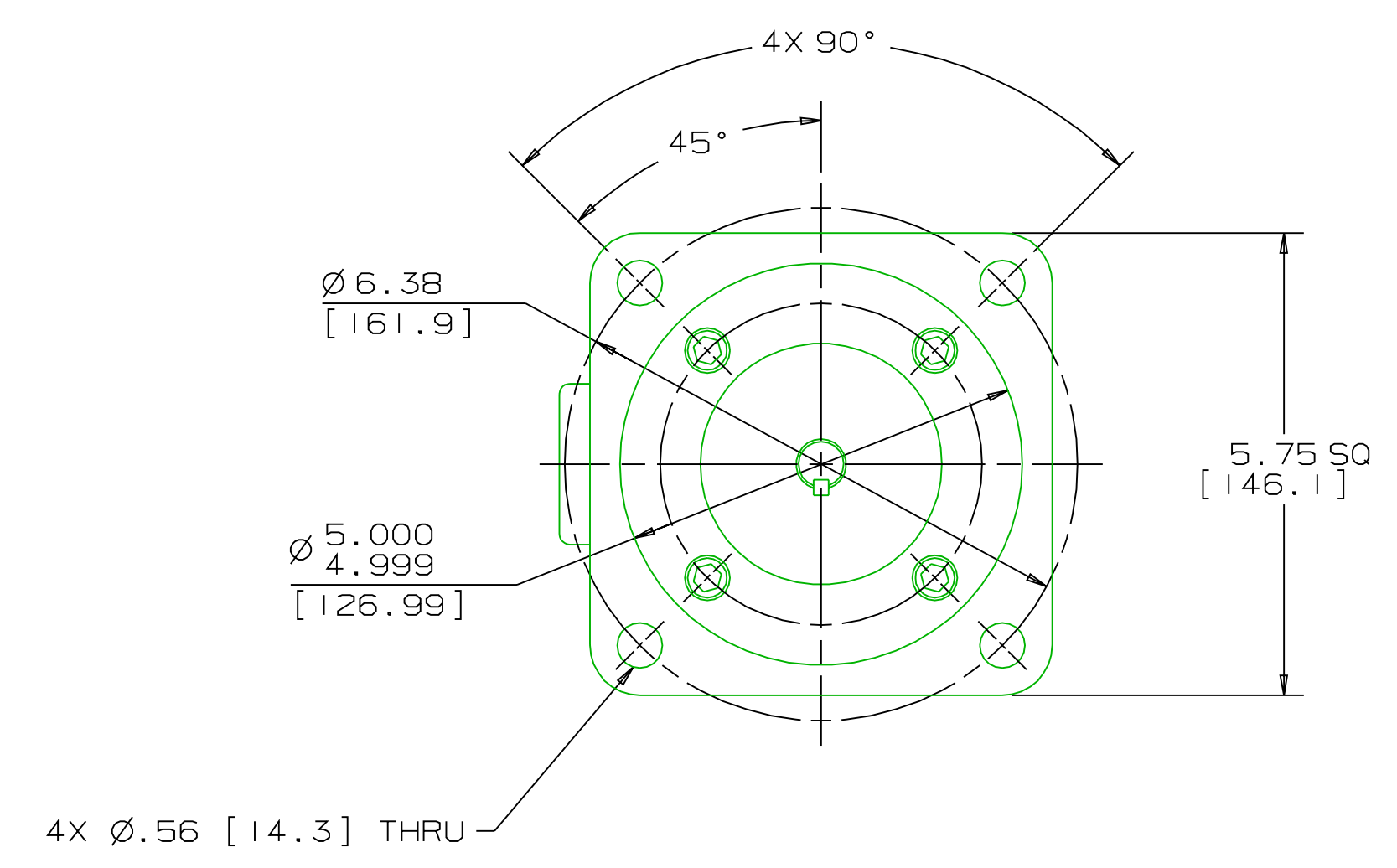
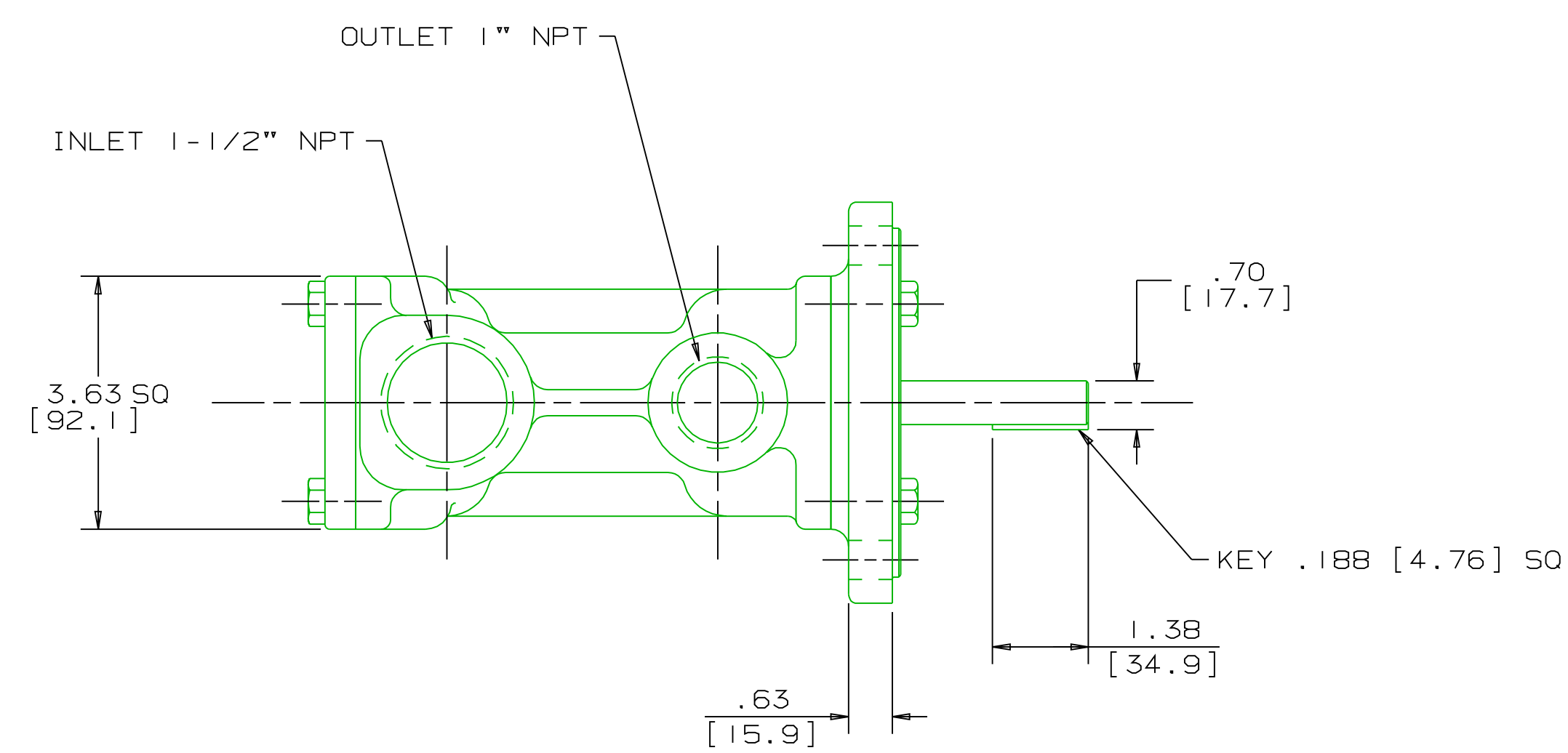


REVISION HISTORY						
CHG NO	ZONE	REV	DESCRIPTION	DATE	BY	APPROVED



← ROTATION →

DRAWING CERTIFICATION	
CUSTOMER NAME	-----
CUSTOMER PO NUMBER	---
CUSTOMER PART NUMBER	-
BOM NUMBER	-----
PUMP TYPE	-----
SHAFT ROTATION	-----
OTHER INFORMATION	
CERTIFIED BY	-----
CERTIFIED DATE	-----
IMO ORDER NUMBER	-----
DATA REVISION NUMBER	-

NOTES:
1. UNLESS OTHERWISE SPECIFIED,
ALL DIMENSIONS ARE IN INCHES.
DIMENSIONS IN [] ARE MILLIMETERS.

WEB ADDRESS: WWW.IMO-PUMP.COM EMAIL: IMO.PUMP@COLFAXCORP.COM

DRAWN WLW 4-20-00
CHECKED WLW 5-17-00
APPROV WLW 5-17-00

Imo Pump
1710 Airport Road
PO Box 5020
Monroe, NC USA
28111.5020

MATERIAL

PROCESS

COMMENTS:
STANDARD ROTATION IS CLOCKWISE WHEN VIEWED FROM COUPLING END OF PUMP. SUCTION STRAINER AND DISCHARGE RELIEF VALVE MUST BE PROVIDED.
ALIGNMENT:
UNITS ARE ACCURATELY ALIGNED AT THE FACTORY. ALIGNMENT SHOULD BE CHECKED BEFORE STARTING TO ENSURE THAT IT IS STILL WITHIN .005 [0.13] FTW.
PRESTARTING:
FLUSH SUCTION PIPING BEFORE CONNECTING PUMP. PRIME AND VENT PUMP. DO NOT START PUMP WITH VALVES CLOSED. READ INSTRUCTION MANUAL FOR DETAILS BEFORE STARTING.

TITLE
OUTLINE STANDARD _3E1C-118_

THIRD ANGLE PROJECTION

FIRST ORDER

SIZE CAGE CODE DWG NO
D 59180 SDD 19924

USED ON
3241/220

SCALE 1/2 WEIGHT 27 LBS [12.2 kg] SHEET 1 OF 1