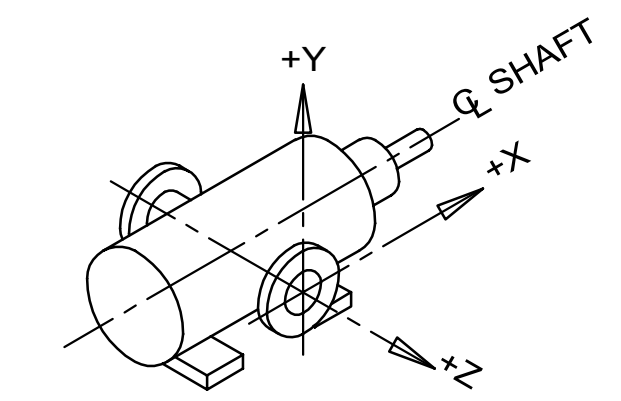
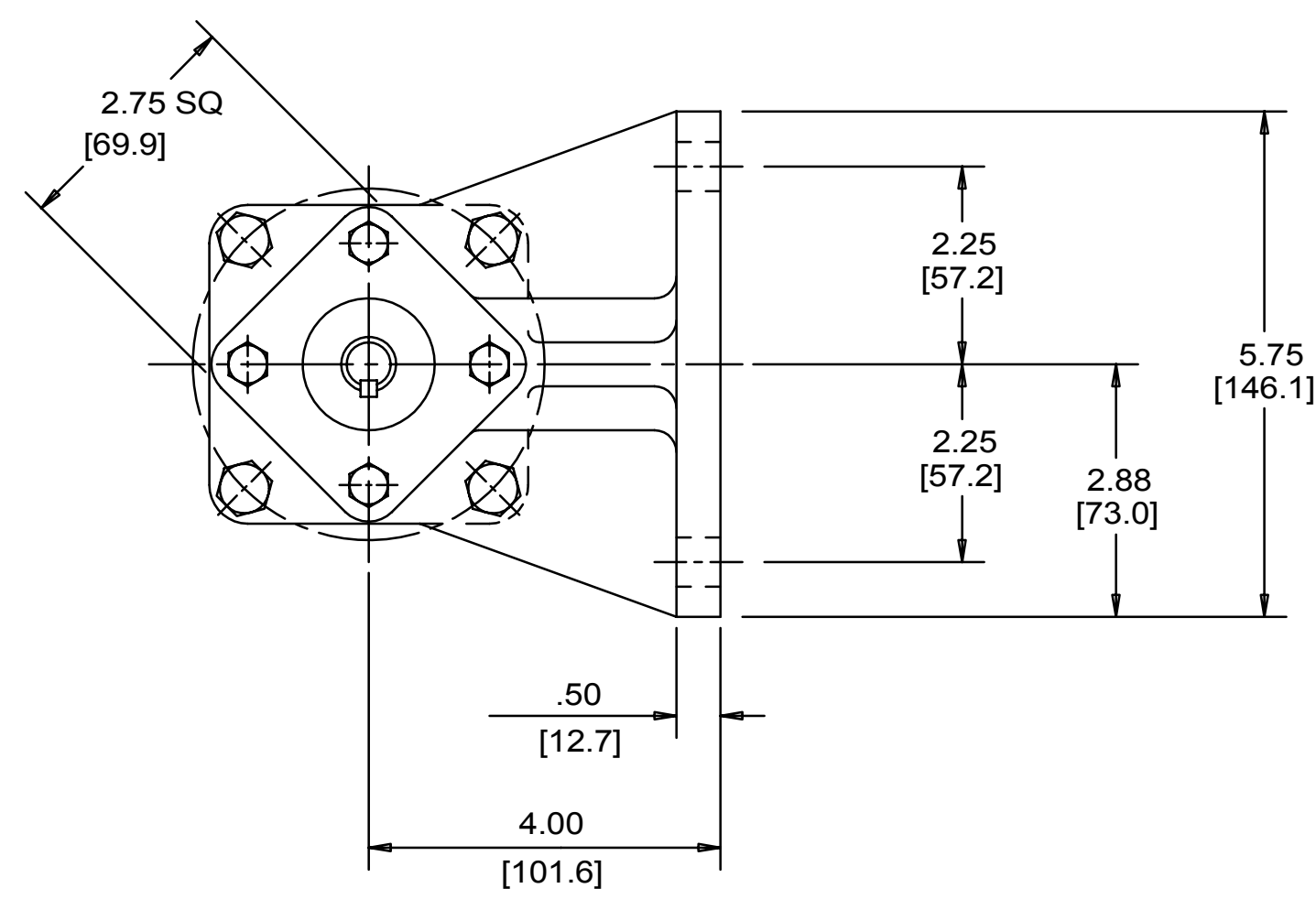
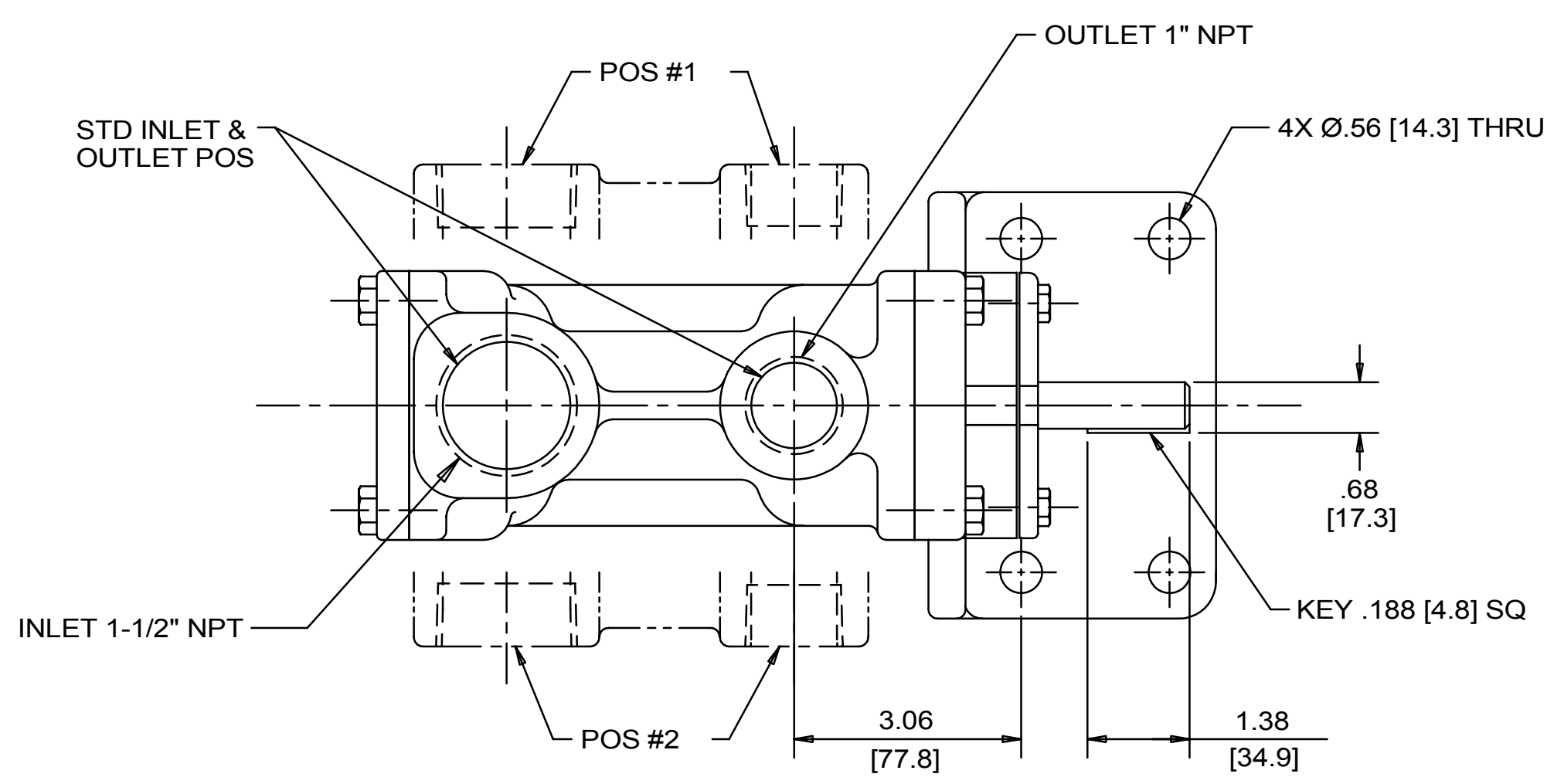


REVISION HISTORY					
CHG NO	ZONE	REV	DESCRIPTION	DATE	BY / APPROVED
07-0355	C1,C2	02	ADDED API NOZZLE LOADS	8-14-07	ERH / ERH

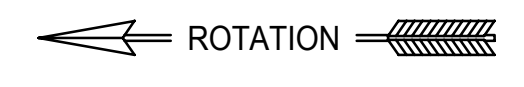
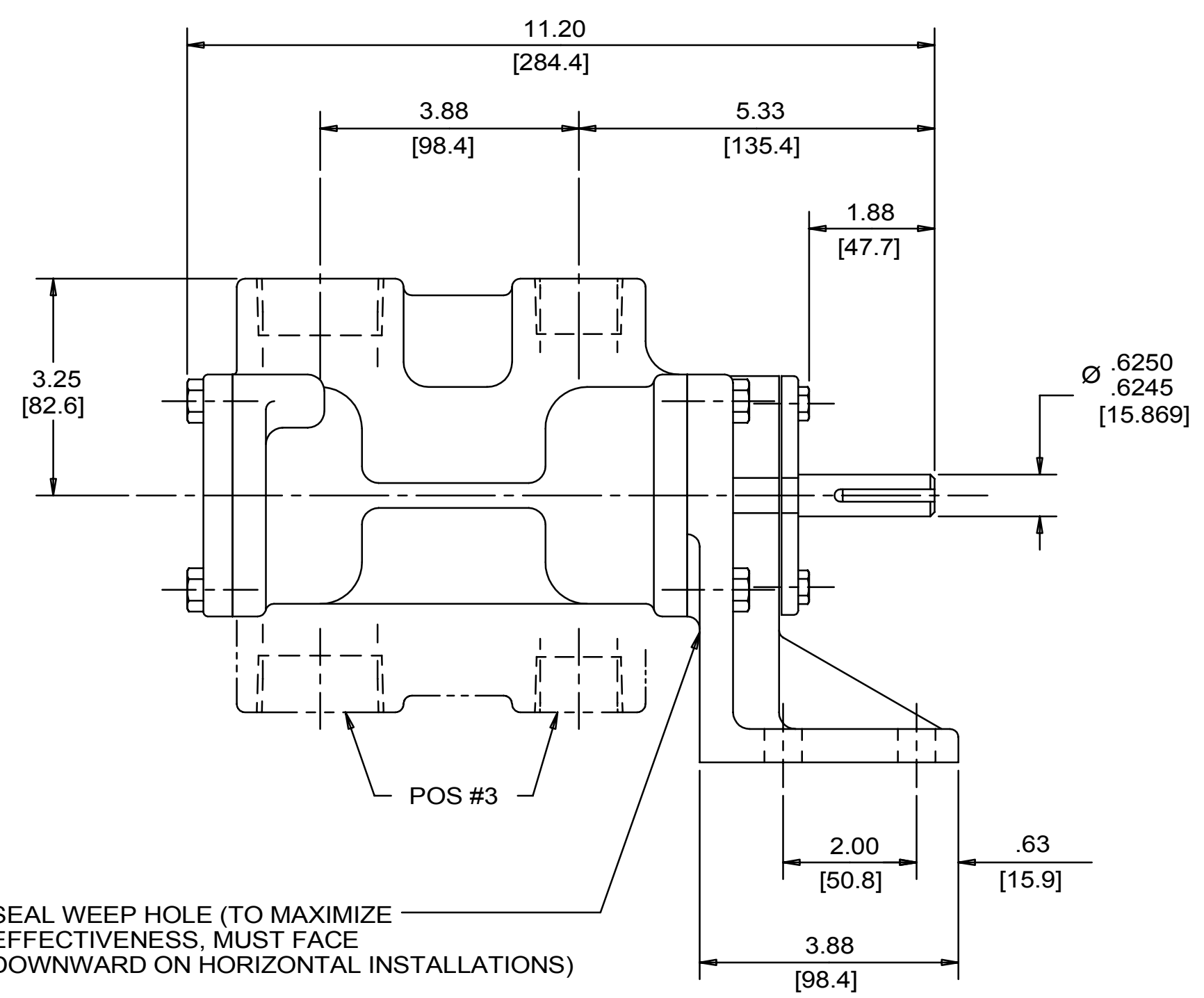


COORDINATE SYSTEM FOR MAXIMUM PUMP FORCES (F) AND MOMENTS (M)

INLET:
 FX= 28.1 LBF [125 N] MX= 46.9 LB FT [63.6 N.m]
 FY= 28.1 LBF [125 N] MY= 46.9 LB FT [63.6 N.m]
 FZ= 28.1 LBF [125 N] MZ= 46.9 LB FT [63.6 N.m]

OUTLET:
 FX= 18.8 LBF [83.4 N] MX= 31.3 LB FT [42.4 N.m]
 FY= 18.8 LBF [83.4 N] MY= 31.3 LB FT [42.4 N.m]
 FZ= 18.8 LBF [83.4 N] MZ= 31.3 LB FT [42.4 N.m]

FORCE AND MOMENT VALUES ARE RELATIVE TO CENTER OF INLET AND OUTLET PORT FACES.



DRAWING CERTIFICATION	
CUSTOMER NAME	-----
CUSTOMER PO NUMBER	---
CUSTOMER PART NUMBER	-
BOM NUMBER	-----
PUMP TYPE	-----
SHAFT ROTATION	-----
PORT POSITION	-----
OTHER INFORMATION	
CERTIFIED BY	-----
CERTIFIED DATE	-----
IMO ORDER NUMBER	-----
DATA REVISION NUMBER	-

NOTES:

- UNLESS OTHERWISE SPECIFIED, ALL DIMENSIONS ARE IN INCHES. DIMENSIONS IN [] ARE MILLIMETERS.
- PORT POSITIONS ARE RELATIVE TO THE WEEP HOLE FACING DOWNWARD.

DRAWN	DMM	3-19-98	 Imo Pump 1710 Airport Road PO Box 5020 Monroe, NC USA 28111.5020	TITLE OUTLINE STANDARD _3E_F-I18_
CHECKED	MJC	3-24-98		
APPD	MJC	3-24-98		
MATERIAL	UNLESS OTHERWISE SPECIFIED ANSI Y14.5M-1994		SIZE	CAGE CODE
PROCESS	COMMENTS: SUCTION STRAINER AND DISCHARGE RELIEF VALVE MUST BE PROVIDED. ALIGNMENT: UNITS ARE ACCURATELY ALIGNED AT THE FACTORY. ALIGNMENT SHOULD BE CHECKED BEFORE STARTING TO ENSURE THAT IT IS STILL WITHIN .005 (0.125) MM. PRE-STARTING: FLUSH SUCTION PIPING BEFORE CONNECTING PUMP. PRIME AND VENT PUMP. READ INSTRUCTION MANUAL FOR DETAILS BEFORE STARTING.		FIRST ORDER	DWG NO
			818166	D 59180
			3241/260	SCALE 1/2
				WEIGHT 27 LBS [12.2kg]
				SHEET 1 OF 1