

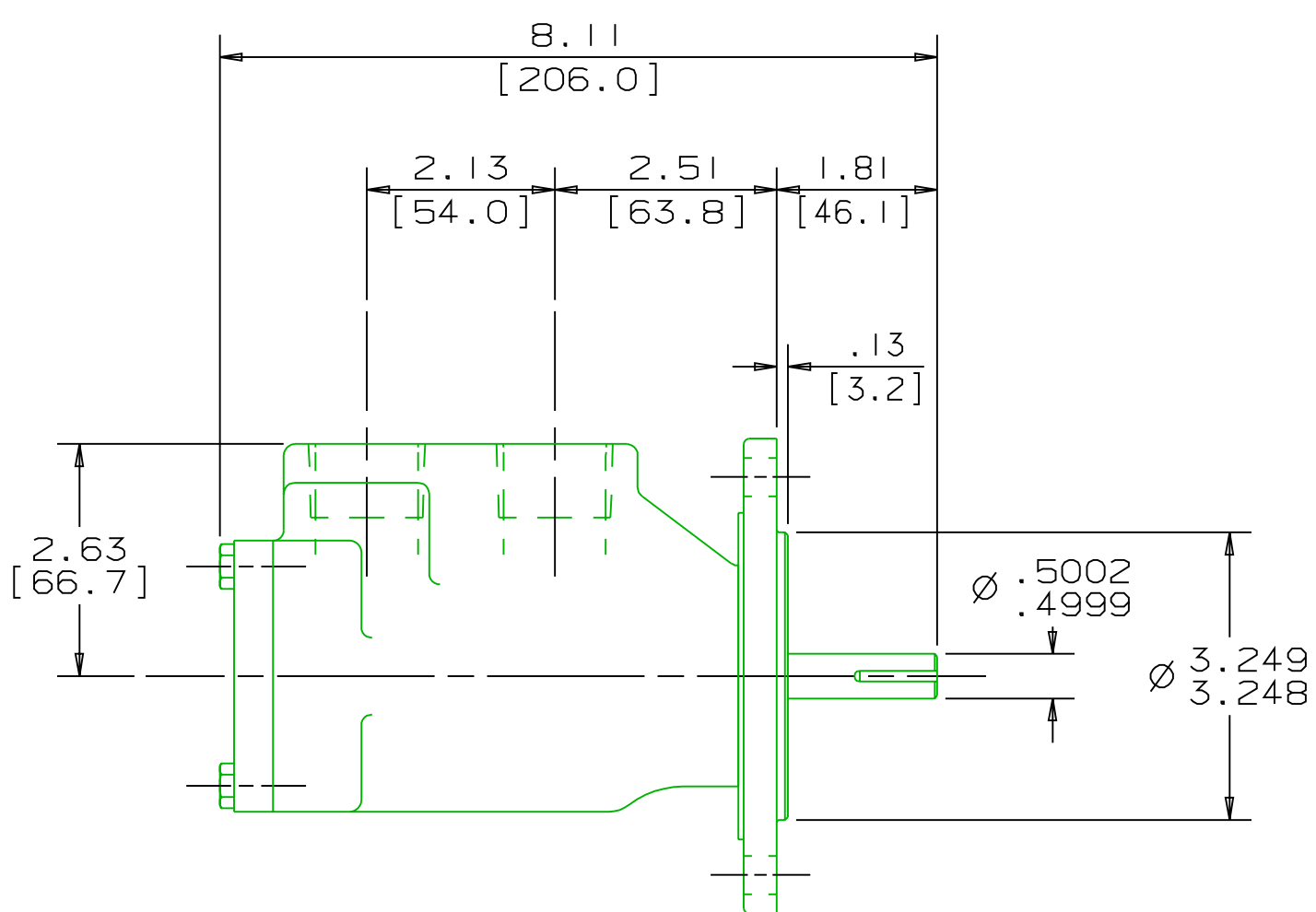
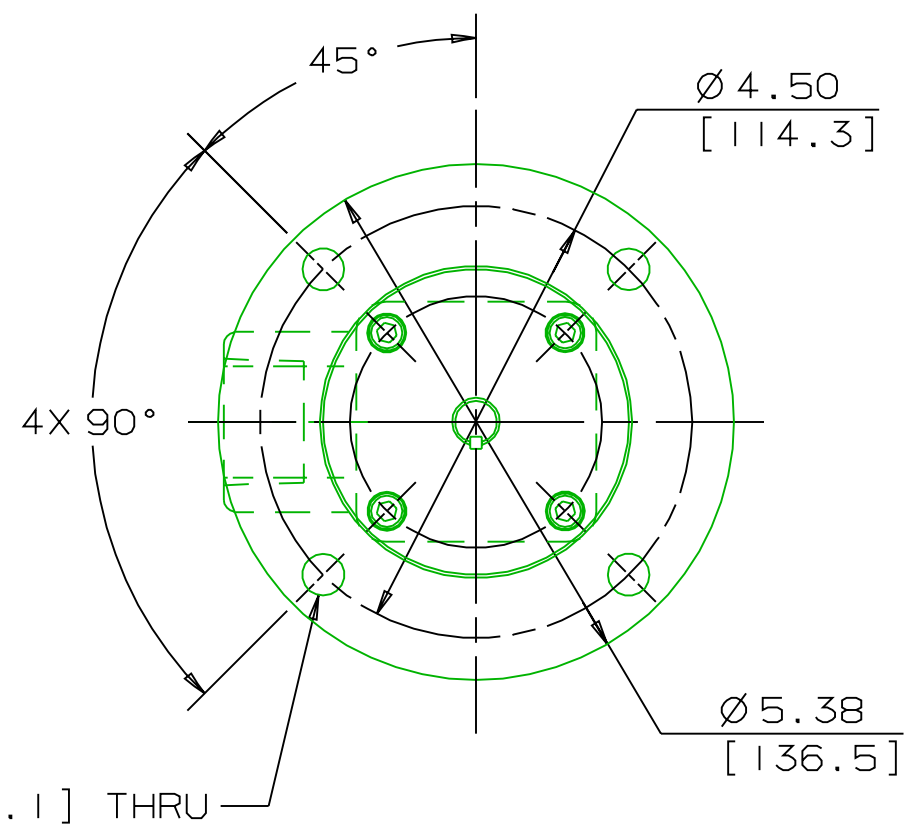
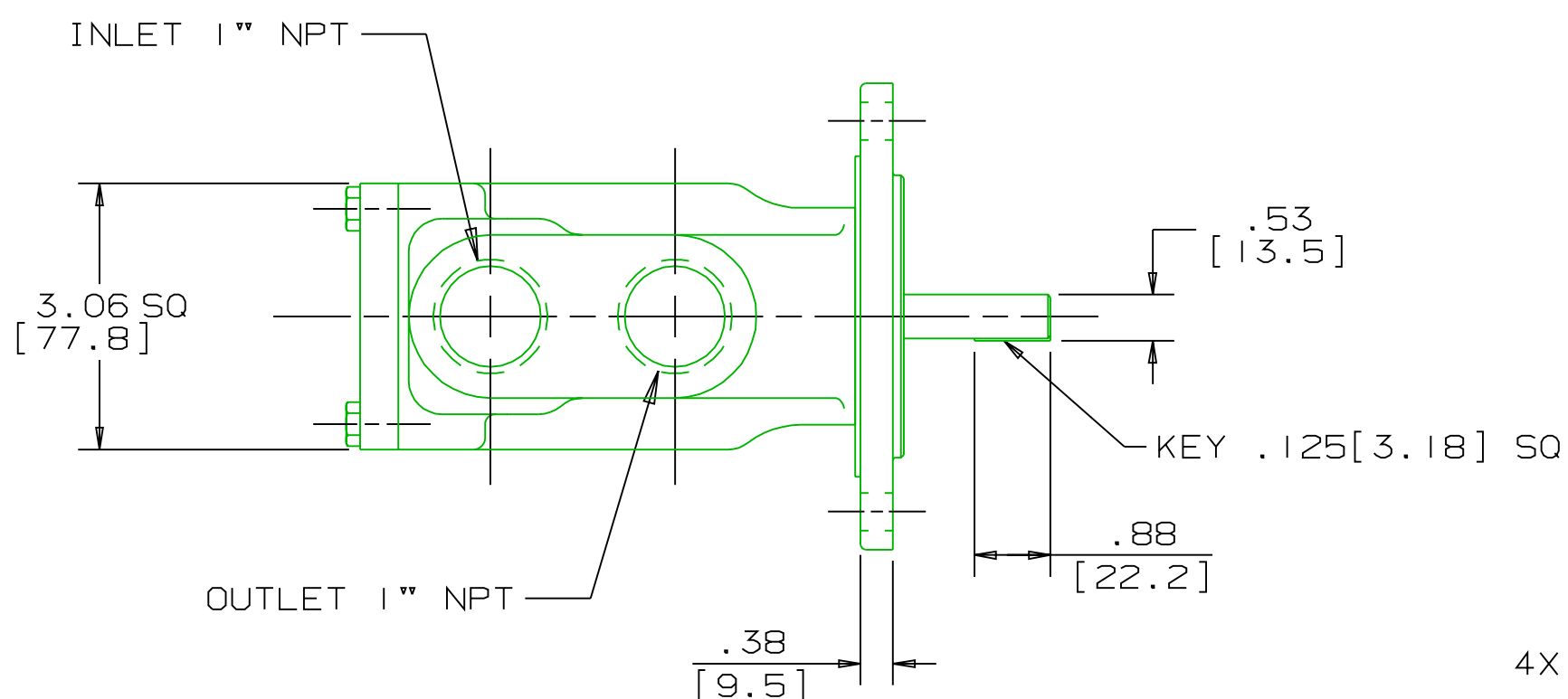
4

3

2

REVISION HISTORY


CHG NO	ZONE	REV	DESCRIPTION	DATE	BY	APPROVED
00-00292	ALL	1	ADD CERT BLOCK, EMAIL AND WEB ADDRESS, REV. DIMS.	5-12-00	WLW	WLW



← ROTATION →

DRAWING CERTIFICATION	
CUSTOMER NAME	-----
CUSTOMER PO NUMBER	---
CUSTOMER PART NUMBER	-
BOM NUMBER	-----
PUMP TYPE	-----
SHAFT ROTATION	-----
OTHER INFORMATION	
CERTIFIED BY	-----
CERTIFIED DATE	-----
IMO ORDER NUMBER	-----
DATA REVISION NUMBER	-

NOTES:
 1. UNLESS OTHERWISE SPECIFIED,
 ALL DIMENSIONS ARE IN INCHES.
 DIMENSIONS IN [] ARE MILLIMETERS.

WEB ADDRESS: WWW.IMO-PUMP.COM		EMAIL: IMO.PUMP@COLFAXCORP.COM				
MATERIAL	DRAWN DMM 9-5-97	 Imo Pump 1710 Airport Road PO Box 5020 Monroe, NC USA 28111.5020	TITLE OUTLINE STANDARD _3EICS-87_/95_			
PROCESS	CHECKED MJC 9-9-97					
COMMENTS: STANDARD ROTATION IS CLOCKWISE WHEN VIEWED FROM COUPLING END OF PUMP. SUCTION STRAINER AND DISCHARGE RELIEF VALVE MUST BE PROVIDED. ALIGNMENT: UNITS ARE ACCURATELY ALIGNED AT THE FACTORY. ALIGNMENT SHOULD BE CHECKED BEFORE STARTING TO ENSURE THAT IT IS STILL WITHIN .005 [0.13] FIM. PRESTARTING: FLUSH SUCTION PIPING BEFORE CONNECTING PUMP. PRIME AND VENT PUMP. DO NOT START PUMP WITH VALVES CLOSED. READ INSTRUCTION MANUAL FOR DETAILS BEFORE STARTING.	APPD MJC 9-9-97			SIZE C	CAGE CODE 59180	DWG NO SDD19147
	METHODS	THIRD ANGLE PROJECTION	FIRST ORDER 814019	SCALE 1/2	WEIGHT 9 LB [4.1 kg]	SHEET 1 OF 1

4

3

2

D

C

B

A

D

C

B

A