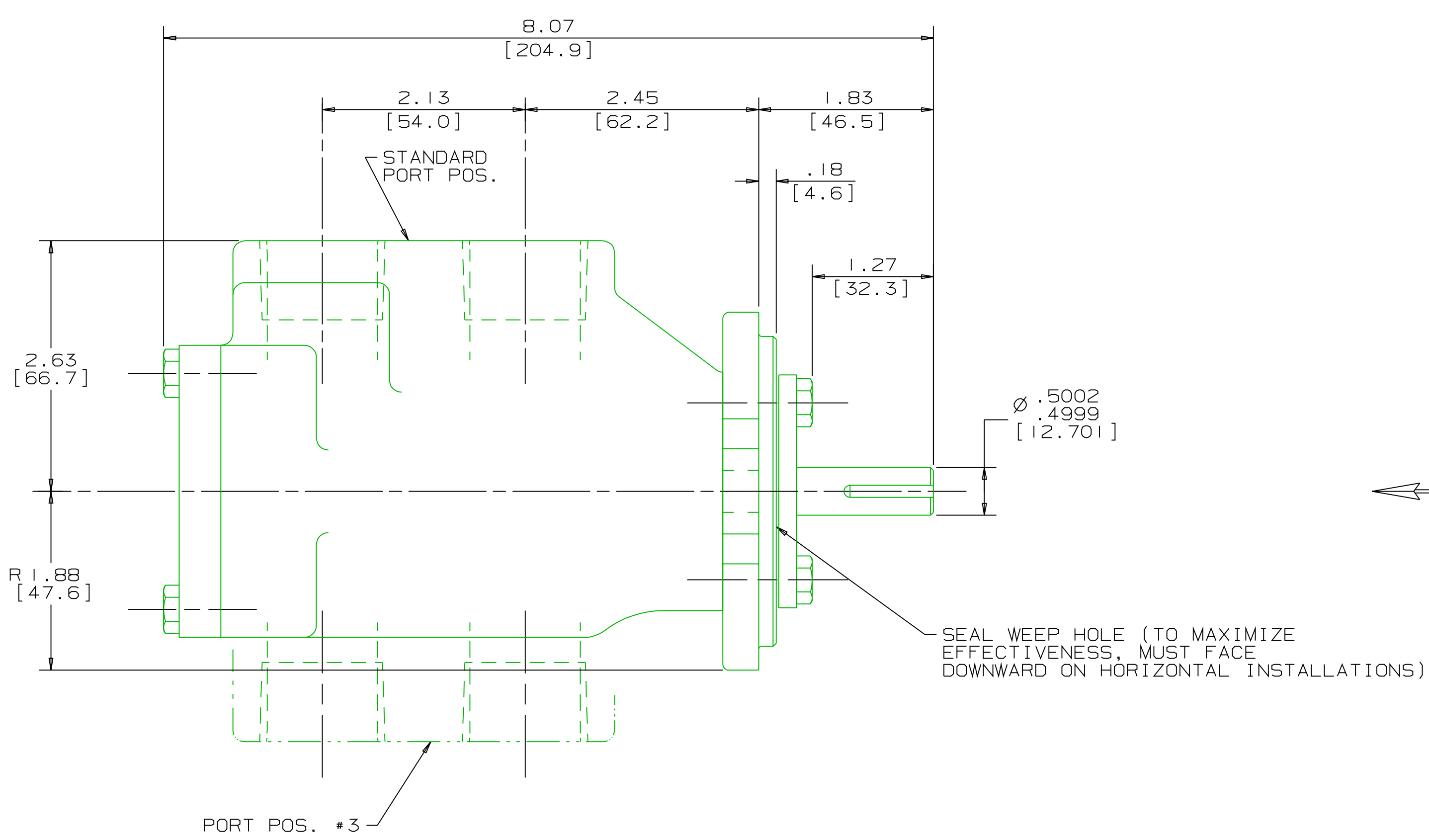
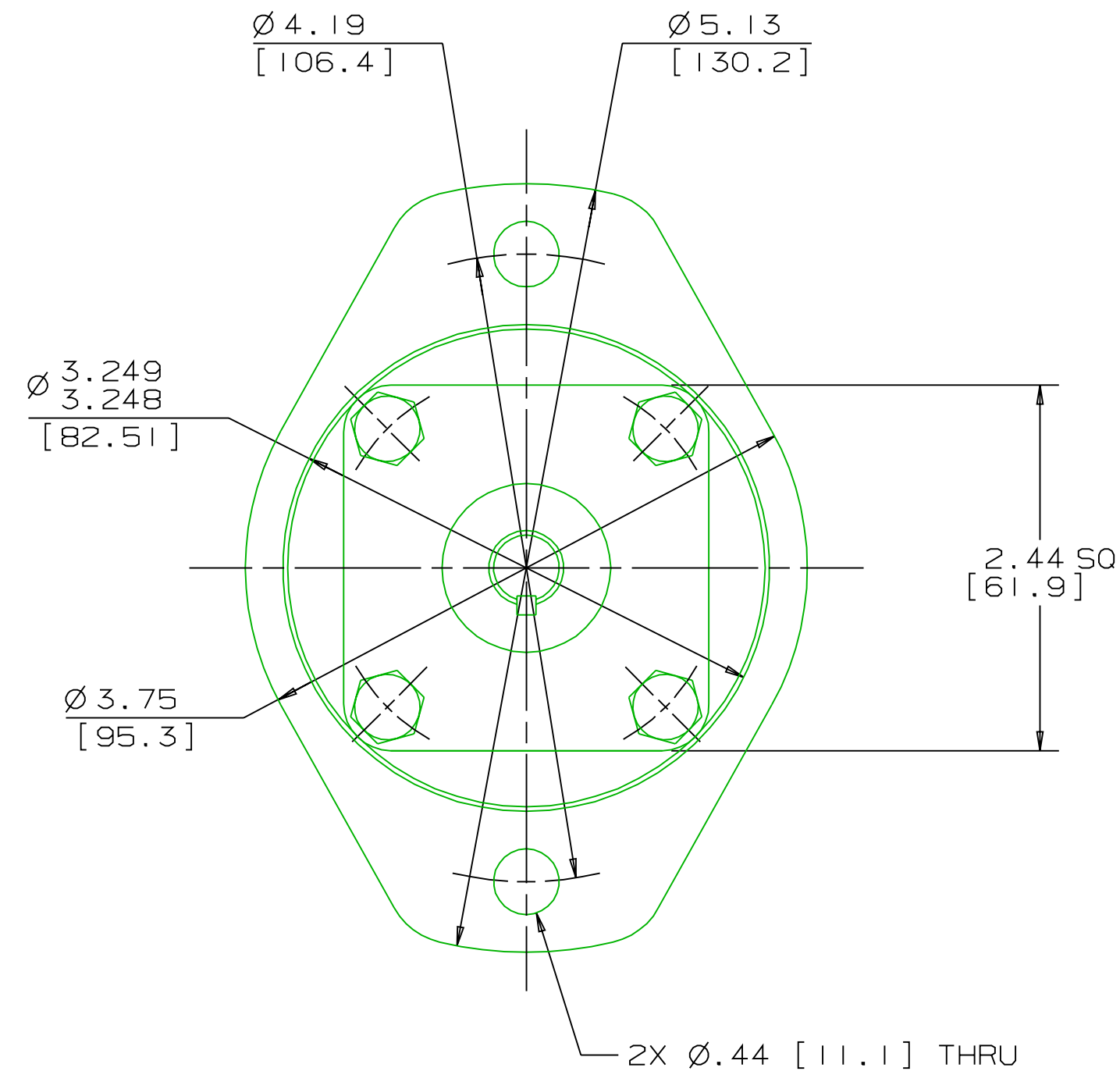
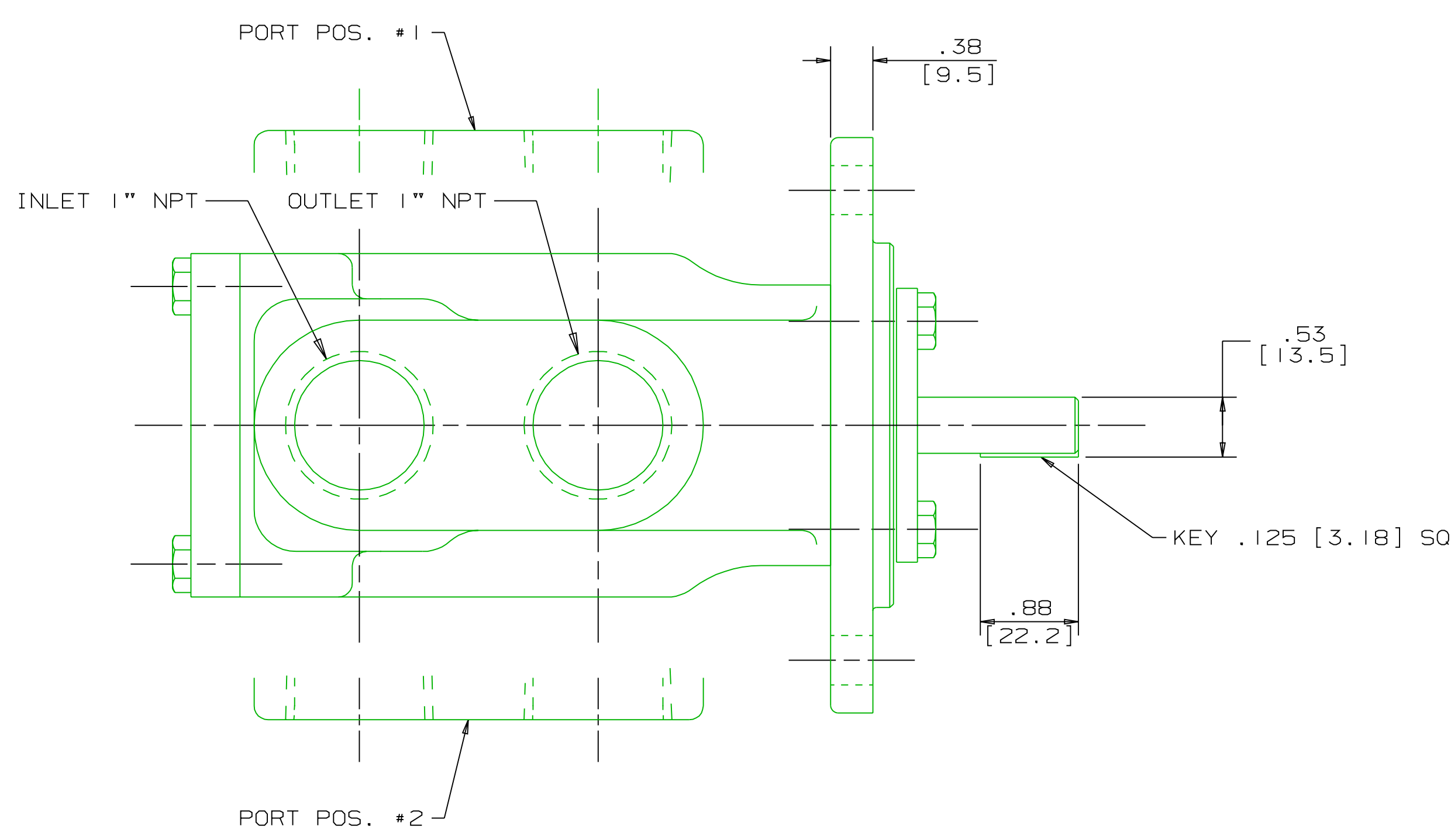


REVISION HISTORY						
CHG NO	ZONE	REV	DESCRIPTION	DATE	BY	APPROVED
99-00000	ALL	1	REVISED FOR APPV'D ANSI FORMAT	07-01-99	JTT	ERH
00-00292	ALL	2	ADD CERT BLOCK, NOTE #2, EMAIL ADDRESS	5-12-00	WLW	WLW
			ADD WEEP HOLE NOTE, REV. DIMS.			



DRAWING CERTIFICATION	
CUSTOMER NAME	-----
CUSTOMER PO NUMBER	---
CUSTOMER PART NUMBER	-
BOM NUMBER	-----
PUMP TYPE	-----
SHAFT ROTATION	-----
PORT POSITION	-----
OTHER INFORMATION	
CERTIFIED BY	-----
CERTIFIED DATE	-----
IMO ORDER NUMBER	-----
DATA REVISION NUMBER	-

- NOTES:
- UNLESS OTHERWISE SPECIFIED, ALL DIMENSIONS ARE IN INCHES. DIMENSIONS IN [] ARE MILLIMETERS.
 - PORT POSITIONS ARE RELATIVE TO THE WEEP HOLE FACING DOWNWARD.

WEB ADDRESS: WWW.IMO-PUMP.COM EMAIL: IMO.PUMP@COLFAXCORP.COM

DRAWN	DMM 6-26-97
CHECKED	MJC 6-30-97
APPROVED	MJC 6-30-97
PROCESS	
METHODS	

Imo Pump
 1710 Airport Road
 PO Box 5020
 Monroe, NC USA
 28111.5020

MATERIAL	
COMMENTS:	STANDARD ROTATION IS CLOCKWISE WHEN VIEWED FROM COUPLING END OF PUMP. SUCTION STRAINER AND DISCHARGE RELIEF VALVE MUST BE PROVIDED. UNITS ARE ACCURATELY ALIGNED AT THE FACTORY. ALIGNMENT SHOULD BE CHECKED BEFORE STARTING TO ENSURE THAT IT IS STILL WITHIN .005 [0.13] F.W. PRESTARTING: FLUSH SUCTION PIPING BEFORE CONNECTING PUMP. PRIME AND VENT PUMP. DO NOT START PUMP WITH VALVES CLOSED. READ INSTRUCTION MANUAL FOR DETAILS BEFORE STARTING.
THIRD ANGLE PROJECTION	FIRST ORDER
USED ON	812923

TITLE			
OUTLINE STANDARD _3E_C-87_/95_			
SIZE	CAGE CODE	DWG NO	
D	59180	SDD19077	
SCALE	1/1	WEIGHT	9 LBS [4.1 kg]
SHEET		1 OF 1	