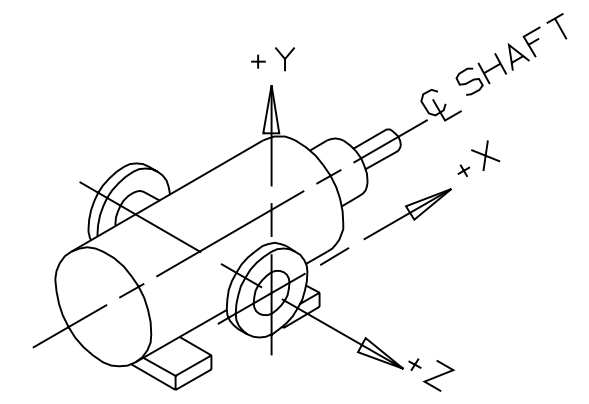
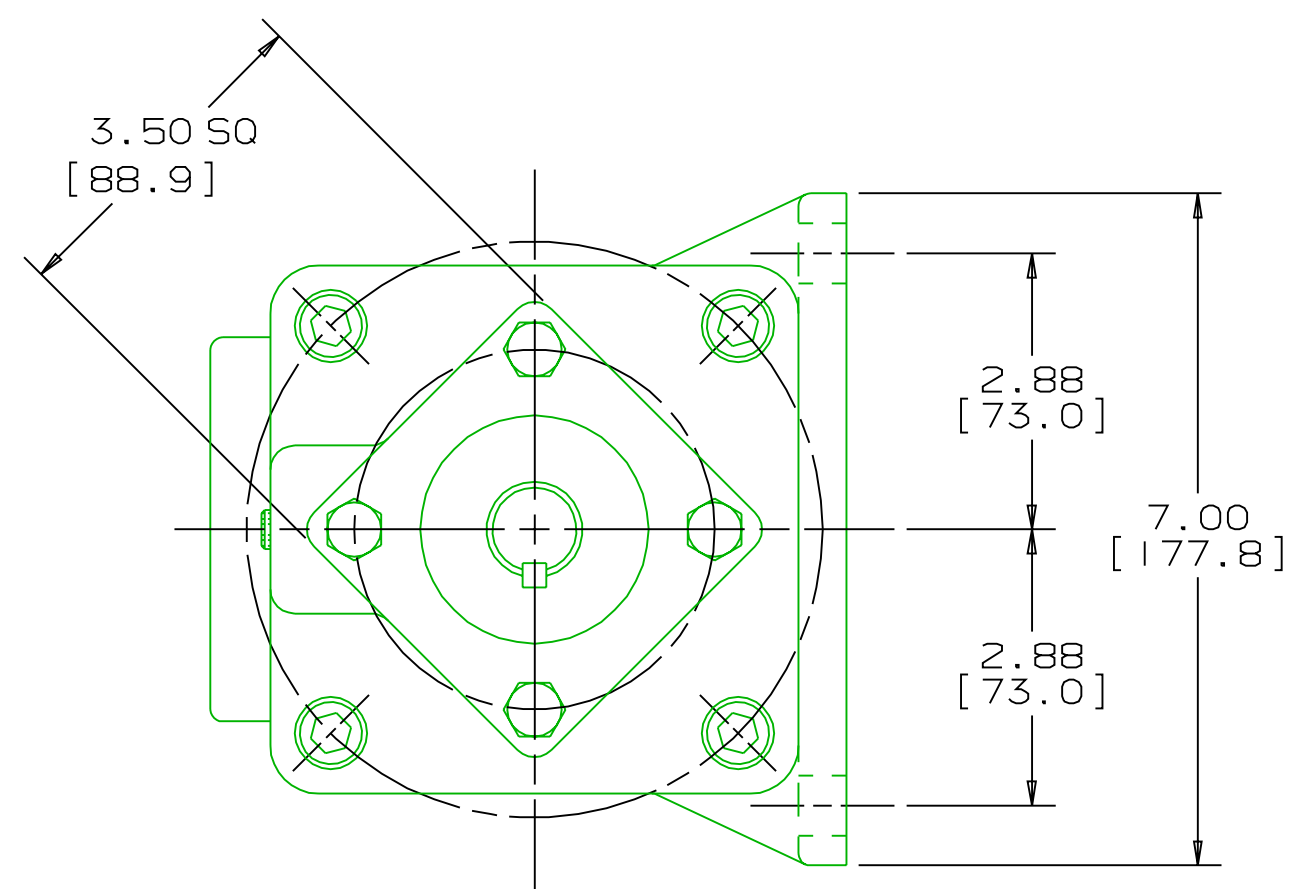
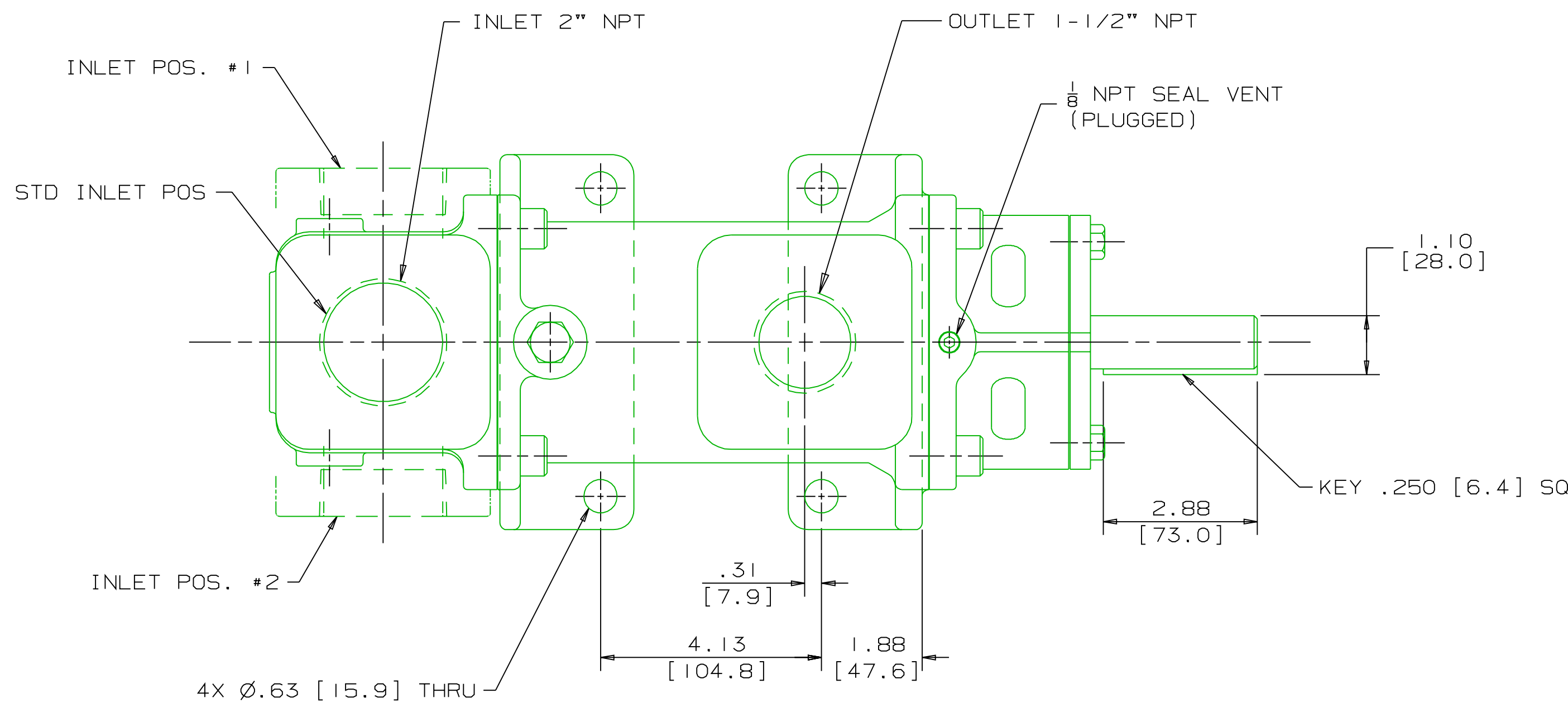


REVISION HISTORY						
CHG NO	ZONE	REV	DESCRIPTION	DATE	BY	APPROVED
00-0579	ALL	1	UPDATED TO CURRENT STANDARDS	9-29-00	DMM	DMM



COORDINATE SYSTEM FOR MAXIMUM PUMP FORCES (F) AND MOMENTS (M)

INLET:
 FX=150 LBF [667 N] MX=250 LB FT [339 N·m]
 FY=150 LBF [667 N] MY=250 LB FT [339 N·m]
 FZ=150 LBF [667 N] MZ=250 LB FT [339 N·m]

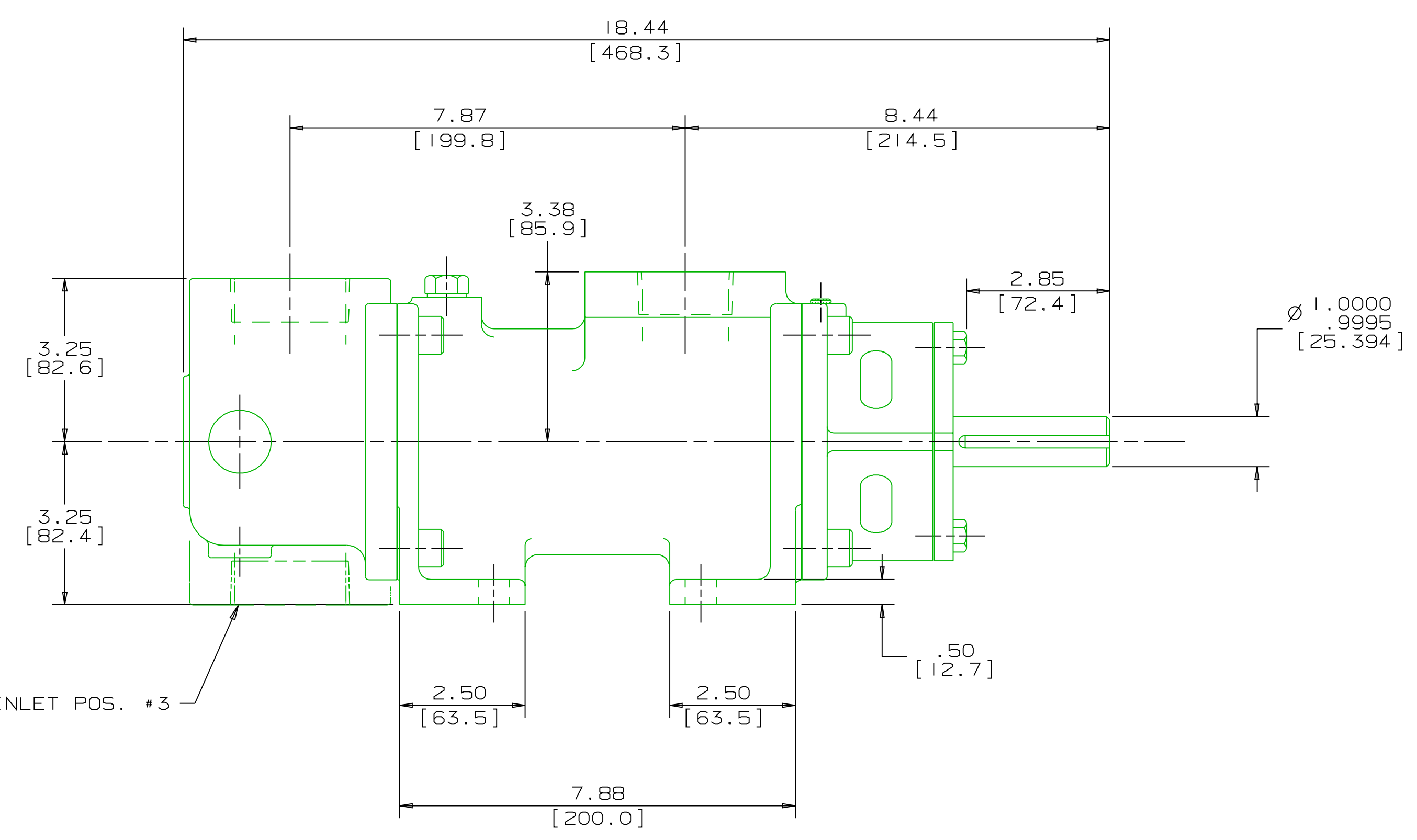
OUTLET:
 FX=113 LBF [500 N] MX=188 LB FT [254 N·m]
 FY=113 LBF [500 N] MY=188 LB FT [254 N·m]
 FZ=113 LBF [500 N] MZ=188 LB FT [254 N·m]

FORCE AND MOMENT VALUES ARE RELATIVE TO CENTER OF INLET AND OUTLET PORT FACES.



- NOTES:
- UNLESS OTHERWISE SPECIFIED, ALL DIMENSIONS ARE IN INCHES. DIMENSIONS IN [] ARE MILLIMETERS.
 - TO MAXIMIZE SEAL LIFE, SEAL VENT MUST BE ORIENTED UPWARD (12 O'CLOCK) WHEN PUMP IS INSTALLED HORIZONTALLY. THIS IS NORMAL VENT ORIENTATION WHEN PUMP FEET ARE ORIENTED DOWNWARD. SEAL VENT ORIENTATION IS NOT CRITICAL WHEN PUMP IS INSTALLED WITH SHAFT VERTICALLY UPWARD.
 - PORT, FOOT, AND SEAL VENT ORIENTATIONS ARE SUPPLIED AS SHOWN ON DRAWING UNLESS OTHERWISE SPECIFIED.
 - ALTERNATE INLET PORT POSITIONS ARE PROVIDED IF SPECIFIED ON ORDER. AVAILABLE POSITIONS ARE: STANDARD, POSITION #1, POSITION #2 OR POSITION #3. ALL INLET PORT POSITIONS ARE RELATIVE TO OUTLET PORT.
 - ESTIMATED WEIGHT 66 LBS [29.9 kg].

DRAWING CERTIFICATION	
CUSTOMER NAME	-----
CUSTOMER PO NUMBER	-----
CUSTOMER PART NUMBER	-----
BOM NUMBER	-----
PUMP TYPE	-----
SHAFT ROTATION	-----
INLET PORT POSITION	-----
OTHER INFORMATION	
CERTIFIED BY	-----
CERTIFIED DATE	-----
IMO ORDER NUMBER	-----
DATA REVISION NUMBER	-----



WEB ADDRESS: WWW.IMO-PUMP.COM EMAIL: IMO.PUMP@COLFAXCORP.COM

DRAWN: WLV 11-4-97
 CHECKED: MJC 12-23-97
 APPD: MJC 12-23-97

Imo Pump
 1710 Airport Road
 PO Box 5020
 Monroe, NC USA
 28111.5020

TITLE: OUTLINE STANDARD __3D__-156__

MATERIAL	PROCESS	METHODS	THIRD ANGLE PROJECTION	FIRST ORDER	SIZE	CAGE CODE	DWG NO
					D	59180	SDD19075

USED ON: 3204/112 SCALE: 1/2 WEIGHT: SEE NOTE 5 SHEET: 1 OF 1