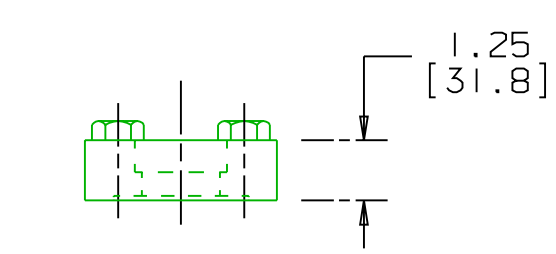
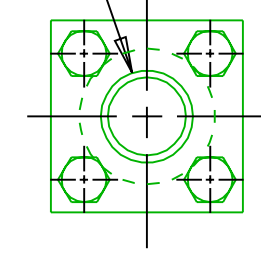


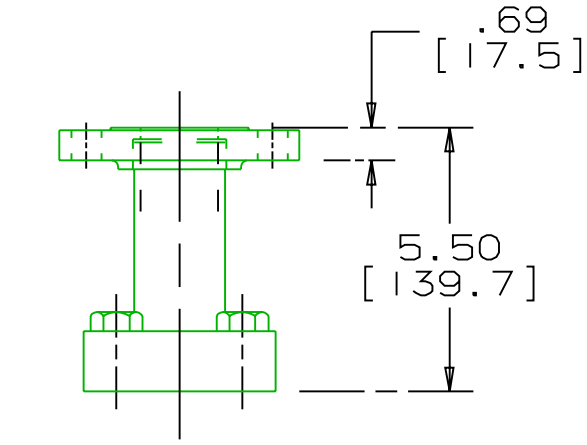
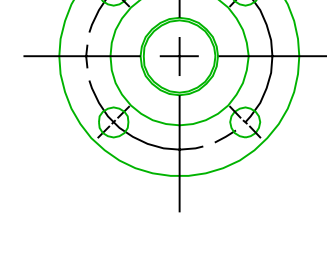
REVISION HISTORY					
CHG NO	ZONE	REV	DESCRIPTION	DATE	BY / APPROVED
00-0579	ALL	1	UPDATED TO CURRENT STANDARDS	10-25-00	DMM / DMM

OUTLET 1-1/2" SIZE SOCKET WELDING ADAPTER Ø1.920 [48.77] SOCKET .66 [16.8] DEEP



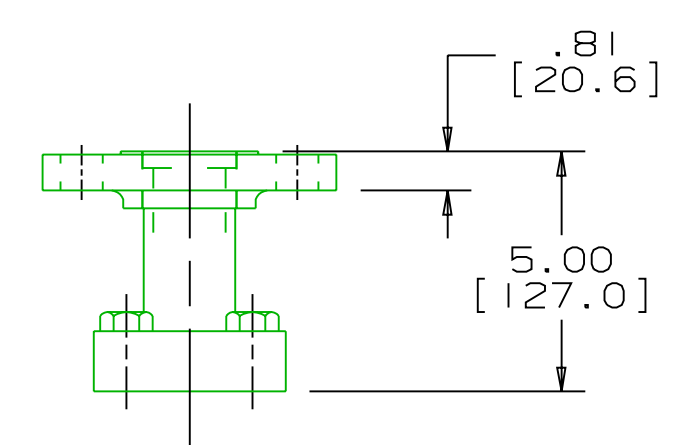
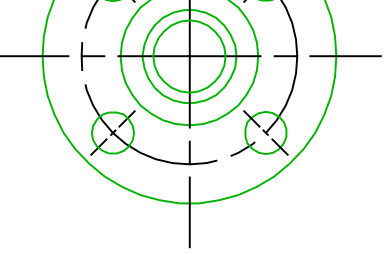
SOCKET WELDING OUTLET OPTION

OUTLET 1-1/2" SIZE 150# ANSI B16.5 RAISED FACE FLANGE HOLES TO STRADDLE CENTERLINES



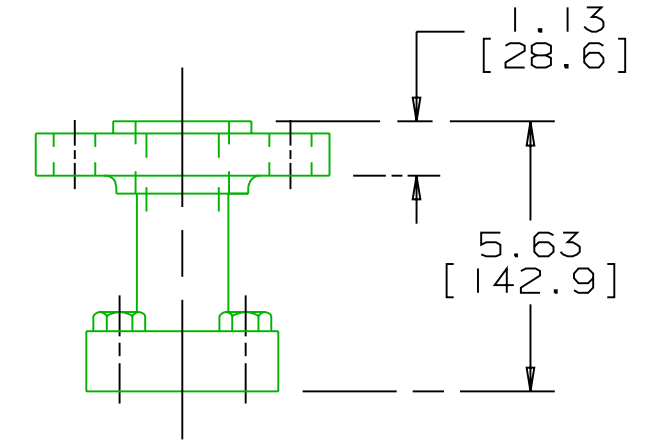
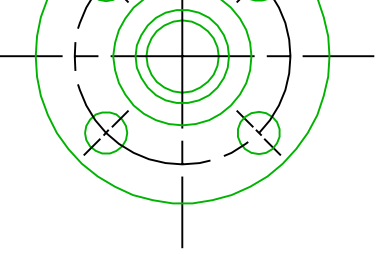
150# RF OUTLET OPTION

OUTLET 1-1/2" SIZE 300# ANSI B16.5 RAISED FACE FLANGE HOLES TO STRADDLE CENTERLINES

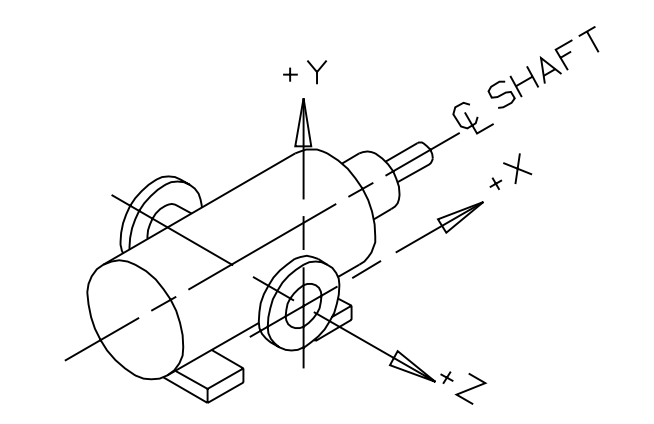


300# RF OUTLET OPTION

OUTLET 1-1/2" SIZE 600# ANSI B16.5 RAISED FACE FLANGE HOLES TO STRADDLE CENTERLINES



600# RF OUTLET OPTION



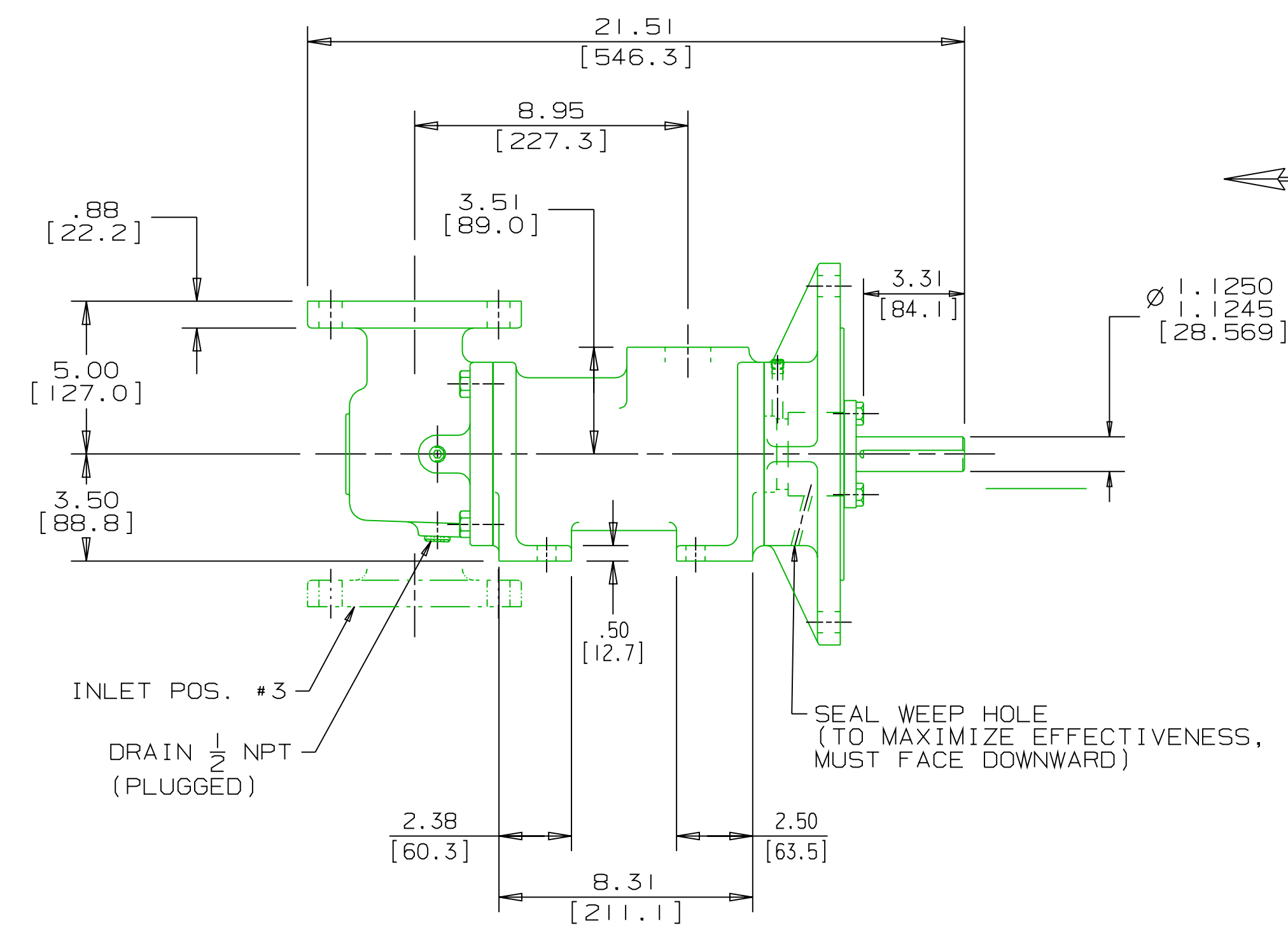
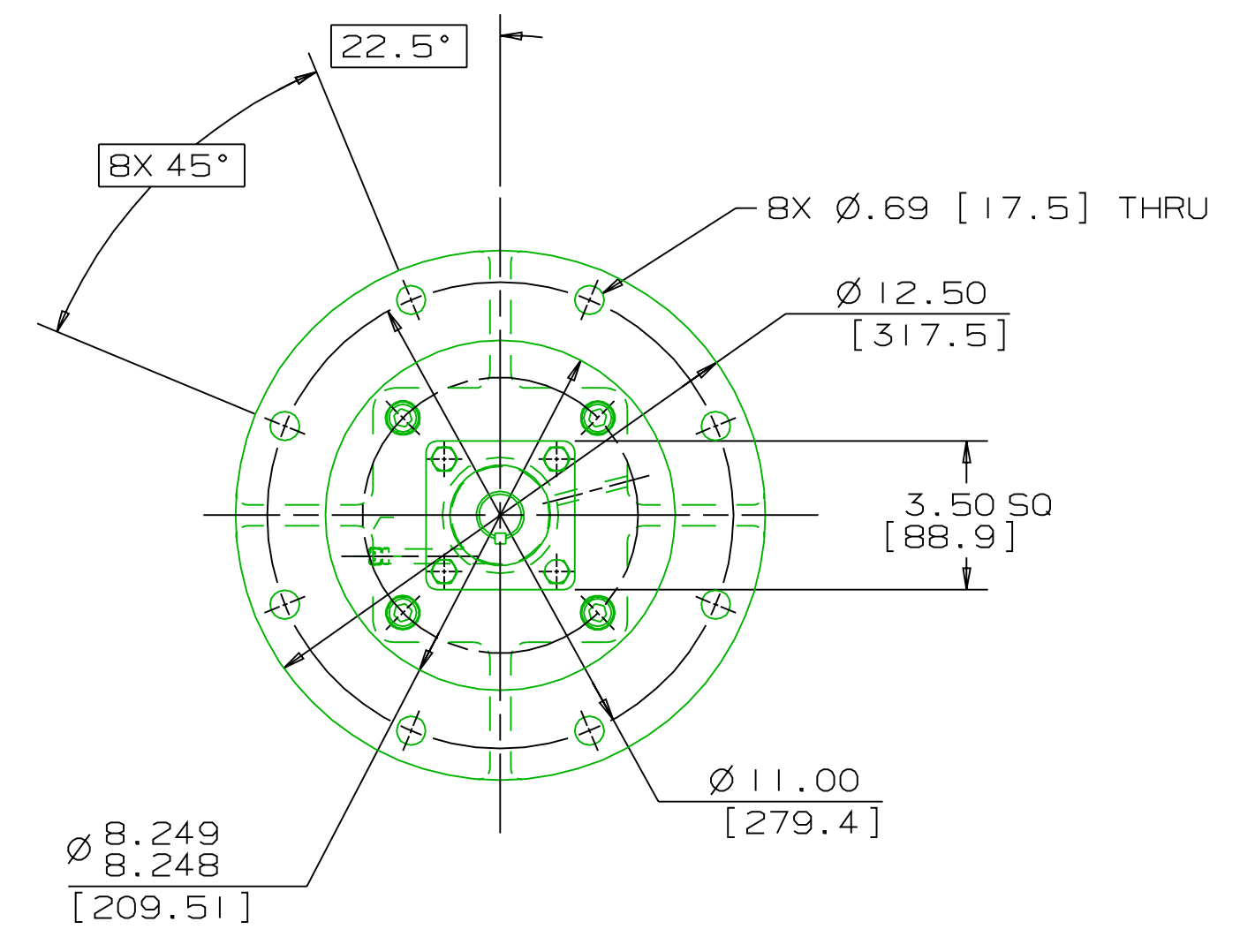
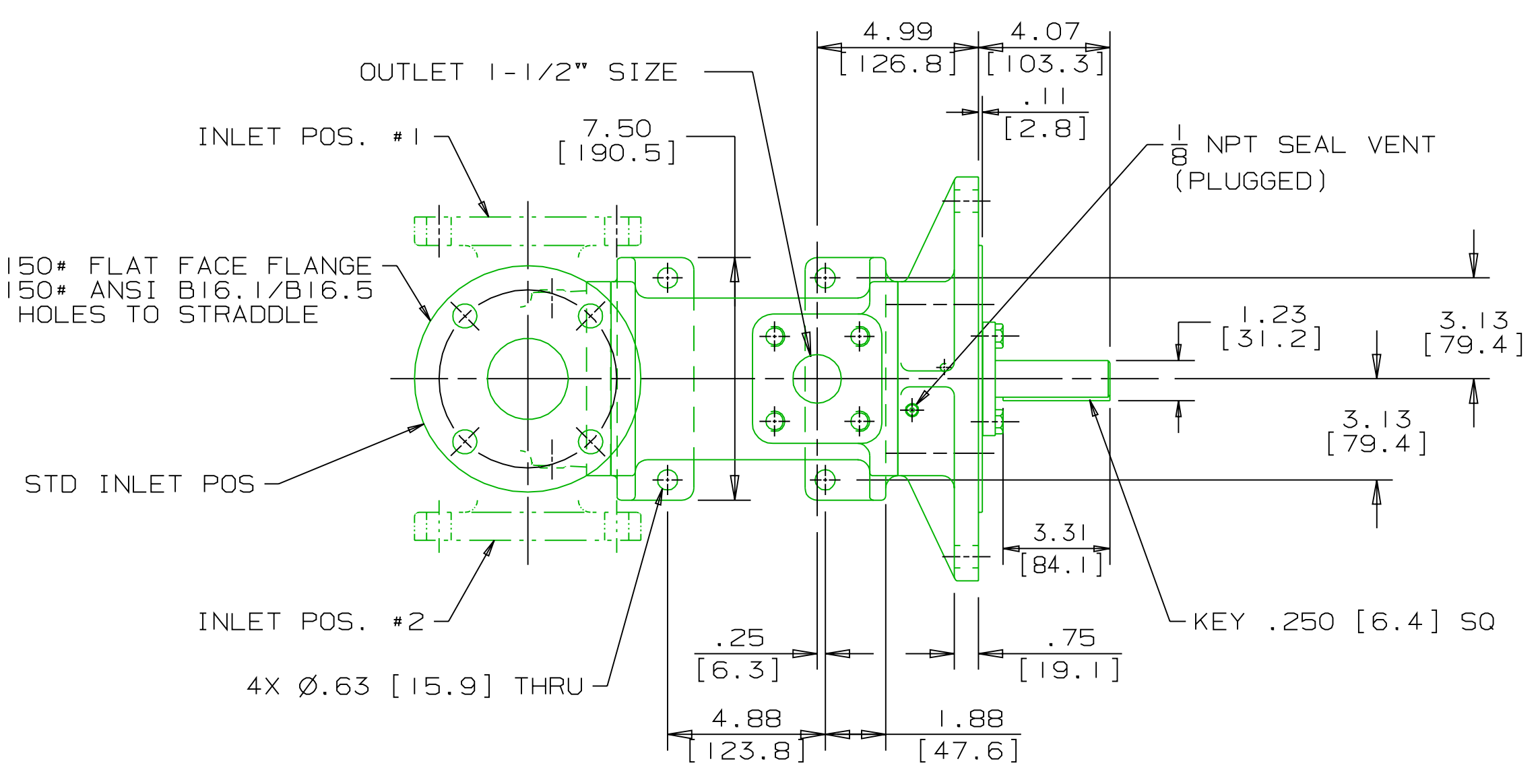
COORDINATE SYSTEM FOR MAXIMUM PUMP FORCES (F) AND MOMENTS (M)

INLET:  
 FX=188 LBF [836 N]    MX= 313 LB FT [424 N·m]  
 FY=188 LBF [836 N]    MY= 313 LB FT [424 N·m]  
 FZ=188 LBF [836 N]    MZ= 313 LB FT [424 N·m]

OUTLET:  
 FX=113 LBF [500 N]    MX= 188 LB FT [254 N·m]  
 FY=113 LBF [500 N]    MY= 188 LB FT [254 N·m]  
 FZ=113 LBF [500 N]    MZ= 188 LB FT [254 N·m]

FORCE AND MOMENT VALUES ARE RELATIVE TO CENTER OF INLET AND OUTLET PORT FACES.

INLET 2-1/2" SIZE 150# FLAT FACE FLANGE WILL MATE TO 125#/150# ANSI B16.1/B16.5 RAISED FACE FLANGE HOLES TO STRADDLE CENTERLINES

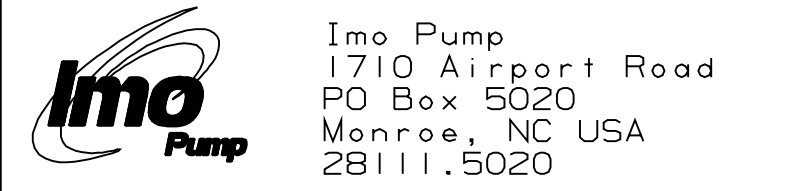


- NOTES:
- UNLESS OTHERWISE SPECIFIED, ALL DIMENSIONS ARE IN INCHES. DIMENSIONS IN [ ] ARE MILLIMETERS.
  - TO MAXIMIZE SEAL LIFE, SEAL VENT MUST BE ORIENTED UPWARD (12 O'CLOCK) WHEN PUMP IS INSTALLED HORIZONTALLY. THIS IS NORMAL VENT ORIENTATION WHEN PUMP FEET ARE ORIENTED DOWNWARD. SEAL VENT ORIENTATION IS NOT CRITICAL WHEN PUMP IS INSTALLED WITH SHAFT VERTICALLY UPWARD.
  - PORT, FOOT, AND SEAL VENT ORIENTATIONS ARE SUPPLIED AS SHOWN ON DRAWING UNLESS OTHERWISE SPECIFIED.
  - ALTERNATE INLET PORT POSITIONS ARE PROVIDED IF SPECIFIED ON ORDER. AVAILABLE POSITIONS ARE: STANDARD, POSITION #1, POSITION #2 OR POSITION #3. ALL INLET PORT POSITIONS ARE RELATIVE TO OUTLET PORT.
  - ESTIMATED WEIGHT (WITHOUT PORT ADAPTERS) 130 LBS [59.0 kg].

DRAWING CERTIFICATION	
CUSTOMER NAME	-----
CUSTOMER PO NUMBER	-----
CUSTOMER PART NUMBER	-----
BOM NUMBER	-----
PUMP TYPE	-----
SHAFT ROTATION	-----
INLET PORT POSITION	-----
OUTLET PORT ADAPTER OPTION	-----
OTHER INFORMATION	
CERTIFIED BY	-----
CERTIFIED DATE	-----
IMO ORDER NUMBER	-----
DATA REVISION NUMBER	-----

WEB ADDRESS: WWW. IMO-PUMP.COM    EMAIL: IMO.PUMP@COLFAXCORP.COM

DRAWN: WLW 6-11-97  
 CHECKED: MJC 6-12-97  
 APPD: MJC 6-12-97



TITLE: OUTLINE STANDARD \_\_3D\_CS\_-187\_

COMMENTS:  
 STANDARD ROTATION IS CLOCKWISE WHEN VIEWED FROM COUPLING END OF PUMP. SUCTION STRAINER AND DISCHARGE RELIEF VALVE MUST BE PROVIDED.  
 ALIGNMENT: UNITS ARE ACCURATELY ALIGNED AT THE FACTORY. ALIGNMENT SHOULD BE CHECKED BEFORE STARTING TO ENSURE THAT IT IS STILL WITHIN .005 [0.13] F.W.  
 PRESTARTING: FLUSH SUCTION PIPING BEFORE CONNECTING PUMP. PRIME AND VENT PUMP. DO NOT START PUMP WITH VALVES CLOSED. READ INSTRUCTION MANUAL FOR DETAILS BEFORE STARTING.

THIRD ANGLE PROJECTION	FIRST ORDER	SIZE	CAGE CODE	DWG NO
	812596	D	59180	SDD19056
USED ON	SCALE	WEIGHT	SEE NOTE 5	SHEET 1 OF 1
3210/153	1/4			