

REVISION HISTORY					
CHG NO	ZONE	REV	DESCRIPTION	DATE	BY / APPROVED
01-0287	ALL	4	ALL ADAPTERS UPDATED TO REFLECT 9/99 ANCHOR CATALOG	6-11-01	DMM / DMM

INLET 1-1/2" SIZE SOCKET WELDING ADAPTER
 Ø1.922 [48.82] SOCKET
 .75 [19.1] DEEP

OUTLET 1" SIZE SOCKET WELDING ADAPTER
 Ø1.326 [33.68] SOCKET
 .63 [16.0] DEEP

INLET 1-1/2" NPT ADAPTER

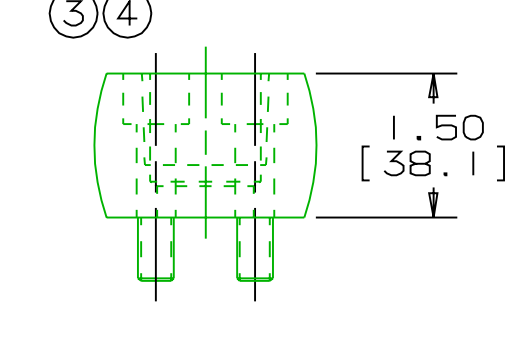
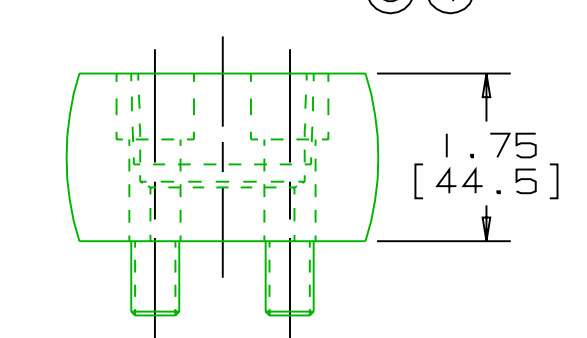
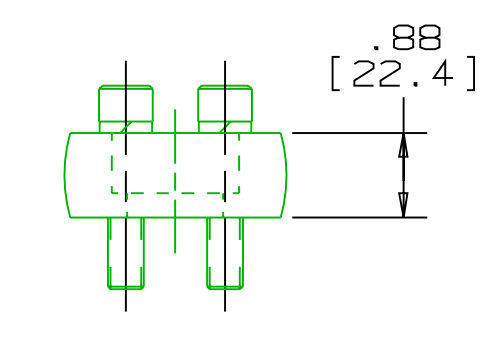
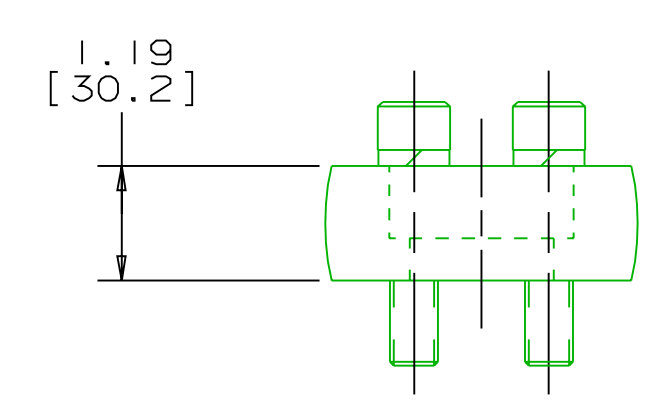
OUTLET 1" NPT ADAPTER

④

④

③④

③④

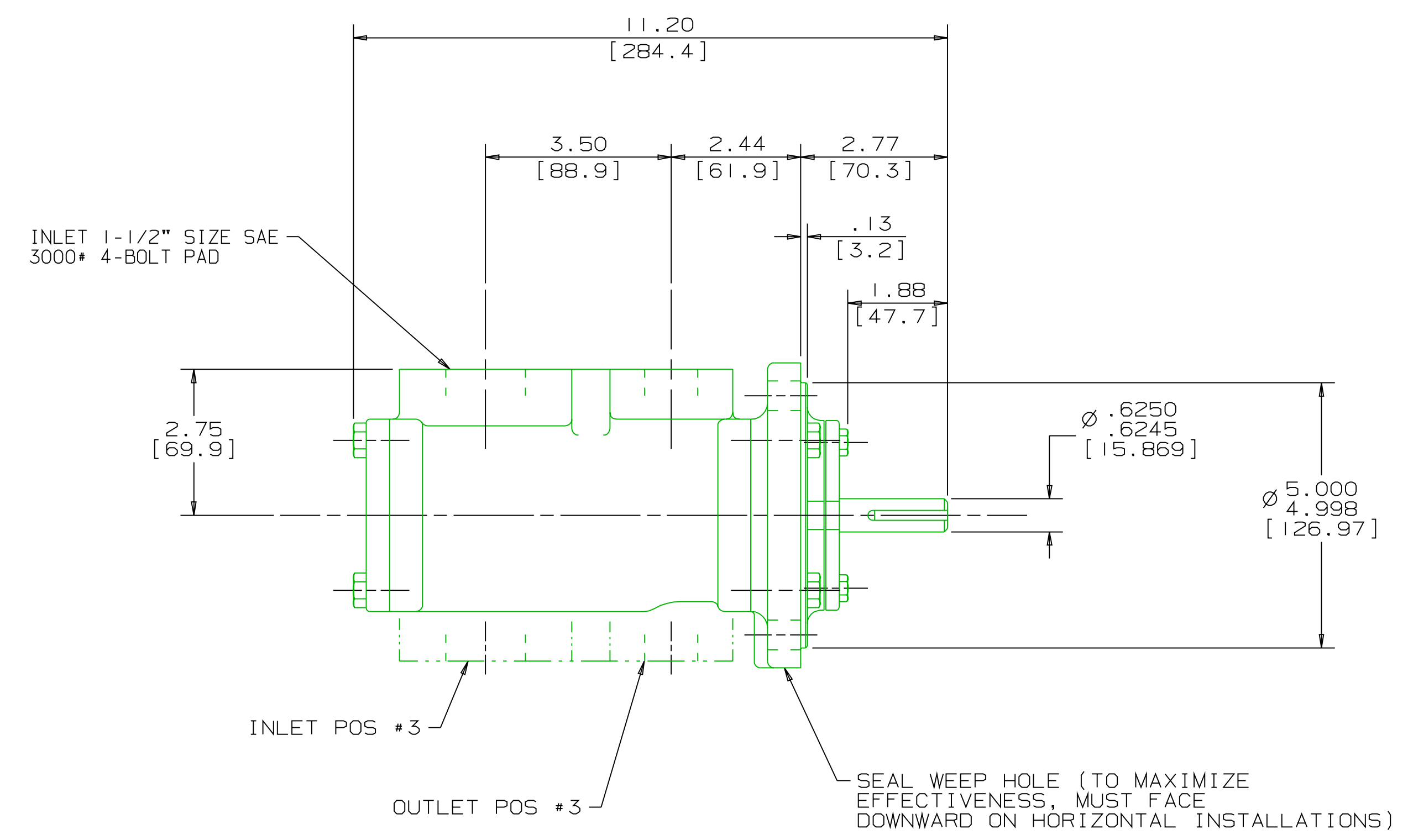
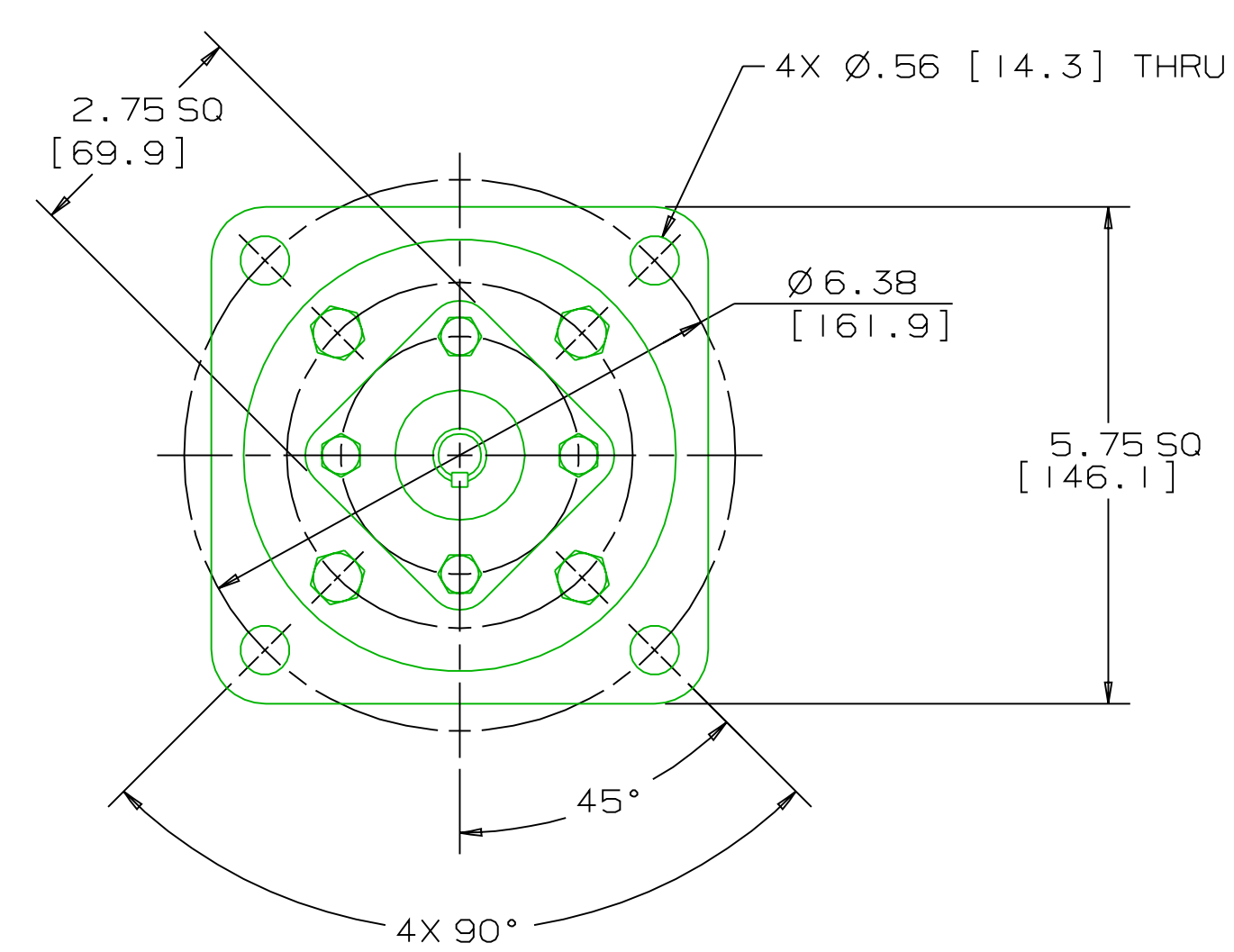
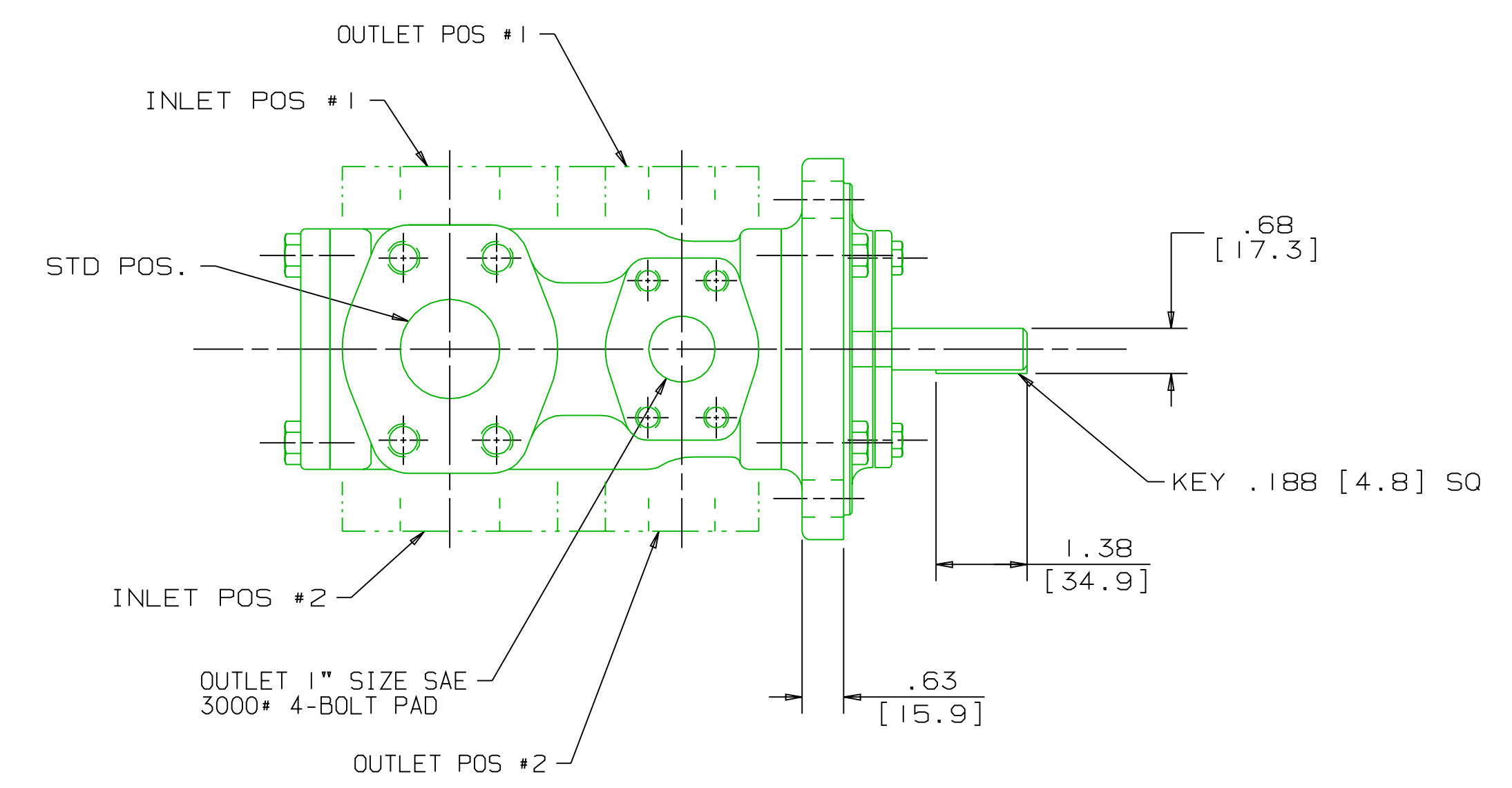


SOCKET WELD INLET OPTION

SOCKET WELD OUTLET OPTION

NPT INLET OPTION

NPT OUTLET OPTION



DRAWING CERTIFICATION	
CUSTOMER NAME	-----
CUSTOMER PO NUMBER	---
CUSTOMER PART NUMBER	-
BOM NUMBER	-----
PUMP TYPE	-----
SHAFT ROTATION	-----
PORT POSITION	-----
INLET PORT OPTION	----
OUTLET PORT OPTION	---
OTHER INFORMATION	
CERTIFIED BY	-----
CERTIFIED DATE	-----
IMO ORDER NUMBER	-----
DATA REVISION NUMBER	-

- NOTES:
 1. UNLESS OTHERWISE SPECIFIED, ALL DIMENSIONS ARE IN INCHES. DIMENSIONS IN [] ARE MILLIMETERS.
 2. PORT POSITIONS ARE RELATIVE TO THE WEEP HOLE FACING DOWNWARD.

WEB ADDRESS: WWW.IMO-PUMP.COM EMAIL: IMO.PUMP@COLFAXCORP.COM

DRAWN WLW 2-11-97
 CHECKED WLW 2-12-97
 APPD MJC 2-12-97

Imo Pump
 1710 Airport Road
 PO Box 5020
 Monroe, NC USA
 28111.5020

TITLE
 OUTLINE STANDARD _3E_CS_-118_

MATERIAL	PROCESS	THIRD ANGLE PROJECTION	FIRST ORDER	SIZE	CAGE CODE	DWG NO	
		3	810040	D	59180	SDD18958	
COMMENTS: STANDARD ROTATION IS CLOCKWISE WHEN VIEWED FROM COUPLING END OF PUMP. SUCTION STRAINER AND DISCHARGE RELIEF VALVE MUST BE PROVIDED. ALIGNMENT: UNITS ARE ACCURATELY ALIGNED AT THE FACTORY. ALIGNMENT SHOULD BE CHECKED BEFORE STARTING TO ENSURE THAT IT IS STILL WITHIN .005 [0.13] F.W. PRESTARTING: FLUSH SUCTION PIPING BEFORE CONNECTING PUMP. PRIME AND VENT PUMP. DO NOT START PUMP WITH VALVES CLOSED. READ INSTRUCTION MANUAL FOR DETAILS BEFORE STARTING.		USED ON	3251 / 350	SCALE	1/2	WEIGHT 27 LBS [12.3 kg]	SHEET 1 OF 1