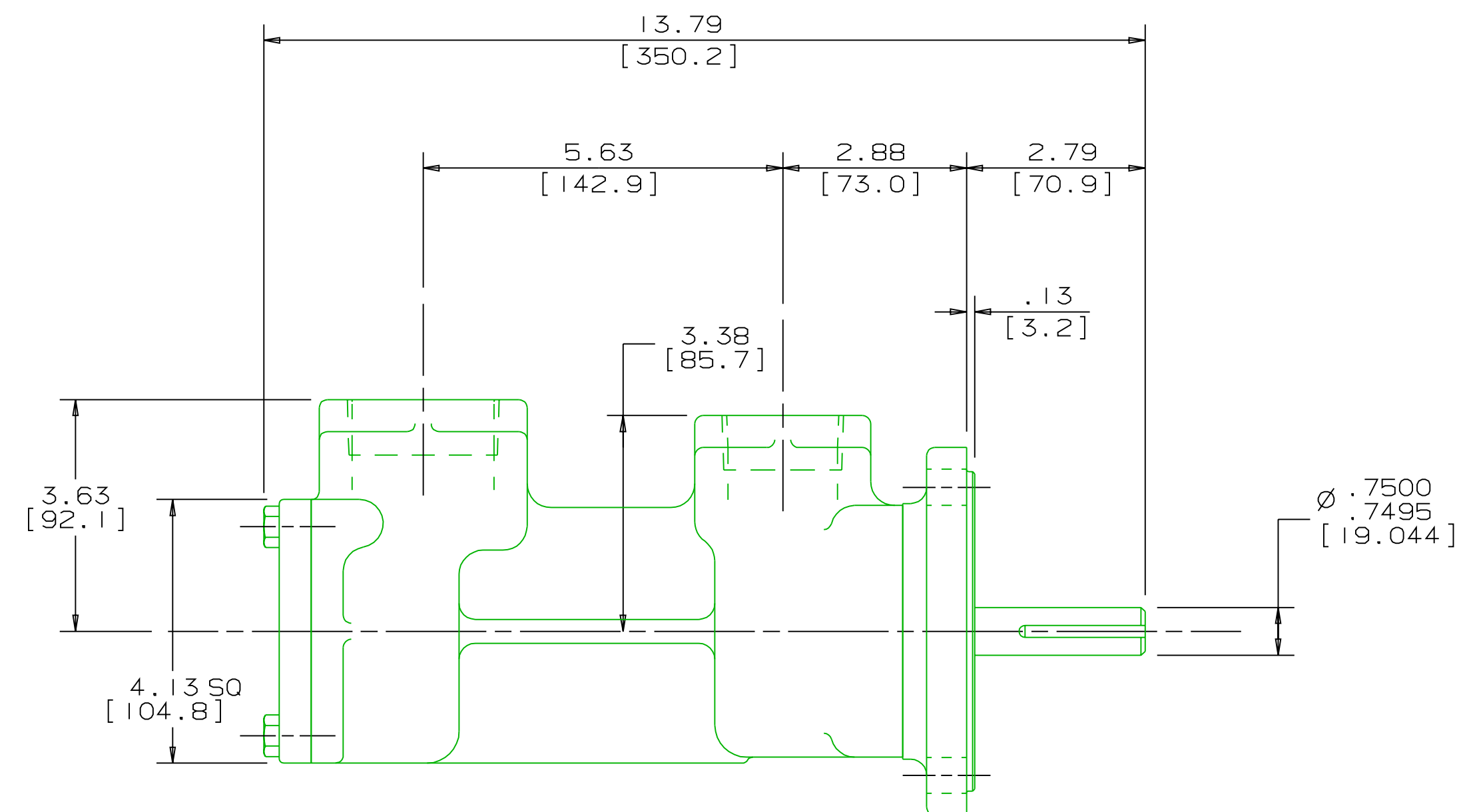
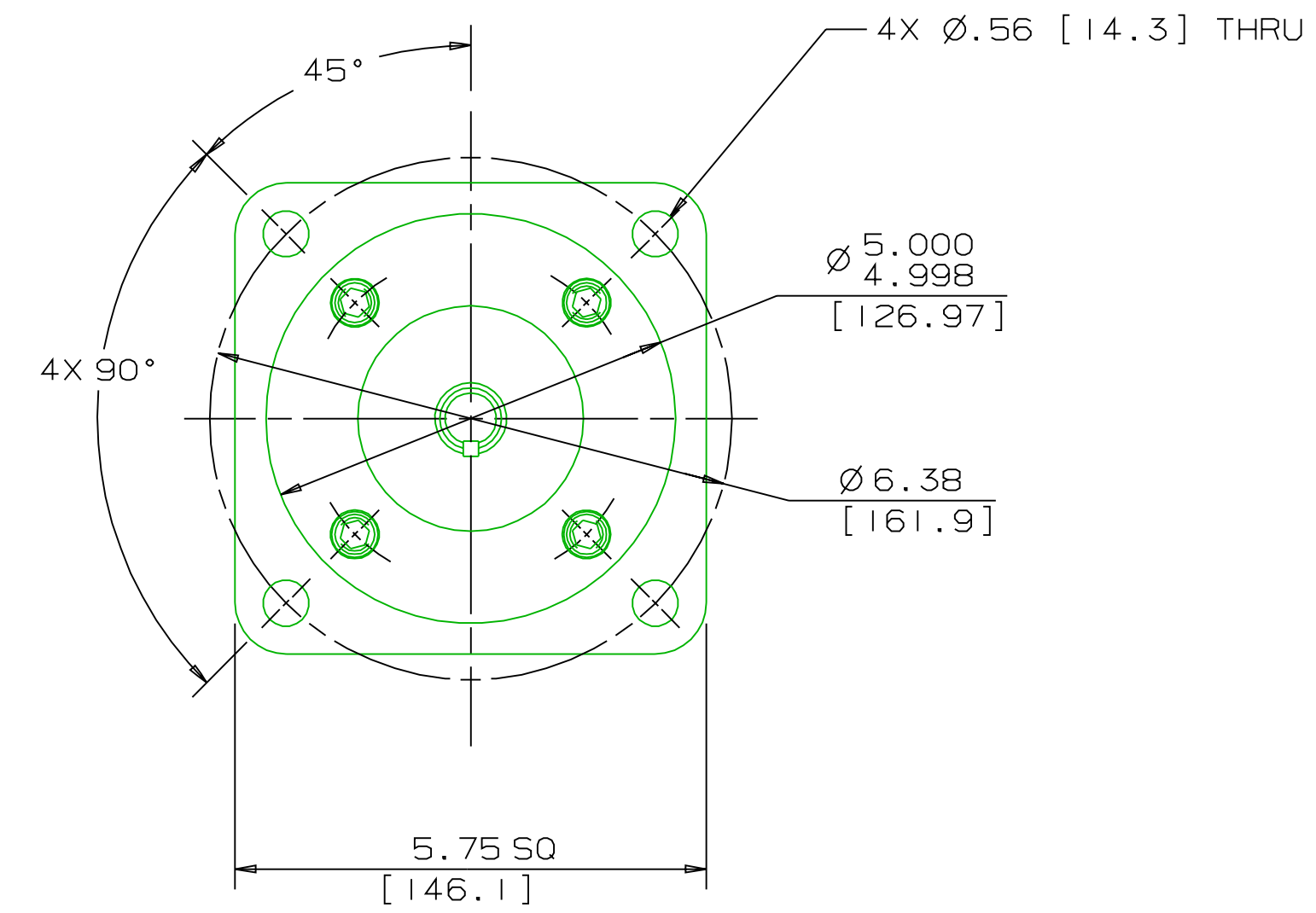
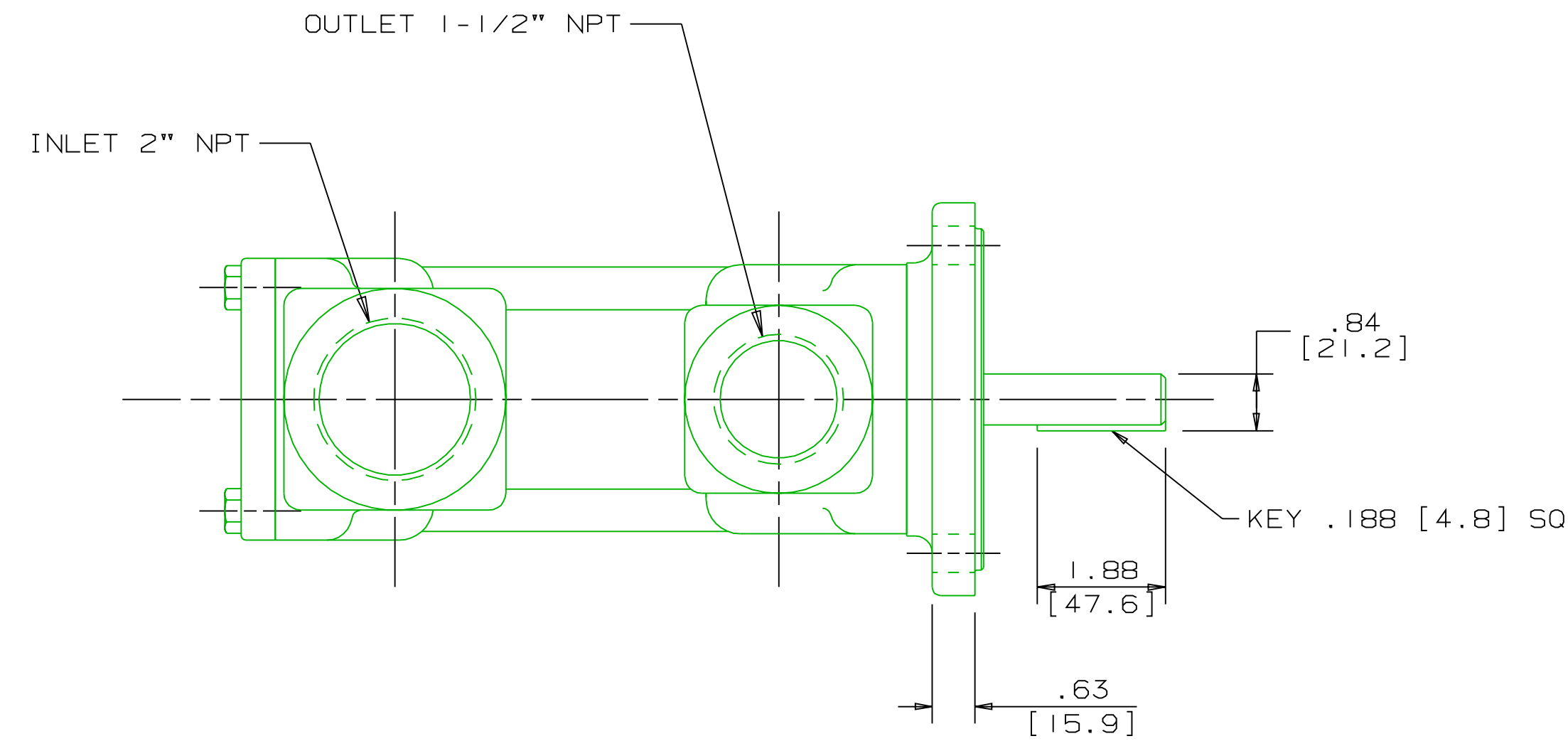


REVISION HISTORY						
CHG NO	ZONE	REV	DESCRIPTION	DATE	BY	APPROVED
99-00000	ALL	1	REVISED TO SHOW NEW ANSI FORMAT	3-8-00	WLW	WLW
00-00292	ALL	2	ADD CERT BLOCK, EMAIL, AND REV. DIMS.	5-12-00	WLW	WLW



← ROTATION →

DRAWING CERTIFICATION	
CUSTOMER NAME -----	
CUSTOMER PO NUMBER ---	
CUSTOMER PART NUMBER -	
BOM NUMBER -----	
PUMP TYPE -----	
SHAFT ROTATION -----	
OTHER INFORMATION	
CERTIFIED BY -----	
CERTIFIED DATE -----	
IMO ORDER NUMBER -----	
DATA REVISION NUMBER -	

NOTES:
1. UNLESS OTHERWISE SPECIFIED,
ALL DIMENSIONS ARE IN INCHES.
DIMENSIONS IN [] ARE MILLIMETERS.

WEB ADDRESS: WWW.IMO-PUMP.COM EMAIL: IMO.PUMP@COLFAXCORP.COM

DRAWN JTT 9-23-96
CHECKED MJC 9-25-96
APPROV MJC 9-25-96



Imo Pump
1710 Airport Road
PO Box 5020
Monroe, NC USA
28111.5020

MATERIAL	PROCESS	METHODS	THIRD ANGLE PROJECTION	FIRST ORDER	SIZE	CAGE CODE	DWG NO	
			3	806906	D	59180	SDD 18778	
COMMENTS: STANDARD ROTATION IS CLOCKWISE WHEN VIEWED FROM COUPLING END OF PUMP. SUCTION STRAINER AND DISCHARGE RELIEF VALVE MUST BE PROVIDED. ALIGNMENT: UNITS ARE ACCURATELY ALIGNED AT THE FACTORY. ALIGNMENT SHOULD BE CHECKED BEFORE STARTING TO ENSURE THAT IT IS STILL WITHIN -.005 [0.13] FTW. PRESTARTING: FLUSH SUCTION PIPING BEFORE CONNECTING PUMP. PRIME AND VENT PUMP. DO NOT START PUMP WITH VALVES CLOSED. READ INSTRUCTION MANUAL FOR DETAILS BEFORE STARTING.			USED ON 3 2 4 2 / 2 2 0		SCALE	1/2	WEIGHT 38 LBS [17.2 kg]	SHEET 1 OF 1

TITLE
OUTLINE STANDARD _3E1C-143_/162_