

INLET 2" SIZE SOCKET WELDING ADAPTER  
 Ø2.411 [61.24] SOCKET  
 .66 [16.8] DEEP

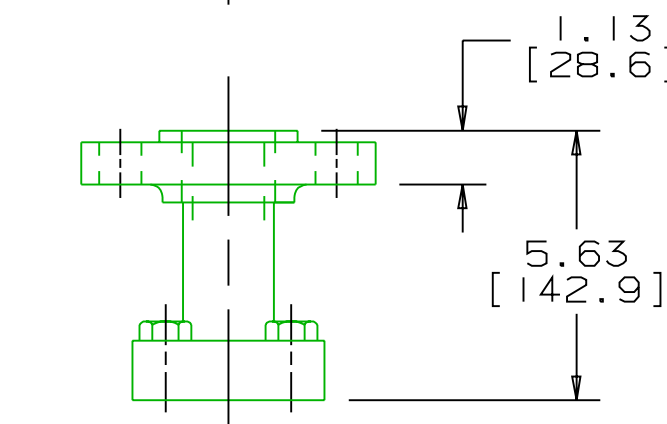
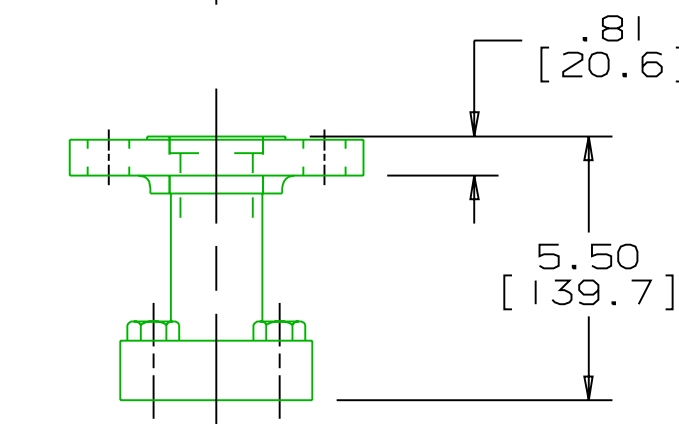
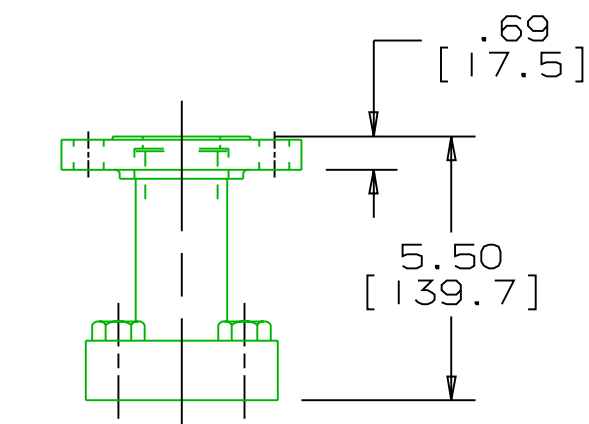
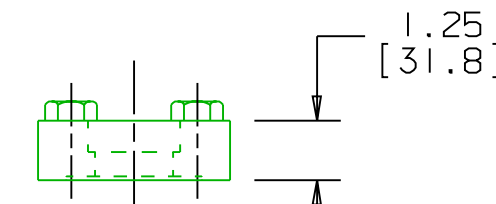
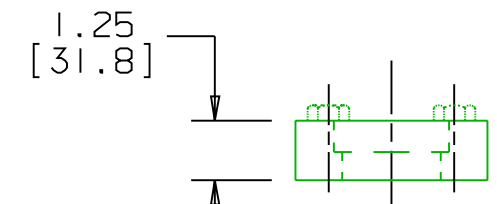
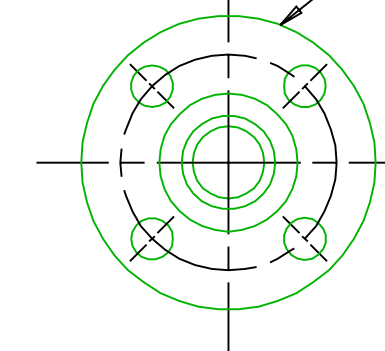
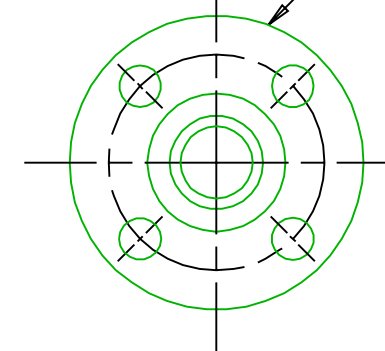
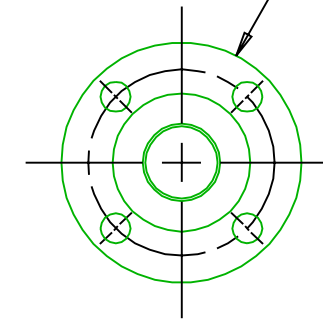
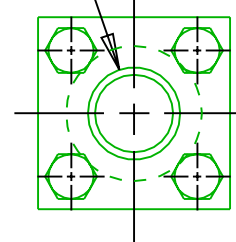
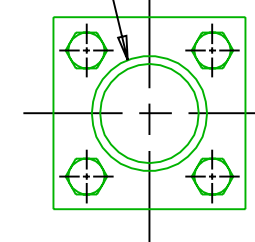
OUTLET 1-1/2" SIZE SOCKET WELDING ADAPTER  
 Ø1.920 [48.77] SOCKET  
 .66 [16.8] DEEP

OUTLET 1-1/2" SIZE 150# ANSI B16.5 RAISED FACE FLANGE HOLES TO STRADDLE CENTERLINES

OUTLET 1-1/2" SIZE 300# ANSI B16.5 RAISED FACE FLANGE HOLES TO STRADDLE CENTERLINES

OUTLET 1-1/2" SIZE 600# ANSI B16.5 RAISED FACE FLANGE HOLES TO STRADDLE CENTERLINES

REVISION HISTORY						
CHG NO	ZONE	REV	DESCRIPTION	DATE	BY	APPROVED
96-00043	A-2	1	ADDED GENERIC OUTLINE DATA BLOCK	1-25-96	DMS	MJC
00-0579	ALL	2	UPDATED TO CURRENT STANDARDS & ADDED SPOOL PIECE OPTIONS	10-10-00	DMM	DMM



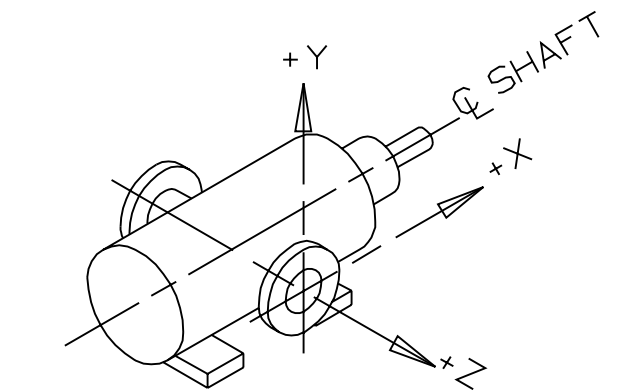
SOCKET WELDING INLET OPTION

SOCKET WELDING OUTLET OPTION

150# RF OUTLET OPTION

300# RF OUTLET OPTION

600# RF OUTLET OPTION

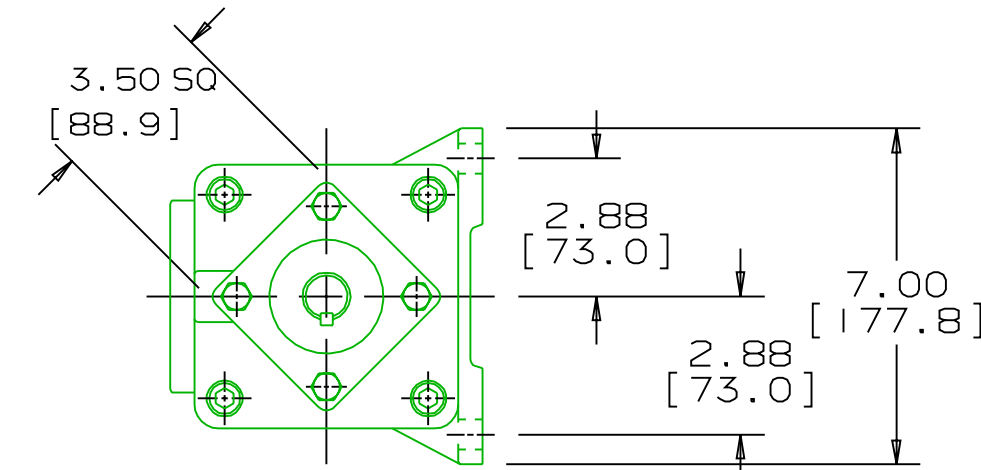
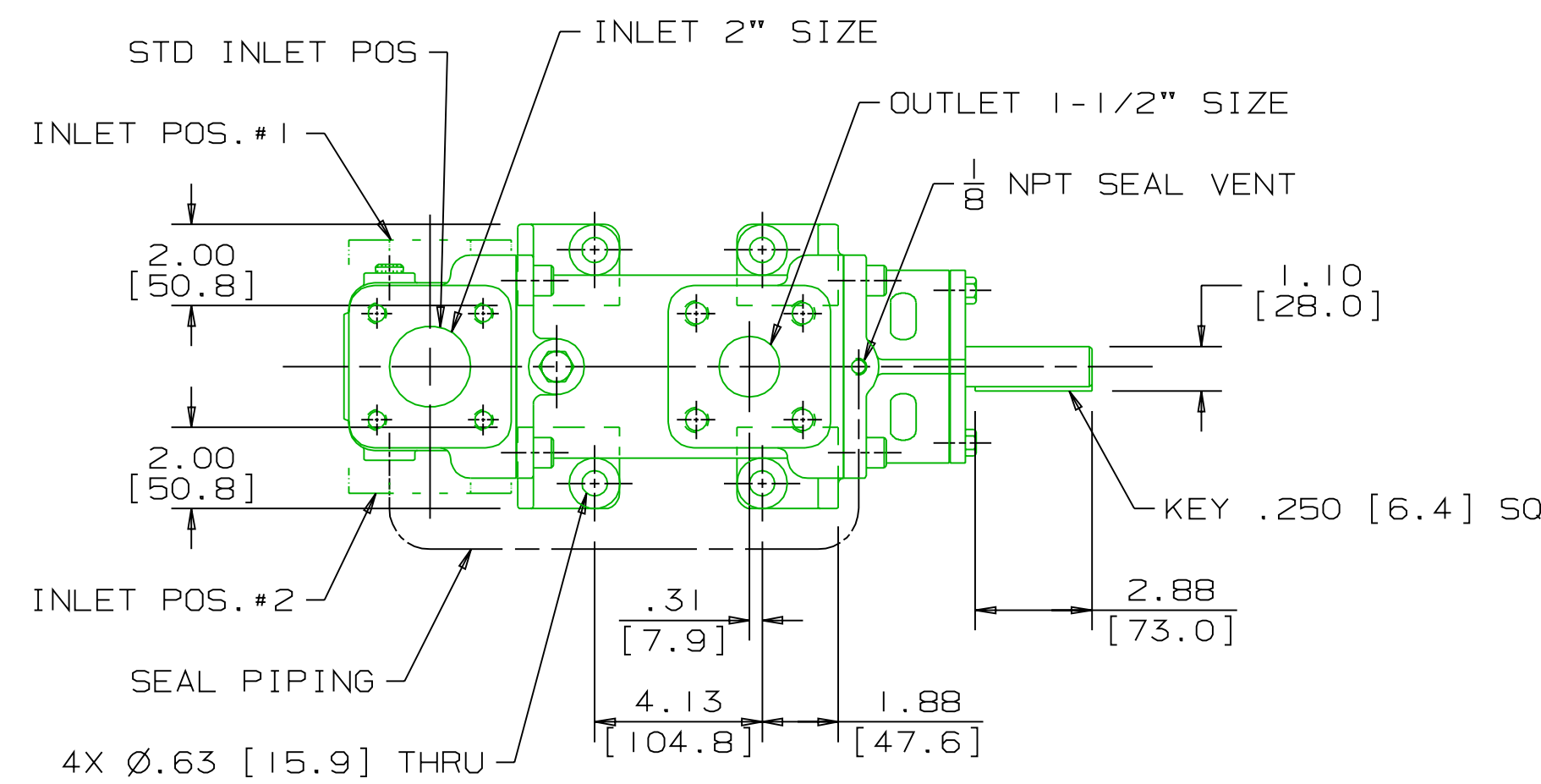


COORDINATE SYSTEM FOR MAXIMUM PUMP FORCES (F) AND MOMENTS (M)

INLET:  
 FX=150 LBF [667 N]    MX=250 LB FT [339 N·m]  
 FY=150 LBF [667 N]    MY=250 LB FT [339 N·m]  
 FZ=150 LBF [667 N]    MZ=250 LB FT [339 N·m]

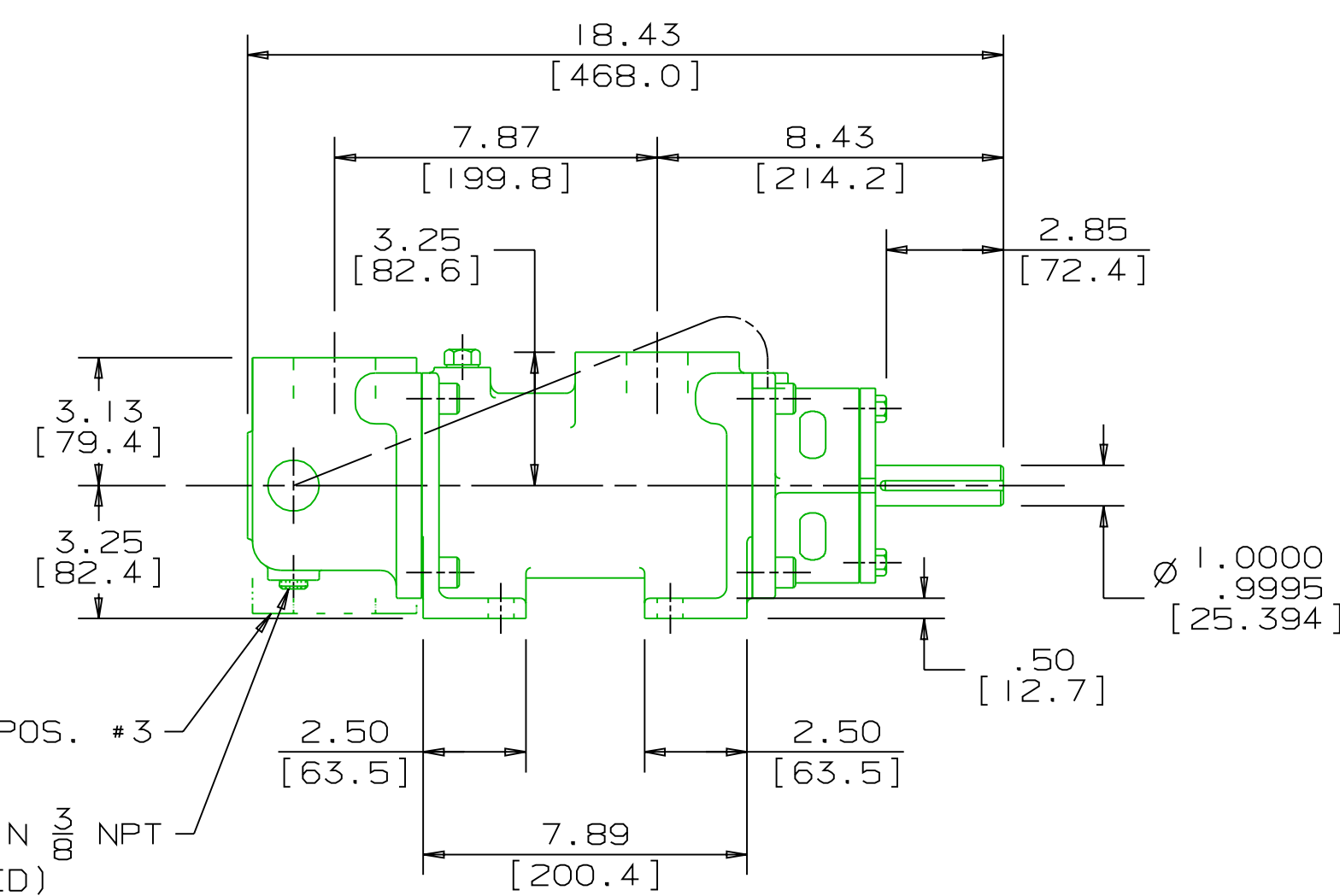
OUTLET:  
 FX=113 LBF [500 N]    MX=188 LB FT [254 N·m]  
 FY=113 LBF [500 N]    MY=188 LB FT [254 N·m]  
 FZ=113 LBF [500 N]    MZ=188 LB FT [254 N·m]

FORCE AND MOMENT VALUES ARE RELATIVE TO CENTER OF INLET AND OUTLET PORT FACES.



NOTES:

- UNLESS OTHERWISE SPECIFIED, ALL DIMENSIONS ARE IN INCHES. DIMENSIONS IN [ ] ARE MILLIMETERS.
- TO MAXIMIZE SEAL LIFE, SEAL VENT MUST BE ORIENTED UPWARD (12 O'CLOCK) WHEN PUMP IS INSTALLED HORIZONTALLY. THIS IS NORMAL VENT ORIENTATION WHEN PUMP FEET ARE ORIENTED DOWNWARD. SEAL VENT ORIENTATION IS NOT CRITICAL WHEN PUMP IS INSTALLED WITH SHAFT VERTICALLY UPWARD.
- PORT, FOOT, AND SEAL VENT ORIENTATIONS ARE SUPPLIED AS SHOWN ON DRAWING UNLESS OTHERWISE SPECIFIED.
- ALTERNATE INLET PORT POSITIONS ARE PROVIDED IF SPECIFIED ON ORDER. AVAILABLE POSITIONS ARE: STANDARD, POSITION #1, POSITION #2 OR POSITION #3. ALL INLET PORT POSITIONS ARE RELATIVE TO OUTLET PORT.
- ESTIMATED WEIGHT (WITHOUT PORT ADAPTERS) 80 LBS [36.3 kg].



DRAWING CERTIFICATION	
CUSTOMER NAME	-----
CUSTOMER PO NUMBER	-----
CUSTOMER PART NUMBER	-----
BOM NUMBER	-----
PUMP TYPE	-----
SHAFT ROTATION	-----
INLET PORT POSITION	-----
INLET PORT ADAPTER OPTION	--
OUTLET PORT ADAPTER OPTION	--
OTHER INFORMATION	
CERTIFIED BY	-----
CERTIFIED DATE	-----
IMO ORDER NUMBER	-----
DATA REVISION NUMBER	-----

WEB ADDRESS: WWW.IMO-PUMP.COM    EMAIL: IMO.PUMP@COLFAXCORP.COM

DRAWN WLW 6-21-95  
 CHECKED WLW 6-22-95  
 APPD MJC 6-22-95

**Imo Pump**  
 1710 Airport Road  
 PO Box 5020  
 Monroe, NC USA  
 28111.5020

MATERIAL	PROCESS	THIRD ANGLE PROJECTION	FIRST ORDER	SIZE	CAGE CODE	DWG NO
COMMENTS: STANDARD ROTATION IS CLOCKWISE WHEN VIEWED FROM COUPLING END OF PUMP. SUCTION STRAINER AND DISCHARGE RELIEF VALVE MUST BE PROVIDED. ALIGNMENT: UNITS ARE ACCURATELY ALIGNED AT THE FACTORY. ALIGNMENT SHOULD BE CHECKED BEFORE STARTING TO ENSURE THAT IT IS STILL WITHIN .005 [0.13] F.W. PRESTARTING: FLUSH SUCTION PIPING BEFORE CONNECTING PUMP. PRIME AND VENT PUMP. DO NOT START PUMP WITH VALVES CLOSED. READ INSTRUCTION MANUAL FOR DETAILS BEFORE STARTING.			098104	D	59180	SDD18333
		USED ON	3204/127	SCALE	1/4	WEIGHT SEE NOTE 5 SHEET 1 OF 1

TITLE  
 OUTLINE STANDARD \_\_3D\_S\_\_-156\_\_