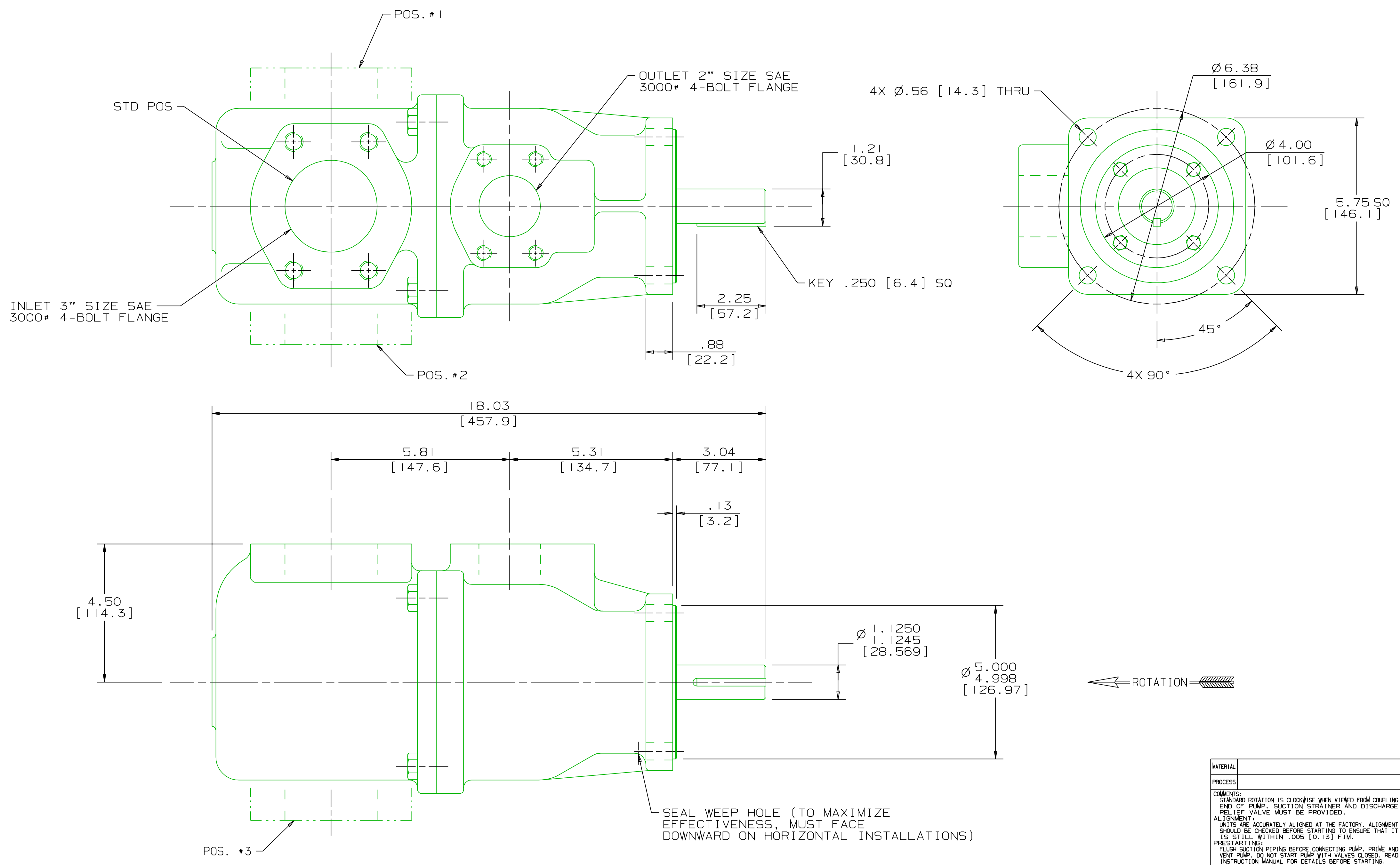
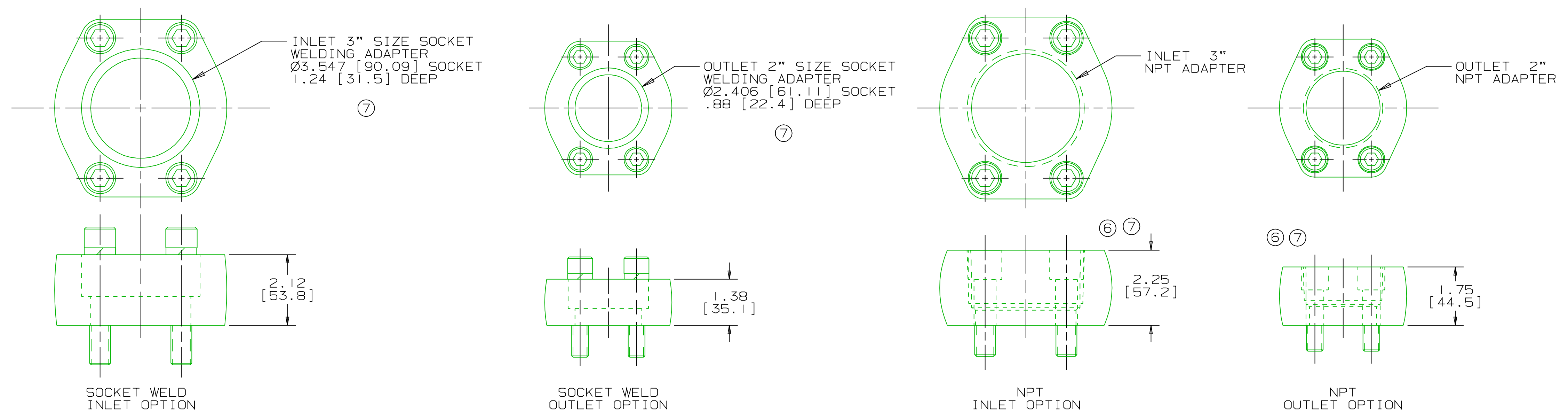


REVISION HISTORY					
CHG NO	ZONE	REV	DESCRIPTION	DATE	BY / APPROVED
01-0270	D3, D4	6	ADDED LOCKWASHERS & CAP SCREW HEADS TO ADAPTERS	5-31-01	KV / KV
01-0287	ALL	7	ALL ADAPTERS UPDATED TO REFLECT 9/99 ANCHOR CATALOG	6-12-01	DMM / DMM



DRAWING CERTIFICATION	
CUSTOMER NAME	-----
CUSTOMER PO NUMBER	---
CUSTOMER PART NUMBER	-
BOM NUMBER	-----
PUMP TYPE	-----
SHAFT ROTATION	-----
INLET PORT POSITION	---
INLET PORT OPTION	---
OUTLET PORT OPTION	---
OTHER INFORMATION	
CERTIFIED BY	-----
CERTIFIED DATE	-----
IMO ORDER NUMBER	-----
DATA REVISION NUMBER	-

- NOTES:
- UNLESS OTHERWISE SPECIFIED, ALL DIMENSIONS ARE IN INCHES. DIMENSIONS IN [ ] ARE MILLIMETERS.
  - PORT POSITIONS ARE RELATIVE TO THE WEEP HOLE FACING DOWNWARD.

WEB ADDRESS: WWW.IMO-PUMP.COM EMAIL: IMO.PUMP@COLFAXCORP.COM

DRAWN: WLW 5-6-95  
 CHECKED: MJC 5-15-95  
 APPD: MJC 5-15-95

**Imo Pump**  
 1710 Airport Road  
 PO Box 5020  
 Monroe, NC USA  
 28111.5020

TITLE: OUTLINE STANDARD \_3E\_CS-187\_/200\_

THIRD ANGLE PROJECTION FIRST ORDER SIZE CAGE CODE DWG NO  
 097169 D 59180 SDD18280

SCALE: 1/2 WEIGHT: 92 LB [41.7 kg] SHEET: 1 OF 1

MATERIAL: \_\_\_\_\_  
 PROCESS: \_\_\_\_\_  
 COMMENTS:  
 STANDARD ROTATION IS CLOCKWISE WHEN VIEWED FROM COUPLING END OF PUMP. SUCTION STRAINER AND DISCHARGE RELIEF VALVE MUST BE PROVIDED.  
 ALIGNMENT:  
 UNITS ARE ACCURATELY ALIGNED AT THE FACTORY. ALIGNMENT SHOULD BE CHECKED BEFORE STARTING TO ENSURE THAT IT IS STILL WITHIN .005 [0.13] F.W.  
 PRESTARTING:  
 FLUSH SUCTION PIPING BEFORE CONNECTING PUMP. PRIME AND VENT PUMP. DO NOT START PUMP WITH VALVES CLOSED. READ INSTRUCTION MANUAL FOR DETAILS BEFORE STARTING.