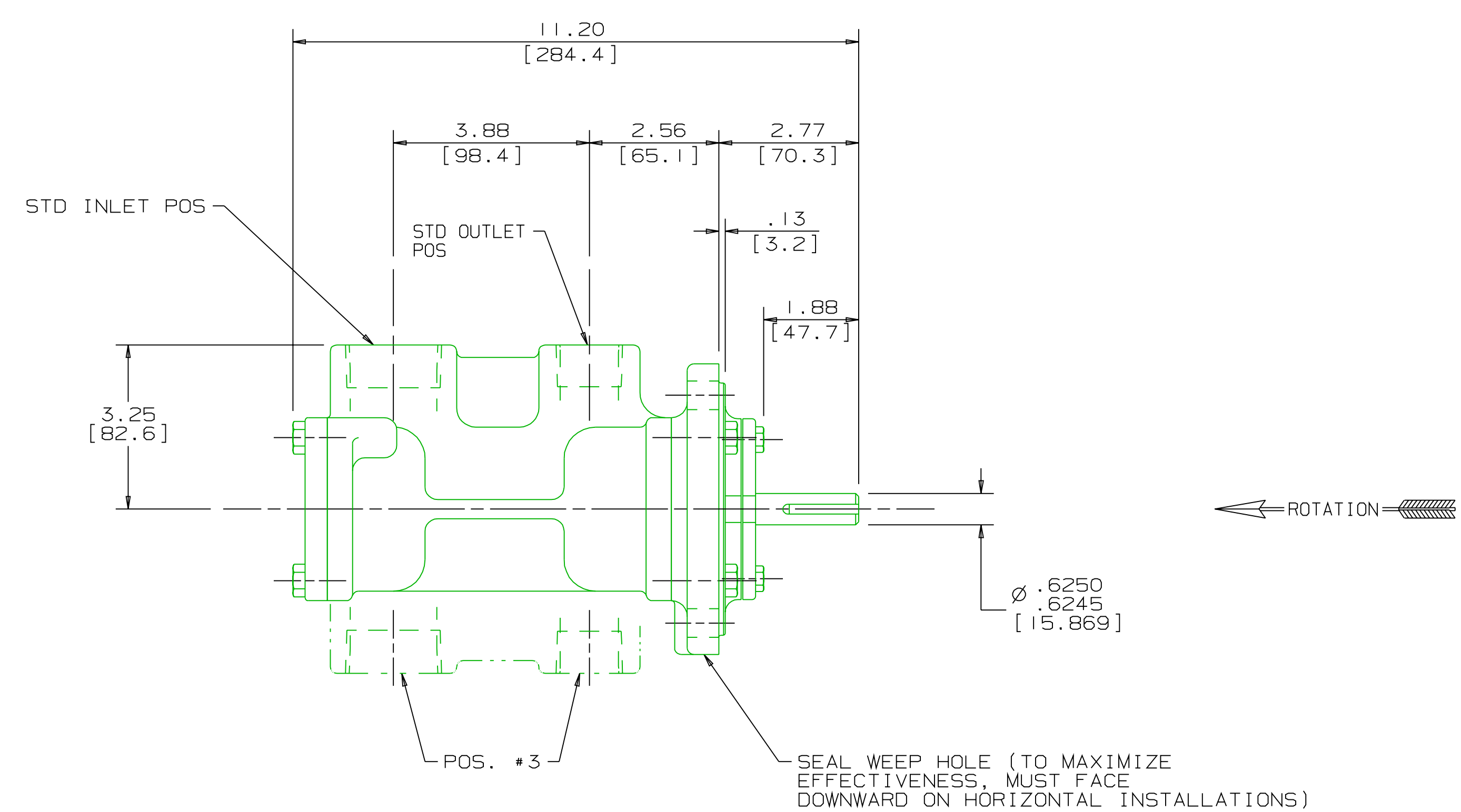
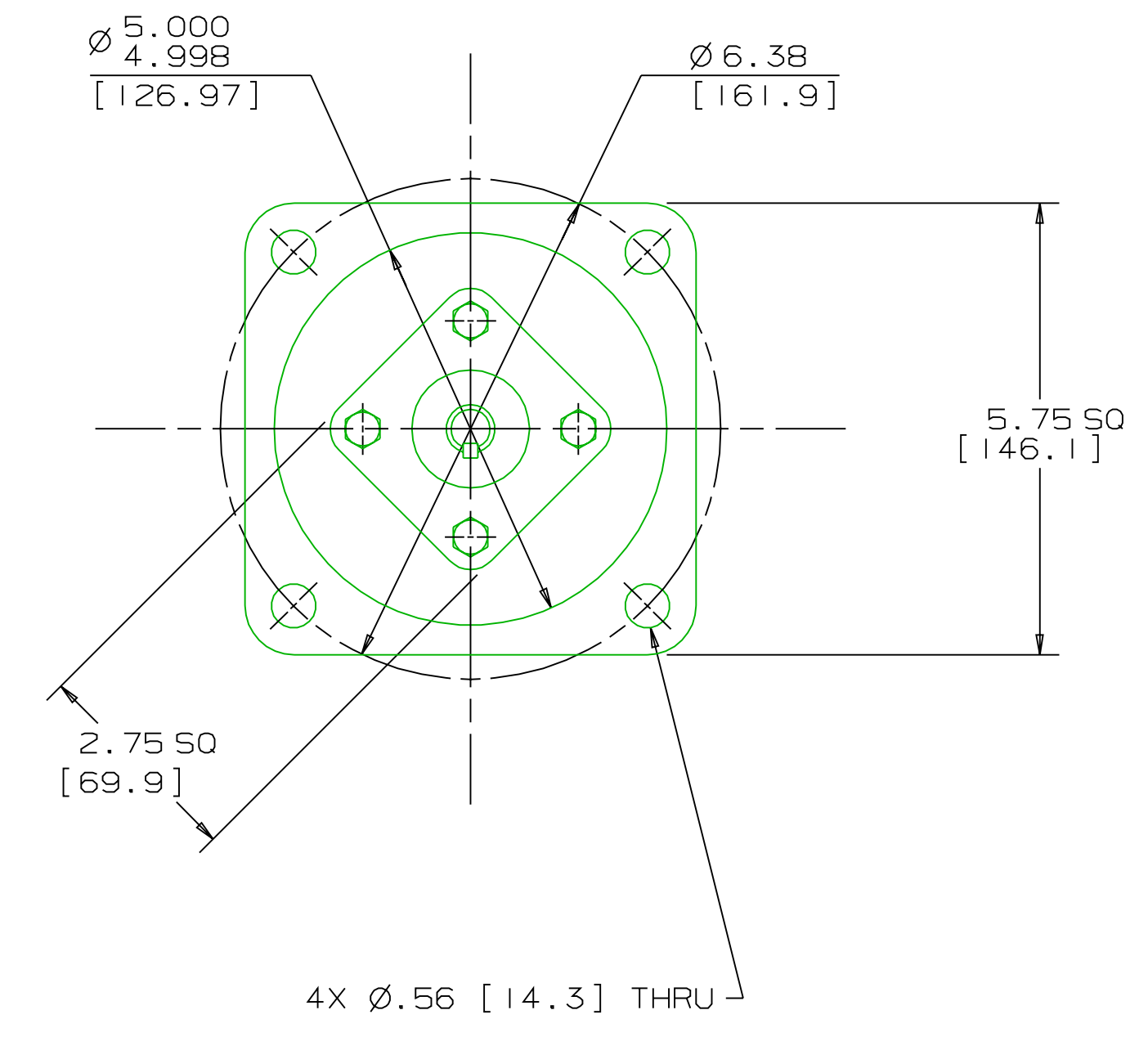
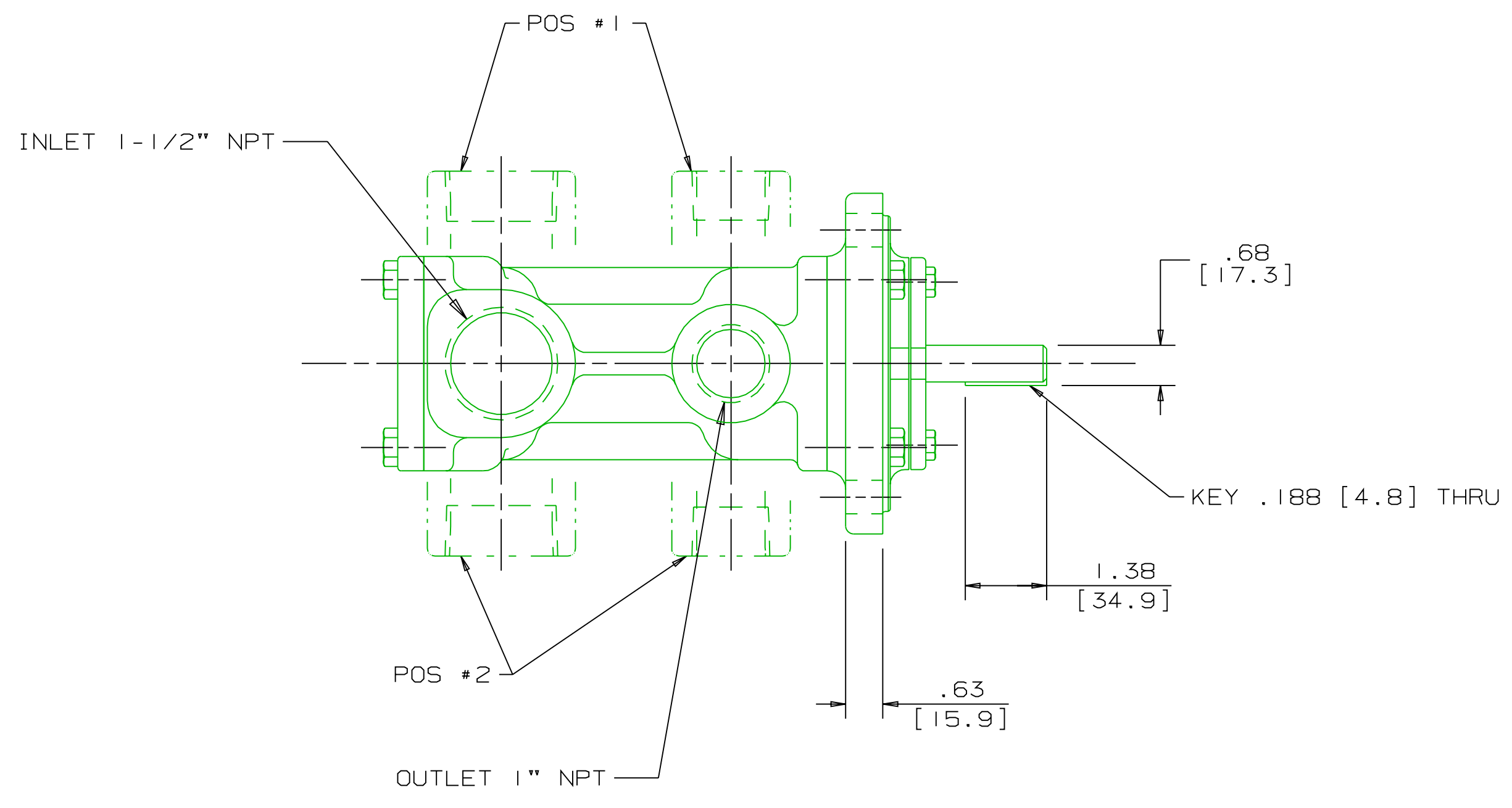


REVISION HISTORY						
CHG NO	ZONE	REV	DESCRIPTION	DATE	BY	APPROVED
00-00292	ALL	2	ADDED SEAL WEEP HOLE NOTE, EMAIL, CERT BLOCK	5-18-00	WLW	WLW



DRAWING CERTIFICATION	
CUSTOMER NAME	-----
CUSTOMER PO NUMBER	---
CUSTOMER PART NUMBER	-
BOM NUMBER	-----
PUMP TYPE	-----
SHAFT ROTATION	-----
PORT POSITION	-----
OTHER INFORMATION	
CERTIFIED BY	-----
CERTIFIED DATE	-----
IMO ORDER NUMBER	----
DATA REVISION NUMBER	-

- NOTES:
- UNLESS OTHERWISE SPECIFIED, ALL DIMENSIONS ARE IN INCHES. DIMENSIONS IN [] ARE MILLIMETERS.
 - PORT POSITIONS ARE RELATIVE TO THE WEEP HOLE FACING DOWNWARD.

WEB ADDRESS: WWW.IMO-PUMP.COM EMAIL: IMO.PUMP@COLFAXCORP.COM

DRAWN WLW 4-24-95
 CHECKED WLW 4-24-95
 APPD MJC 4-25-95

Imo Pump
 Imo Pump
 1710 Airport Road
 PO Box 5020
 Monroe, NC USA
 28111.5020

MATERIAL

PROCESS

COMMENTS:
 STANDARD ROTATION IS CLOCKWISE WHEN VIEWED FROM COUPLING END OF PUMP. SUCTION STRAINER AND DISCHARGE RELIEF VALVE MUST BE PROVIDED.
 ALIGNMENT:
 UNITS ARE ACCURATELY ALIGNED AT THE FACTORY. ALIGNMENT SHOULD BE CHECKED BEFORE STARTING TO ENSURE THAT IT IS STILL WITHIN .005 [0.13] F.W.
 PRESTARTING:
 FLUSH SUCTION PIPING BEFORE CONNECTING PUMP. PRIME AND VENT PUMP. DO NOT START PUMP WITH VALVES CLOSED. READ INSTRUCTION MANUAL FOR DETAILS BEFORE STARTING.

TITLE
 OUTLINE STANDARD _3E_C-118_

THIRD ANGLE PROJECTION F FIRST ORDER SIZE CAGE CODE DWG NO
 USED ON 096939 59180 SDD 18268
 SCALE 1/2 WEIGHT 27 LBS [12.3 kg] SHEET 1 OF 1