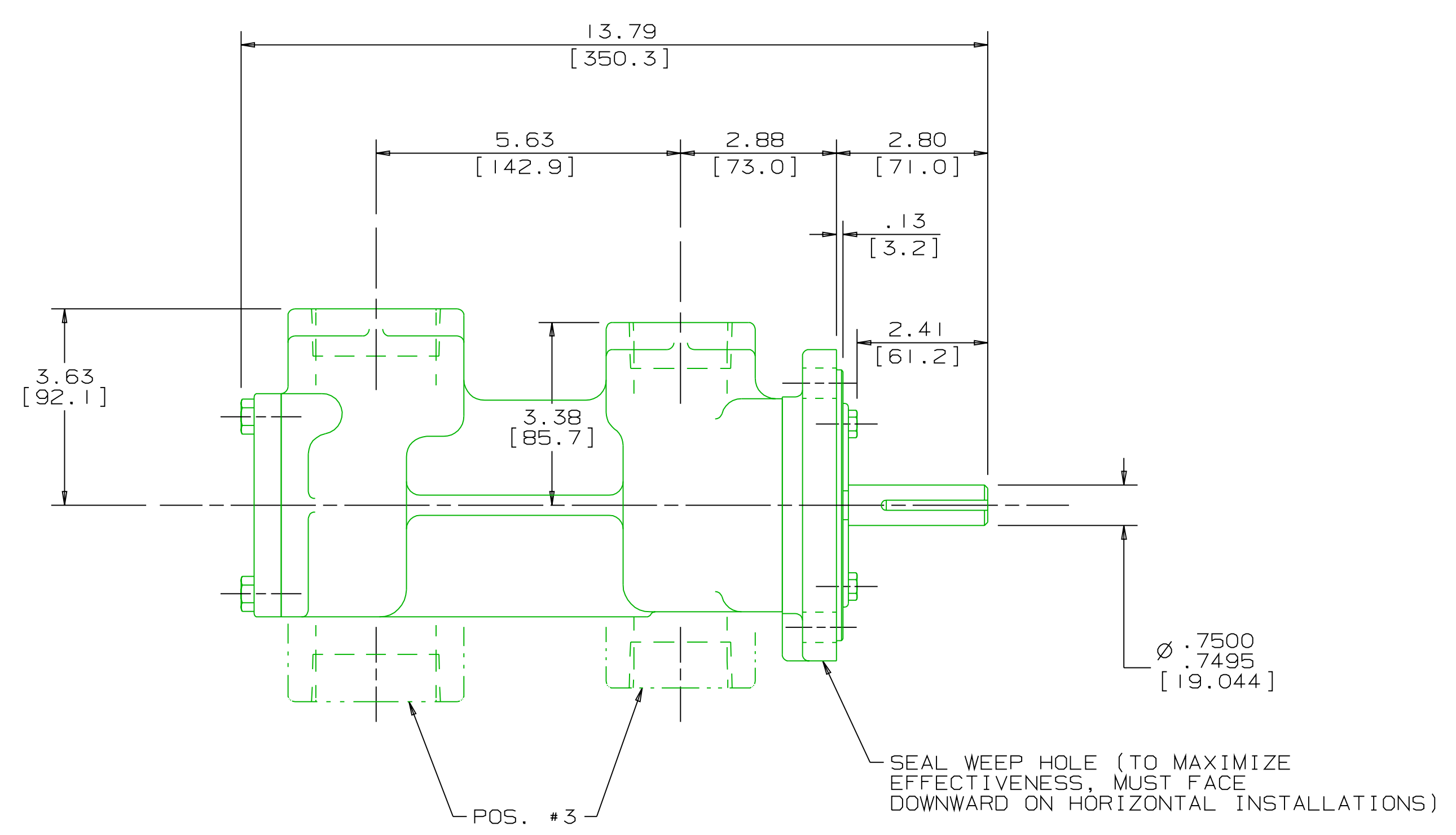
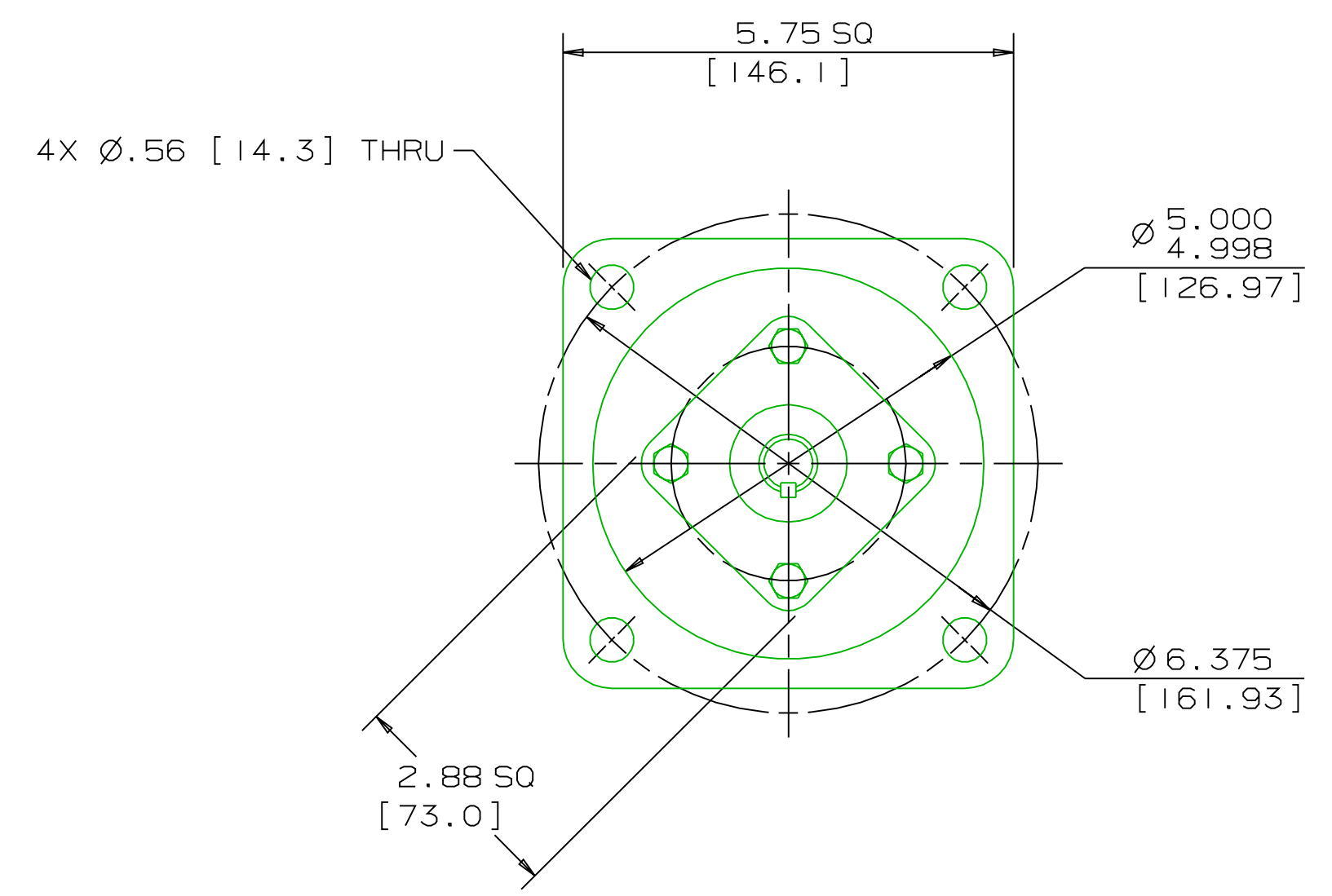
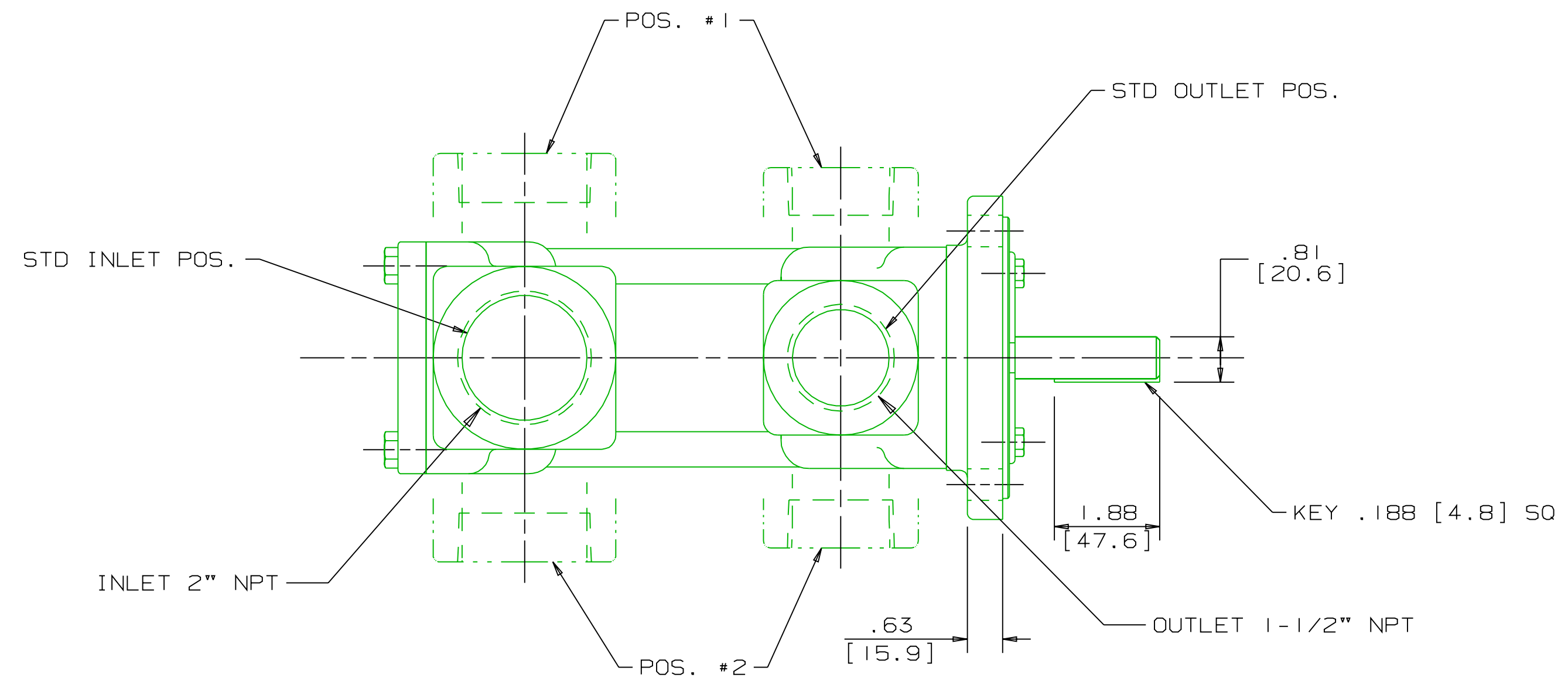


REVISION HISTORY						
CHG NO	ZONE	REV	DESCRIPTION	DATE	BY	APPROVED
96-00043	B	1	ADDED GENERIC OUTLINE DATA BLOCK	1-24-96	DMS	MJC
99-00000	ALL	2	REVISED FOR APPV'D ANSI FORMAT	08-27-99	JTT	JTT
00-00292	ALL	3	ADD WEEP HOLE NOTE, NOTE 2, CERT BLOCK, EMAIL	5-15-00	WLLW	WLLW



← ROTATION →

DRAWING CERTIFICATION	
CUSTOMER NAME	-----
CUSTOMER PO NUMBER	---
CUSTOMER PART NUMBER	-
BOM NUMBER	-----
PUMP TYPE	-----
SHAFT ROTATION	-----
PORT POSITION	-----
OTHER INFORMATION	
CERTIFIED BY	-----
CERTIFIED DATE	-----
IMO ORDER NUMBER	-----
DATA REVISION NUMBER	-

- NOTES:
- UNLESS OTHERWISE SPECIFIED, ALL DIMENSIONS ARE IN INCHES. DIMENSIONS IN [] ARE MILLIMETERS.
 - PORT POSITIONS ARE RELATIVE TO THE WEEP HOLE FACING DOWNWARD.

WEB ADDRESS: WWW.IMO-PUMP.COM EMAIL: IMO.PUMP@COLFAXCORP.COM

DRAWN WLLW 4-6-95
 CHECKED WLLW 4-6-95
 APPD MJC 4-17-95

Imo Pump
 1710 Airport Road
 PO Box 5020
 Monroe, NC USA
 28111.5020

MATERIAL	PROCESS	METHODS	THIRD ANGLE PROJECTION	FIRST ORDER	SIZE	CAGE CODE	DWG NO
				096584	D	59180	SDD18251
COMMENTS: STANDARD ROTATION IS CLOCKWISE WHEN VIEWED FROM COUPLING END OF PUMP. SUCTION STRAINER AND DISCHARGE RELIEF VALVE MUST BE PROVIDED. ALIGNMENT: UNITS ARE ACCURATELY ALIGNED AT THE FACTORY. ALIGNMENT SHOULD BE CHECKED BEFORE STARTING TO ENSURE THAT IT IS STILL WITHIN .005 [0.13] F.W. PRESTARTING: FLUSH SUCTION PIPING BEFORE CONNECTING PUMP. PRIME AND VENT PUMP. DO NOT START PUMP WITH VALVES CLOSED. READ INSTRUCTION MANUAL FOR DETAILS BEFORE STARTING.				TITLE OUTLINE STANDARD _3E_C-143_/162_			
USED ON 3 2 4 2 / 25 0				SCALE	1/2	WEIGHT	38 LBS [17.2 kg]
				SHEET	1	OF	1