

REVISION HISTORY					
CHG NO	ZONE	REV	DESCRIPTION	DATE	BY / APPROVED
00-00365	ALL	4	NPT ADAPTERS UPDATED	8-2-00	DAV / MLW
01-0270	D3, D5	5	ADDED LOCKWASHERS & CAP SCREW HEADS TO ADAPTERS	5-30-01	KV / KV
01-0287	ALL	6	ALL ADAPTERS UPDATED TO REFLECT 9/99 ANCHOR CATALOG	6-11-01	DMM / DMM

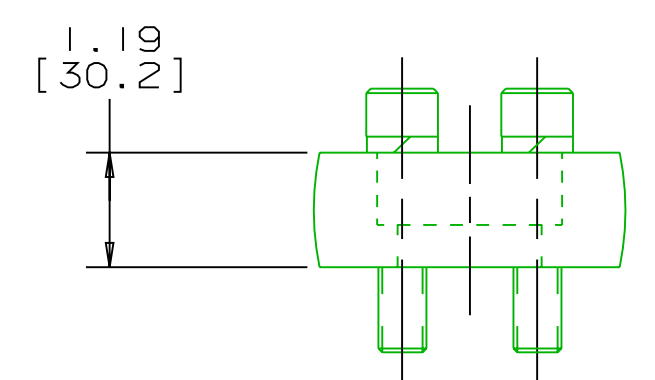
INLET 1-1/2" SIZE SOCKET WELDING ADAPTER
 Ø1.922 [48.82] SOCKET
 .75 [19.1] DEEP

OUTLET 1" SIZE SOCKET WELDING ADAPTER
 Ø1.326 [33.68] SOCKET
 .63 [16.0] DEEP

INLET 1-1/2" NPT ADAPTER

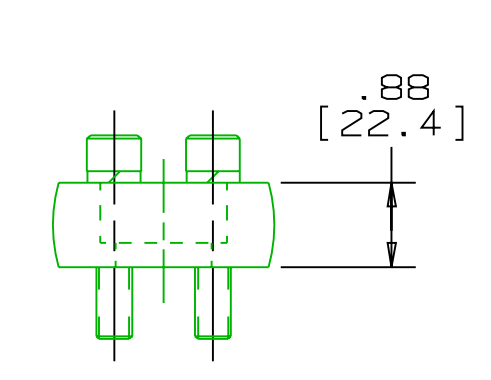
OUTLET 1" NPT ADAPTER

⑥



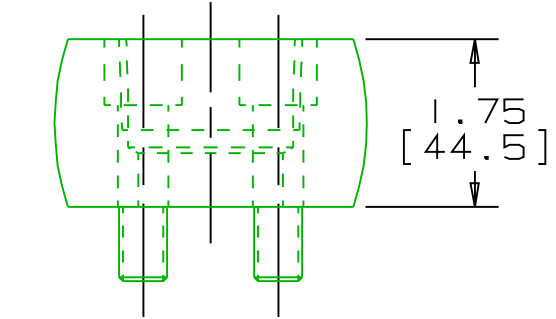
SOCKET WELD INLET OPTION

⑥



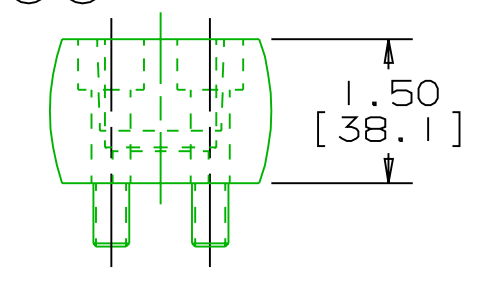
SOCKET WELD OUTLET OPTION

⑤⑥

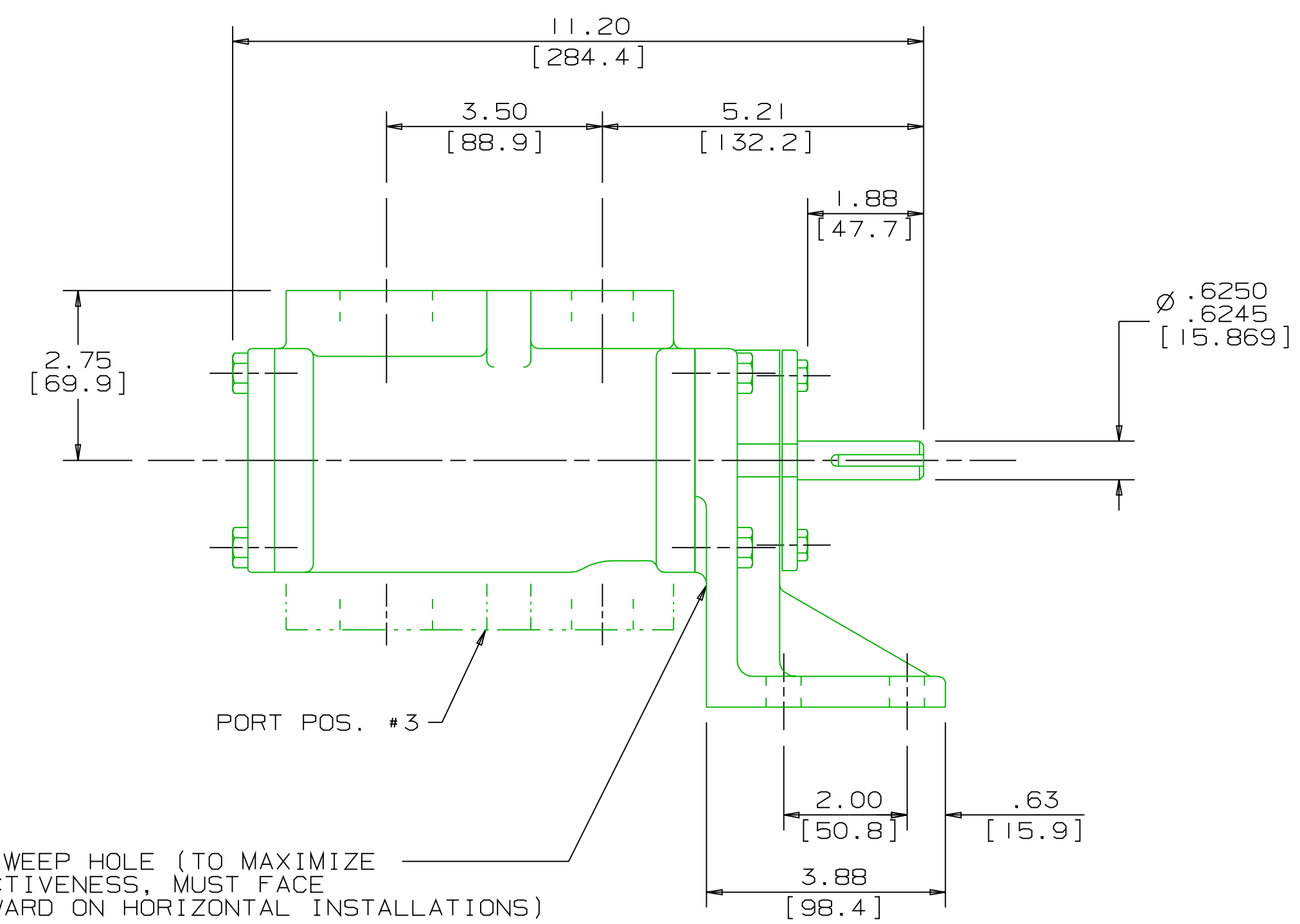
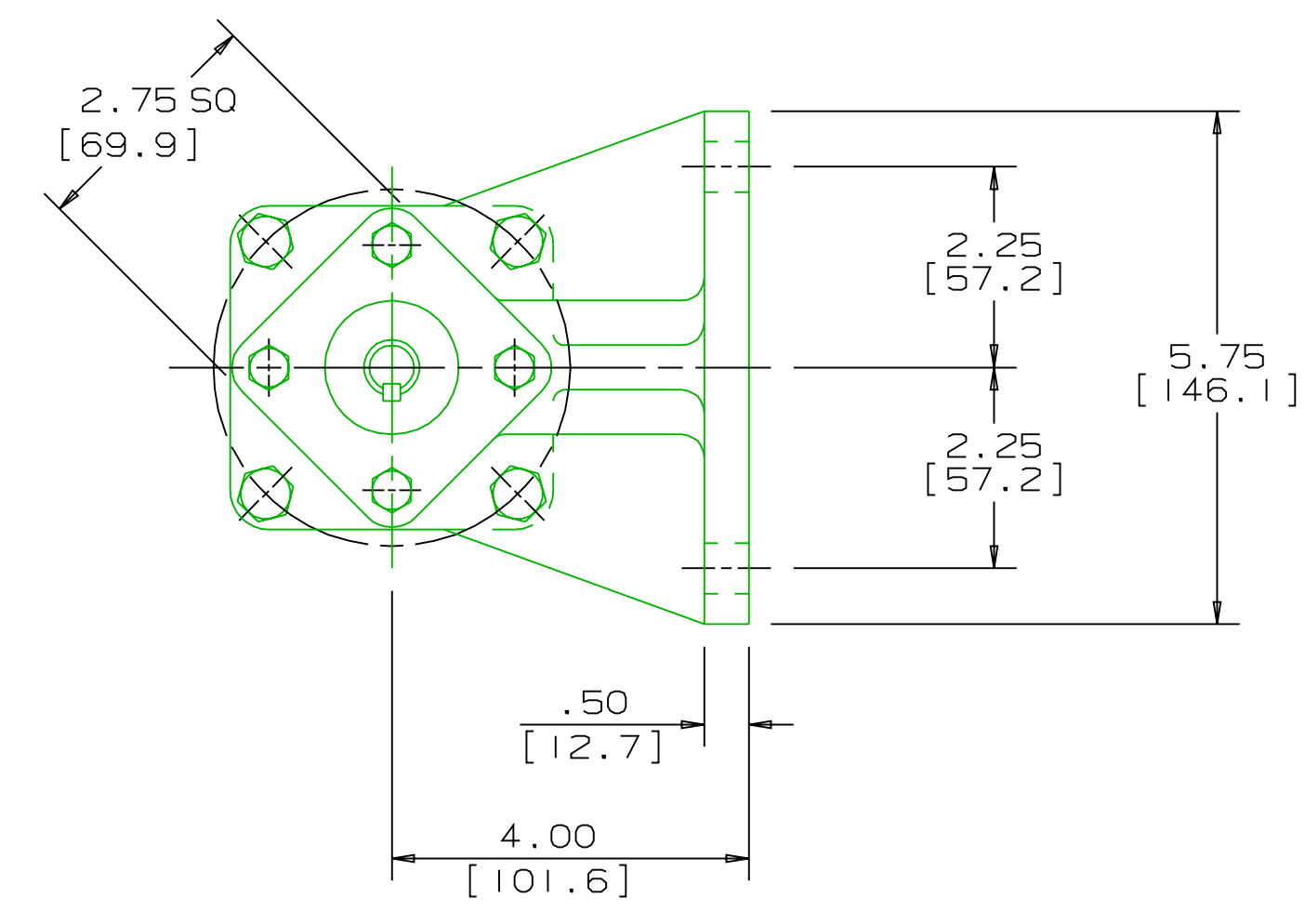
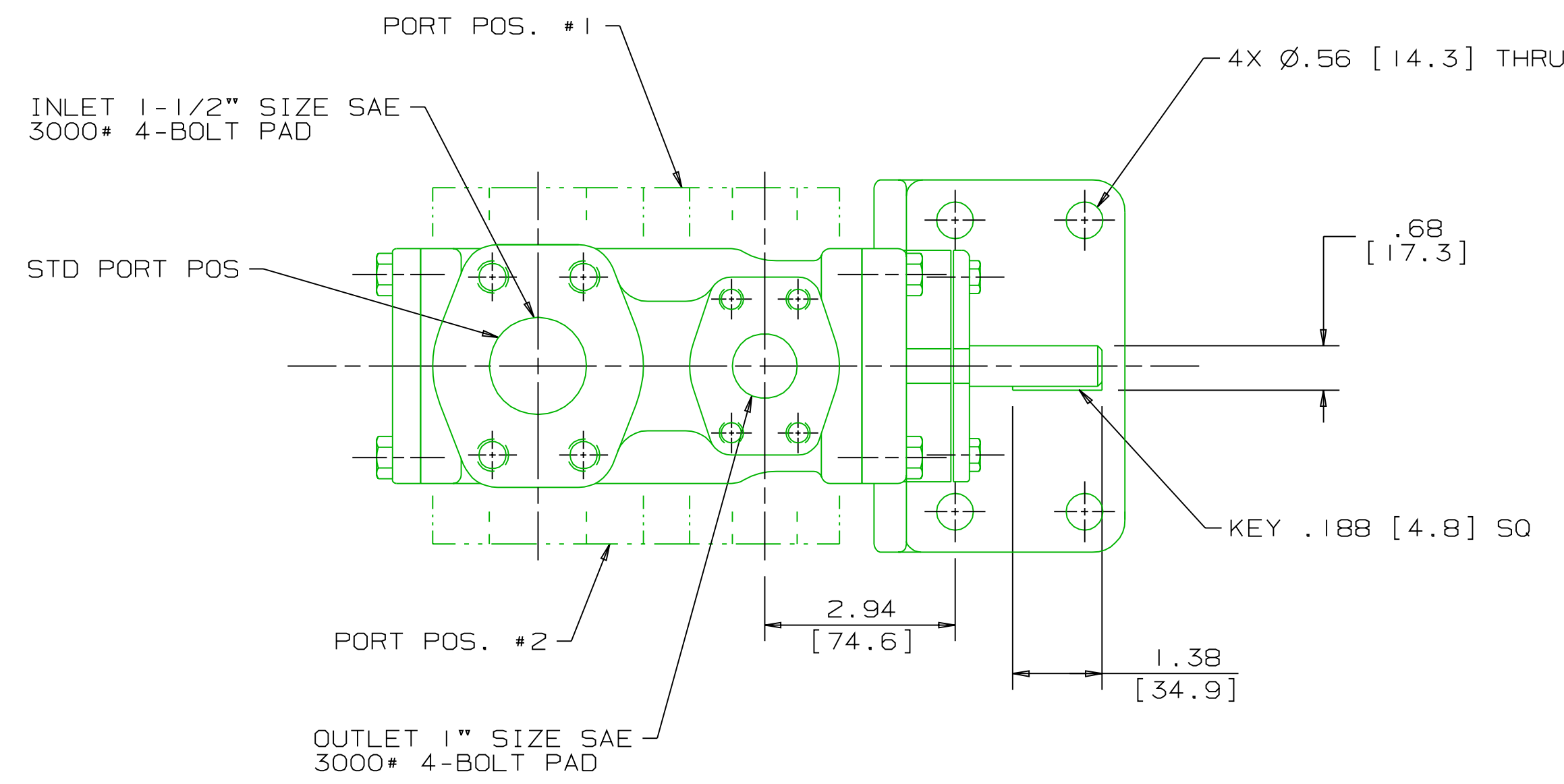


NPT INLET OPTION

⑤⑥



NPT OUTLET OPTION



← ROTATION →

DRAWING CERTIFICATION	
CUSTOMER NAME	-----
CUSTOMER PO NUMBER	---
CUSTOMER PART NUMBER	-
BOM NUMBER	-----
PUMP TYPE	-----
SHAFT ROTATION	-----
PORT POSITION	-----
INLET PORT OPTION	----
OUTLET PORT OPTION	---
OTHER INFORMATION	
CERTIFIED BY	-----
CERTIFIED DATE	-----
IMO ORDER NUMBER	----
DATA REVISION NUMBER	-

- NOTES:
- UNLESS OTHERWISE SPECIFIED, ALL DIMENSIONS ARE IN INCHES. DIMENSIONS IN [] ARE MILLIMETERS.
 - PORT POSITIONS ARE RELATIVE TO THE WEEP HOLE FACING DOWNWARD.

WEB ADDRESS: WWW.IMO-PUMP.COM EMAIL: IMO.PUMP@COLFAXCORP.COM

DRAWN WLW 2-13-95
 CHECKED MJC 2-17-95
 APPD MJC 2-17-95

Imo Pump
 1710 Airport Road
 PO Box 5020
 Monroe, NC USA
 28111.5020

MATERIAL
 PROCESS
 COMMENTS:
 STANDARD ROTATION IS CLOCKWISE WHEN VIEWED FROM COUPLING END OF PUMP. SUCTION STRAINER AND DISCHARGE RELIEF VALVE MUST BE PROVIDED.
 ALIGNMENT:
 UNITS ARE ACCURATELY ALIGNED AT THE FACTORY. ALIGNMENT SHOULD BE CHECKED BEFORE STARTING TO ENSURE THAT IT IS STILL WITHIN .005 [0.13] F.W.
 PRESTARTING:
 FLUSH SUCTION PIPING BEFORE CONNECTING PUMP. PRIME AND VENT PUMP. DO NOT START PUMP WITH VALVES CLOSED. READ INSTRUCTION MANUAL FOR DETAILS BEFORE STARTING.

TITLE
 OUTLINE STANDARD _3E_FS-118_

THIRD ANGLE PROJECTION FIRST ORDER SIZE CAGE CODE DWG NO
 USED ON 094997 D 59180 SDD18198
 3251 / 360 SCALE 1/2 WEIGHT 27 LBS [12.2 kg] SHEET 1 OF 1