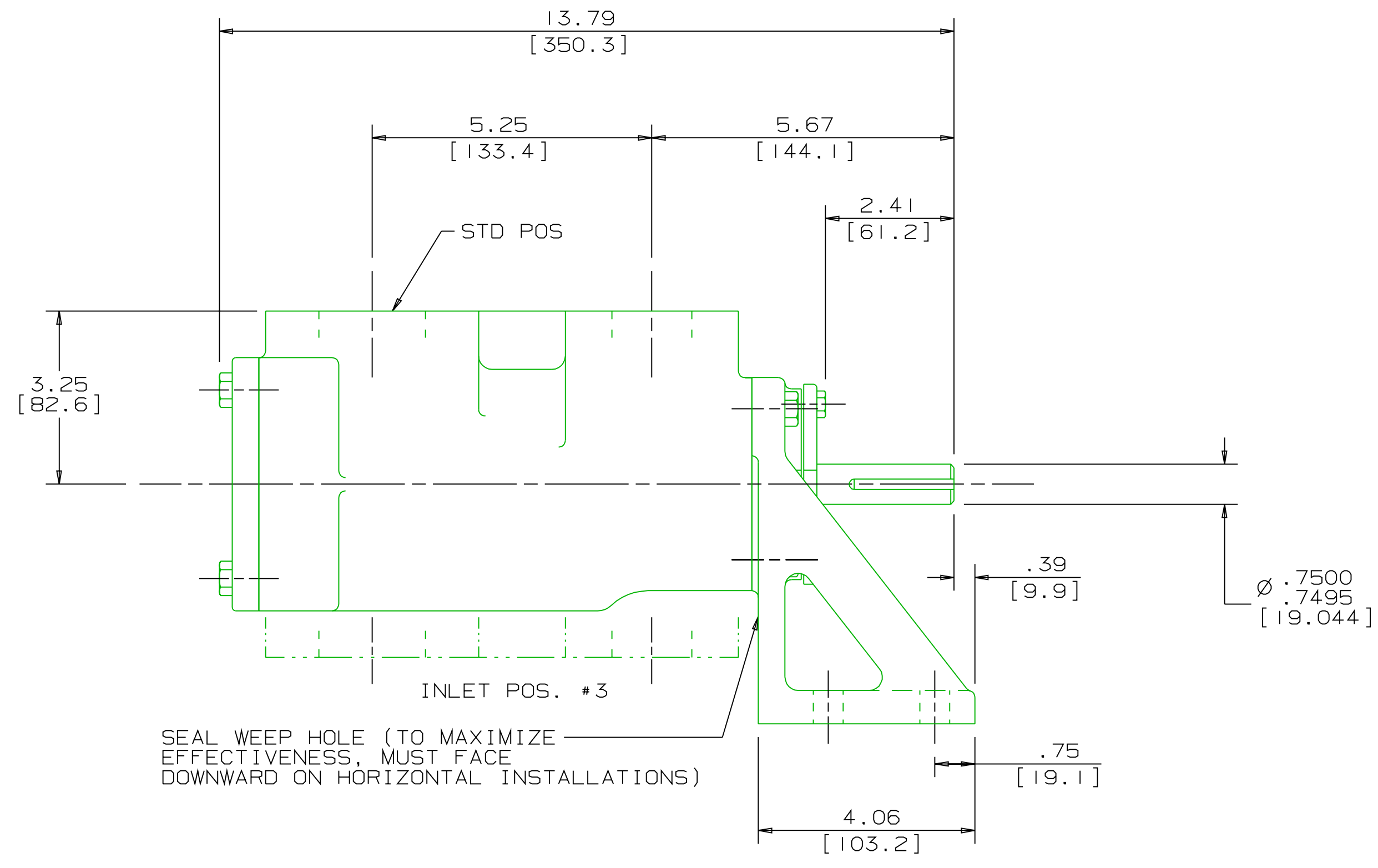
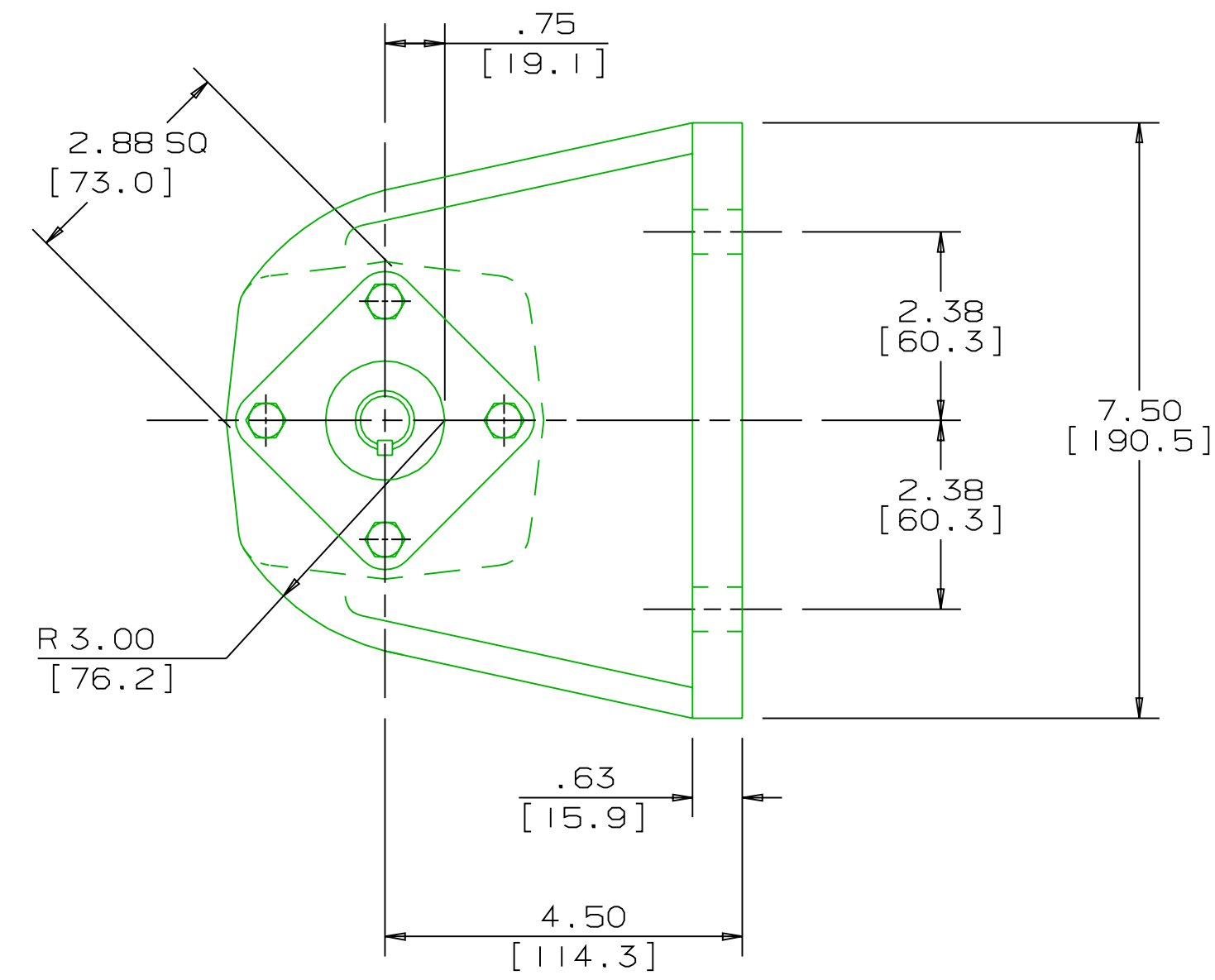
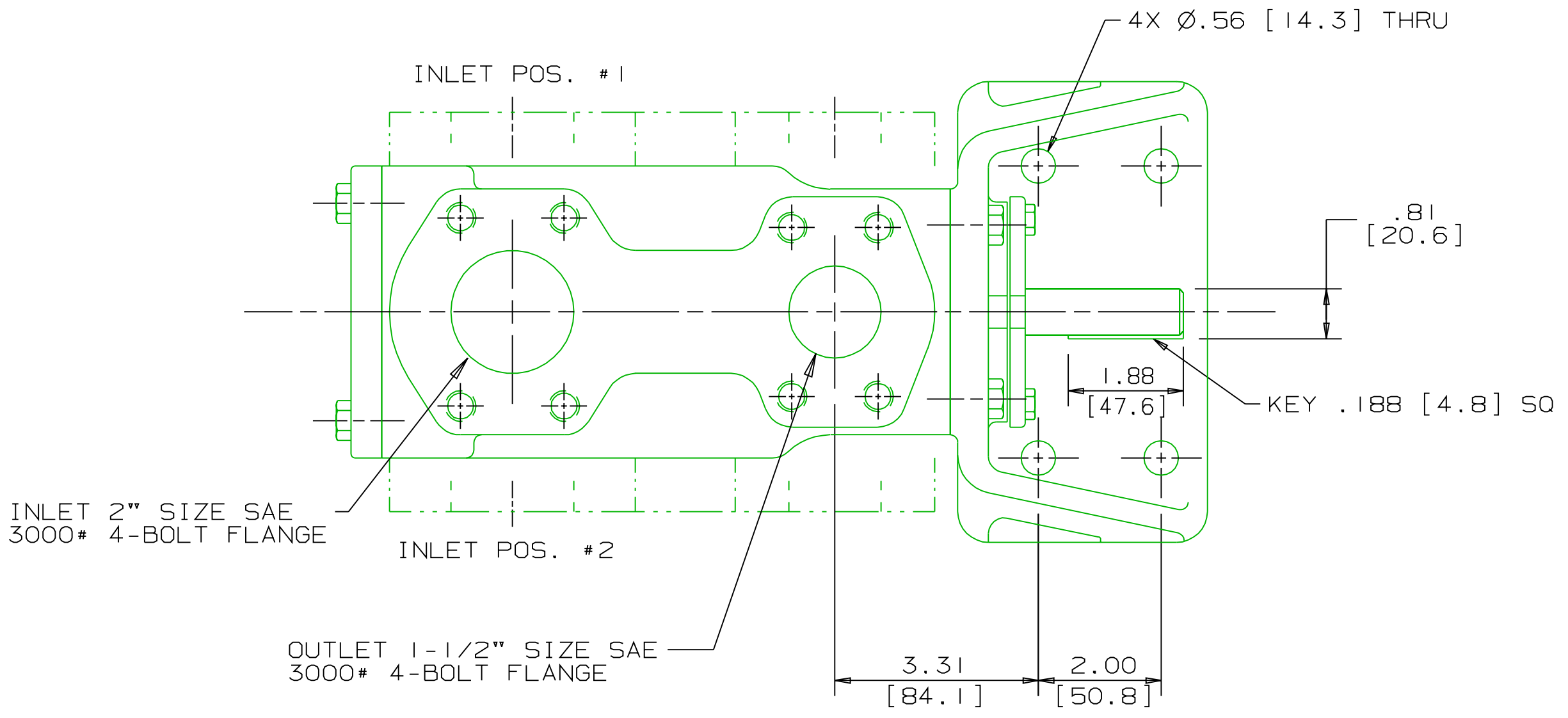
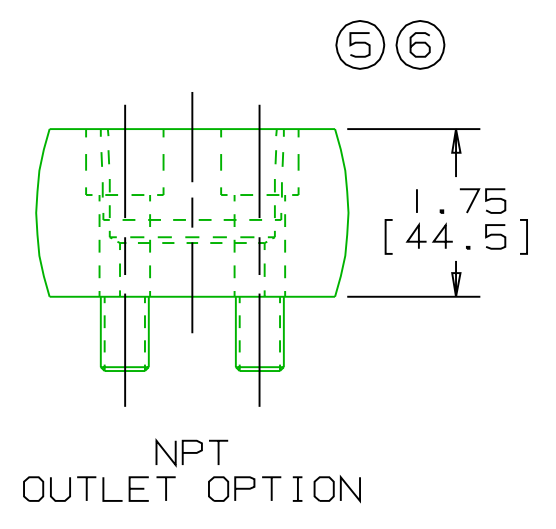
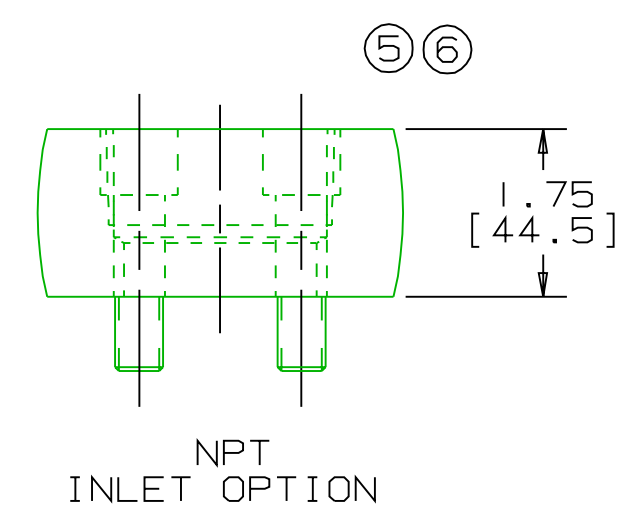
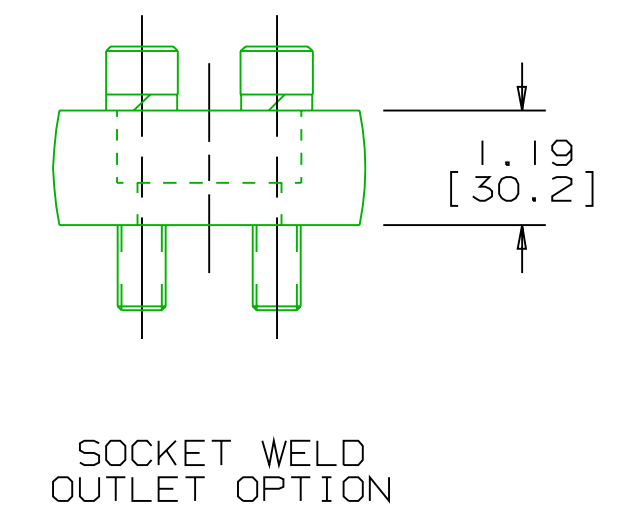
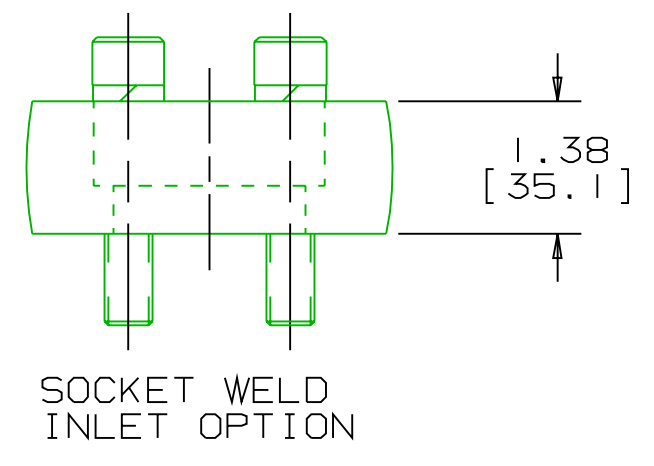
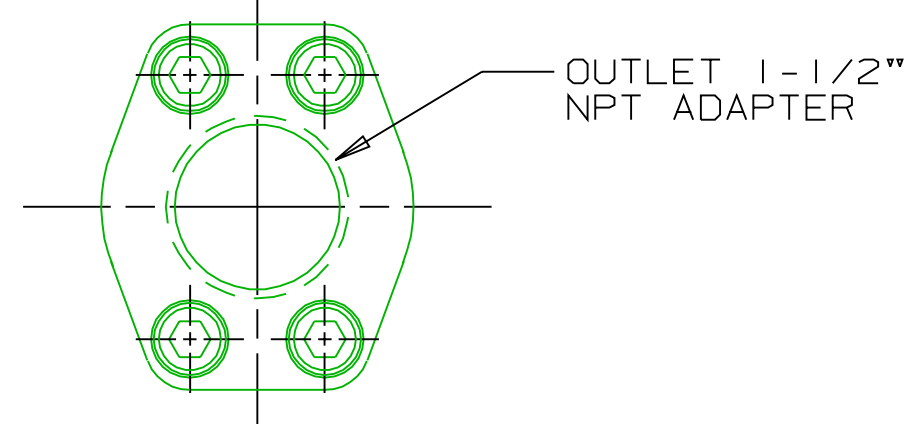
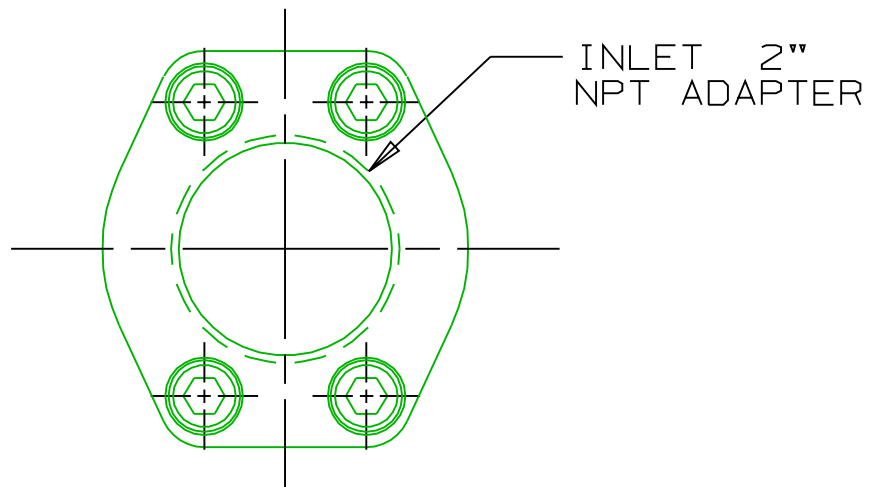
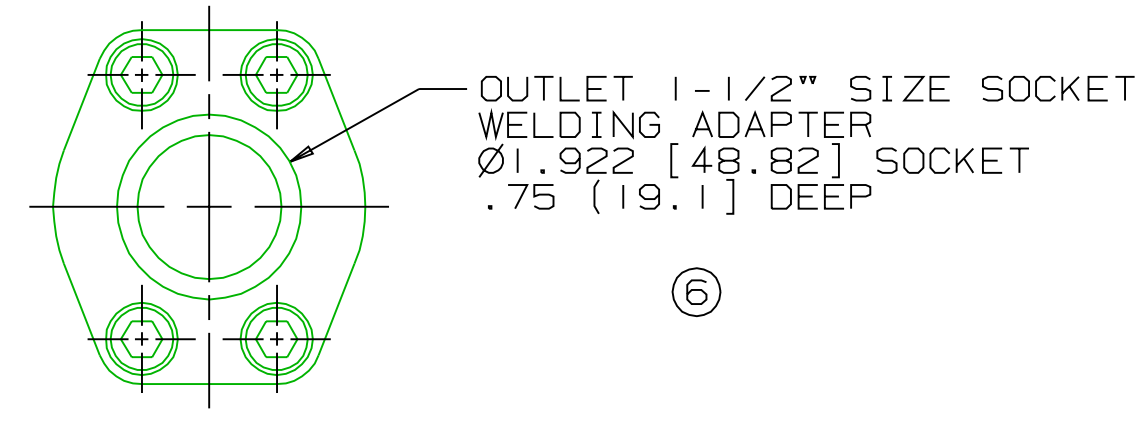
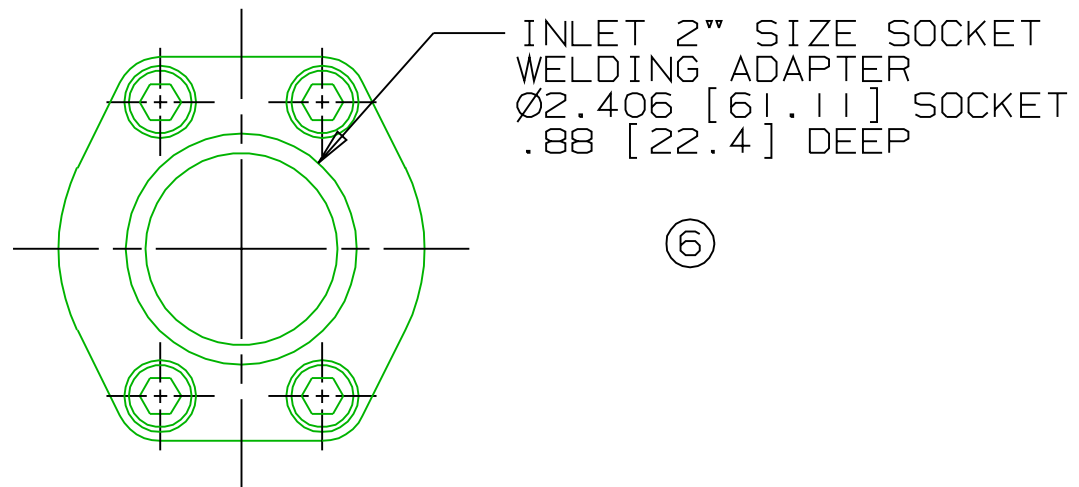


REVISION HISTORY						
CHG NO	ZONE	REV	DESCRIPTION	DATE	BY	APPROVED
00-00365	ALL	4	NPT ADAPTERS UPDATED	8-2-00	DAV	MLW
01-0270	D3-D5	5	ADDED LOCKWASHERS & CAP SCREW HEADS TO ADAPTERS	5-31-01	KV	KV
01-0287	ALL	6	ALL ADAPTERS UPDATED TO REFLECT 9/99 ANCHOR CATALOG	6-12-01	DMM	DMM



← ROTATION →

DRAWING CERTIFICATION	
CUSTOMER NAME	-----
CUSTOMER PO NUMBER	---
CUSTOMER PART NUMBER	-
BOM NUMBER	-----
PUMP TYPE	-----
SHAFT ROTATION	-----
PORT POSITION	-----
INLET PORT OPTION	----
OUTLET PORT OPTION	----
OTHER INFORMATION	
CERTIFIED BY	-----
CERTIFIED DATE	-----
IMO ORDER NUMBER	-----
DATA REVISION NUMBER	-

- NOTES:
- UNLESS OTHERWISE SPECIFIED, ALL DIMENSIONS ARE IN INCHES. DIMENSIONS IN [ ] ARE MILLIMETERS.
  - PORT POSITIONS ARE RELATIVE TO THE WEEP HOLE FACING DOWNWARD.

WEB ADDRESS: WWW.IMO-PUMP.COM EMAIL: IMO.PUMP@COLFAXCORP.COM

DRAWN WLW 11-22-94  
 CHECKED MJC 12-6-94  
 APPD MJC 12-6-94

**Imo Pump**  
 1710 Airport Road  
 PO Box 5020  
 Monroe, NC USA  
 28111.5020

MATERIAL  
 PROCESS  
 COMMENTS:  
 STANDARD ROTATION IS CLOCKWISE WHEN VIEWED FROM COUPLING END OF PUMP. SUCTION STRAINER AND DISCHARGE RELIEF VALVE MUST BE PROVIDED.  
 ALIGNMENT:  
 UNITS ARE ACCURATELY ALIGNED AT THE FACTORY. ALIGNMENT SHOULD BE CHECKED BEFORE STARTING TO ENSURE THAT IT IS STILL WITHIN .005 [0.13] F.W.  
 PRESTARTING:  
 FLUSH SUCTION PIPING BEFORE CONNECTING PUMP. PRIME AND VENT PUMP. DO NOT START PUMP WITH VALVES CLOSED. READ INSTRUCTION MANUAL FOR DETAILS BEFORE STARTING.

TITLE  
**OUTLINE STANDARD \_3E\_FS-143\_/162\_**

THIRD ANGLE PROJECTION	FIRST ORDER	SIZE	CAGE CODE	DWG NO
	093881	D	59180	SDD18103
USED ON	3252/660	SCALE	1/2	WEIGHT 38 LBS [17.2 kg]
				SHEET 1 OF 1