

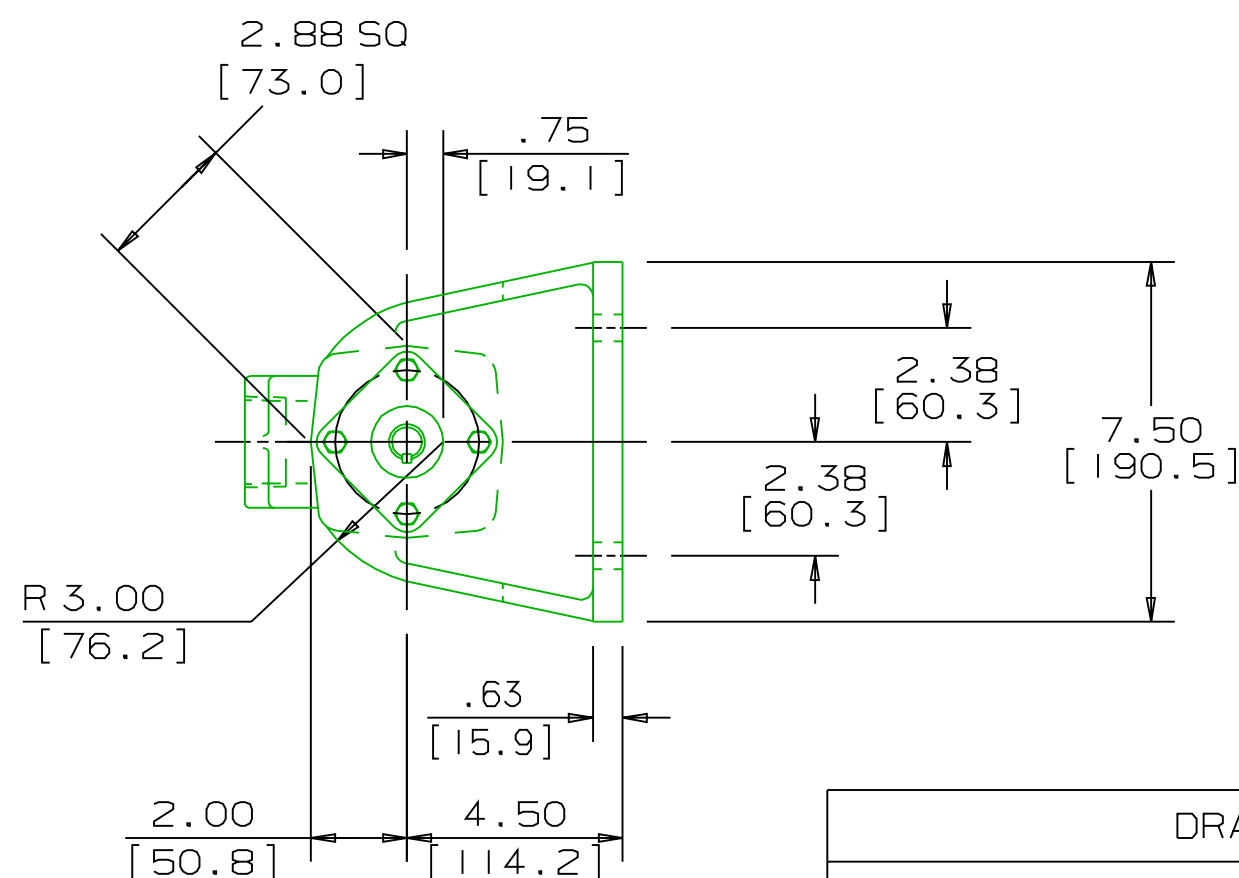
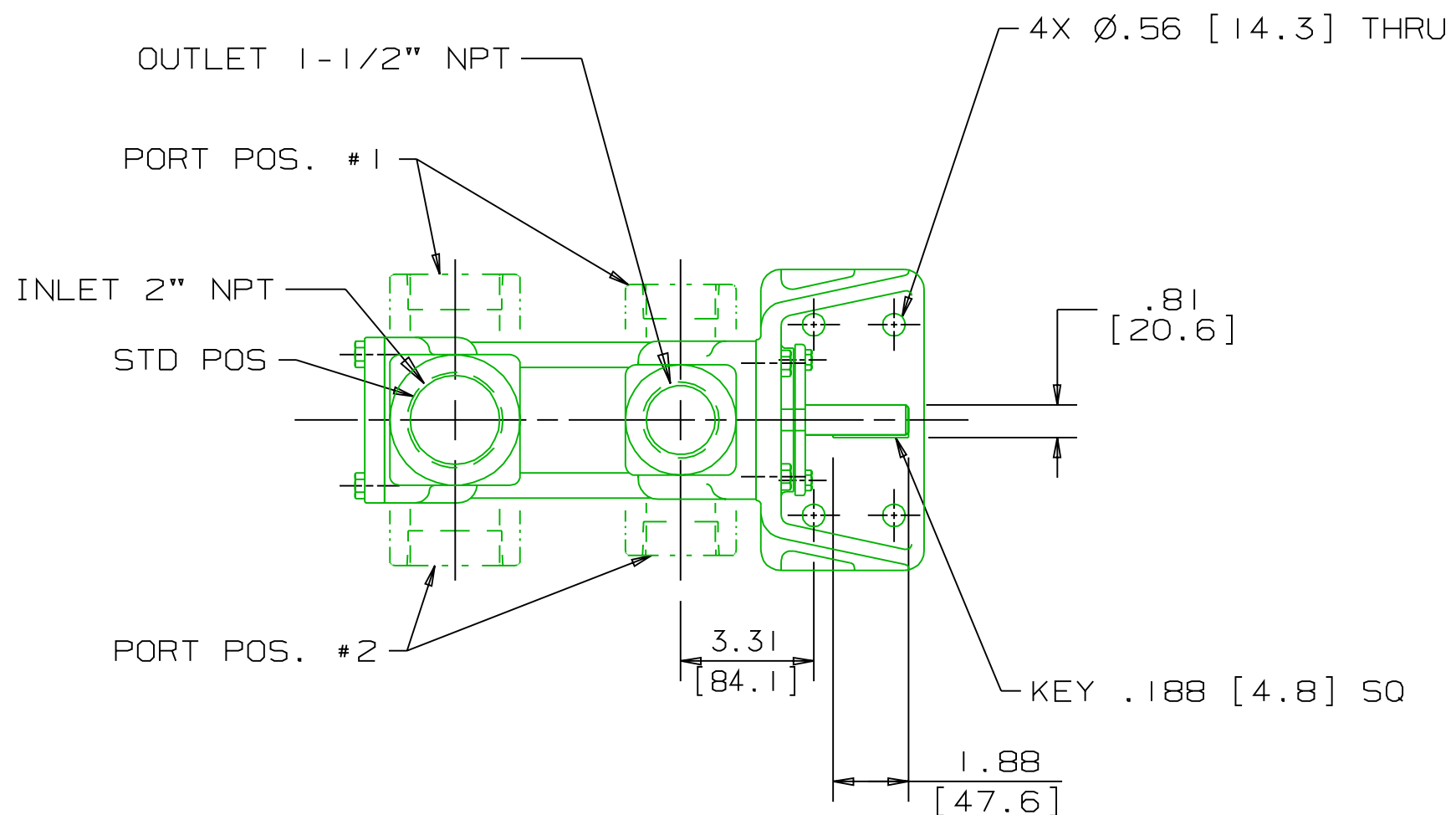
4

3

2

REVISION HISTORY

| CHG NO   | ZONE | REV | DESCRIPTION  | DATE    | BY  | APPROVED |
|----------|------|-----|--|---------|-----|----------|
| 00-00292 | ALL  | 2   | ADD WEEP HOLE NOTE, NOTE 2, EMAIL<br>ADD CERT BLOCK, ALTERNATE PORT POS. | 5-15-00 | WLW | WLW      |



DRAWING CERTIFICATION

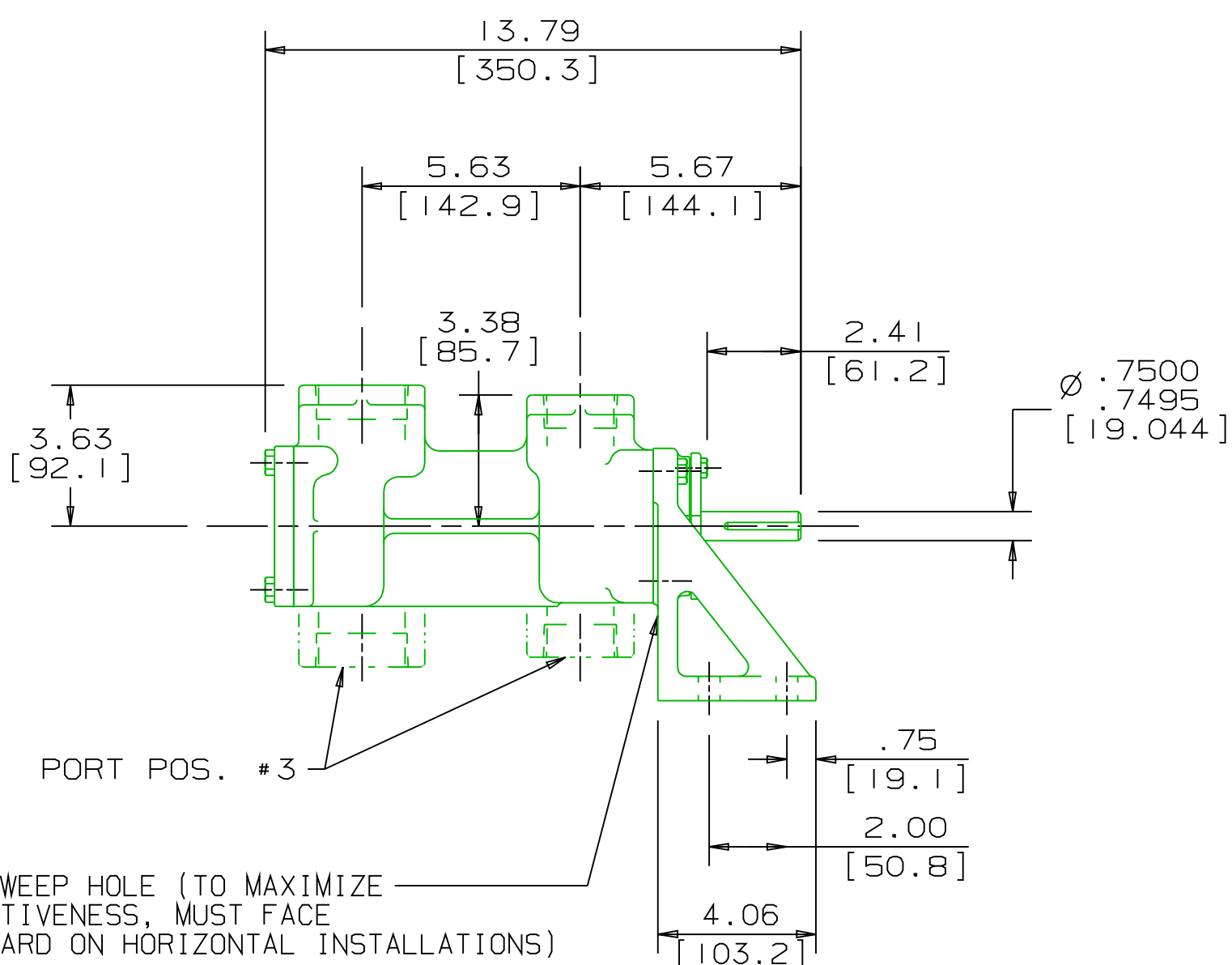
CUSTOMER NAME -----  
 CUSTOMER PO NUMBER ---  
 CUSTOMER PART NUMBER -

BOM NUMBER -----  
 PUMP TYPE -----  
 SHAFT ROTATION -----  
 PORT POSITION -----

OTHER INFORMATION

CERTIFIED BY -----  
 CERTIFIED DATE -----  
 IMO ORDER NUMBER -----  
 DATA REVISION NUMBER -

- NOTES:  
 1. UNLESS OTHERWISE SPECIFIED,  
 ALL DIMENSIONS ARE IN INCHES.  
 DIMENSIONS IN [ ] ARE MILLIMETERS.  
 2. PORT POSITIONS ARE RELATIVE  
 TO THE WEEP HOLE FACING  
 DOWNWARD.



SEAL WEEP HOLE (TO MAXIMIZE EFFECTIVENESS, MUST FACE DOWNWARD ON HORIZONTAL INSTALLATIONS)

WEB ADDRESS: WWW.IMO-PUMP.COM      EMAIL: IMO.PUMP@COLFAXCORP.COM

|          |                    |  |  |
|----------|--------------------|--|--|
| MATERIAL | DRAWN WLW 9-2-94   | TITLE OUTLINE STANDARD _3E_F-143_/162_ |  |
| PROCESS  | CHECKED MJC 9-8-94 | SIZE C                                 | CAGE CODE 59180                                |
|          | APPD MJC 9-8-94    | DWG NO SDD18020                        |  |
|          | METHODS            | THIRD ANGLE PROJECTION                 | FIRST ORDER 092212                             |
|          |                    | USED ON 3242/260                       | SCALE 1/4 WEIGHT 38 LBS [17.2 kg] SHEET 1 OF 1 |

4

3

2

D

C

B

A

D

C

B

A