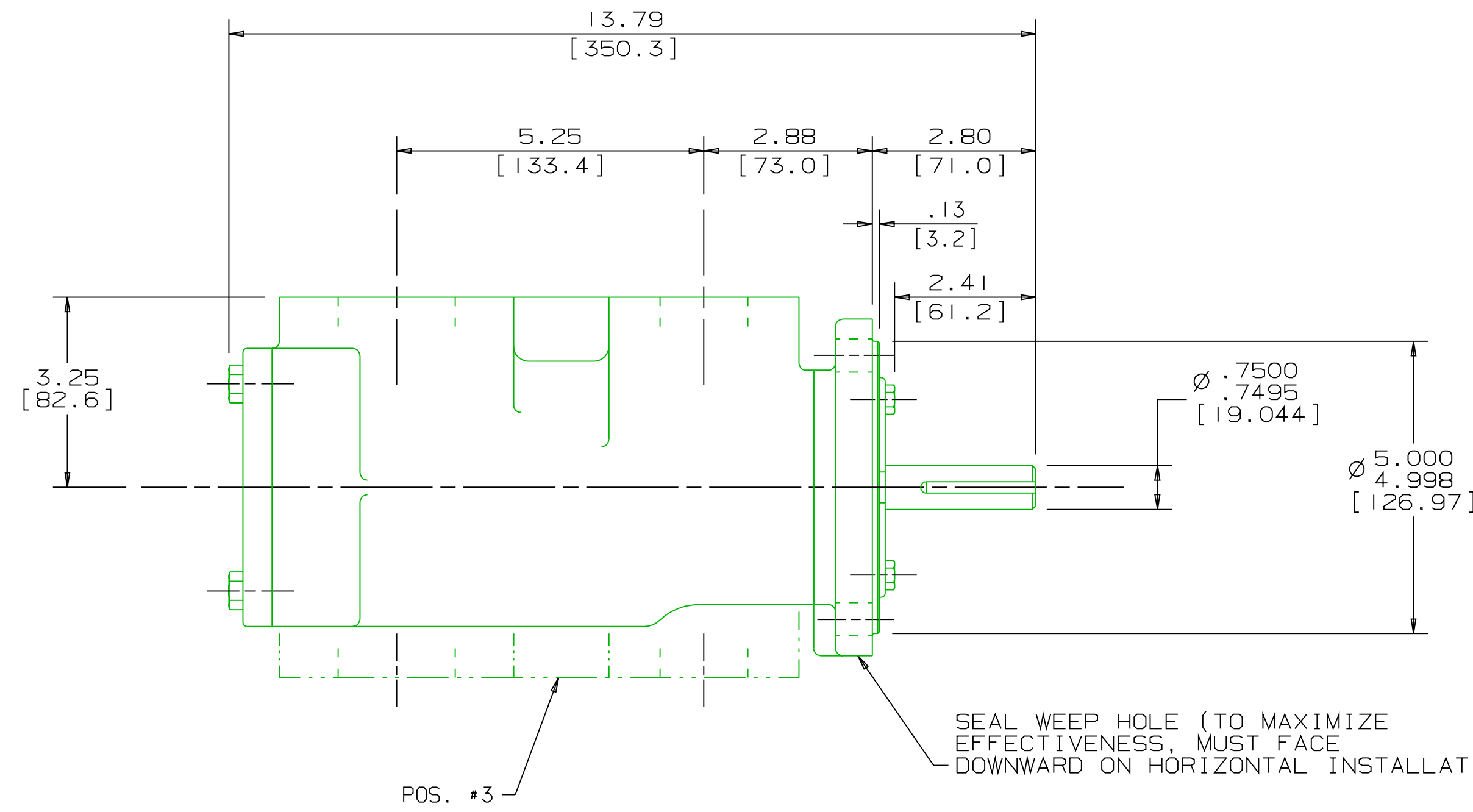
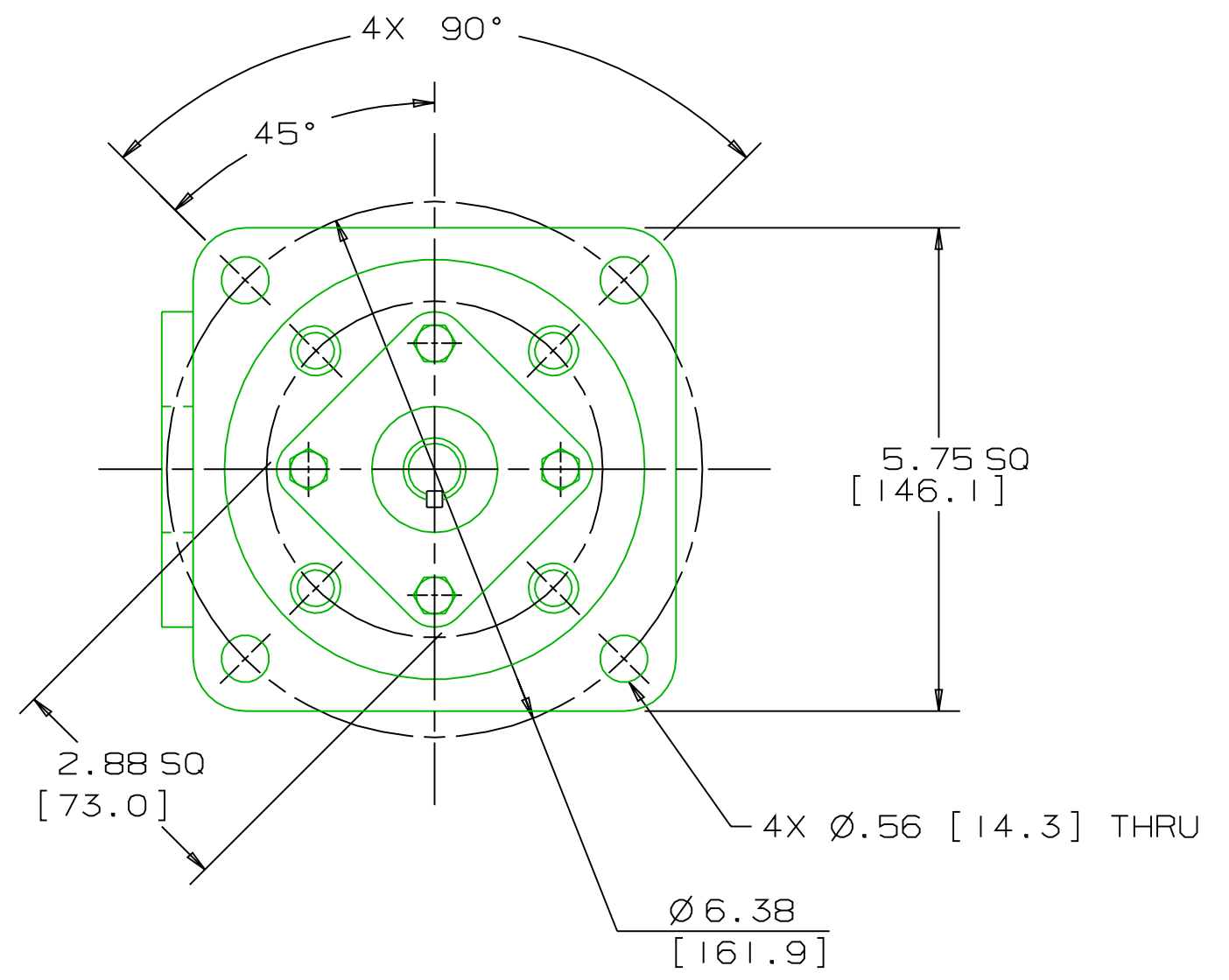
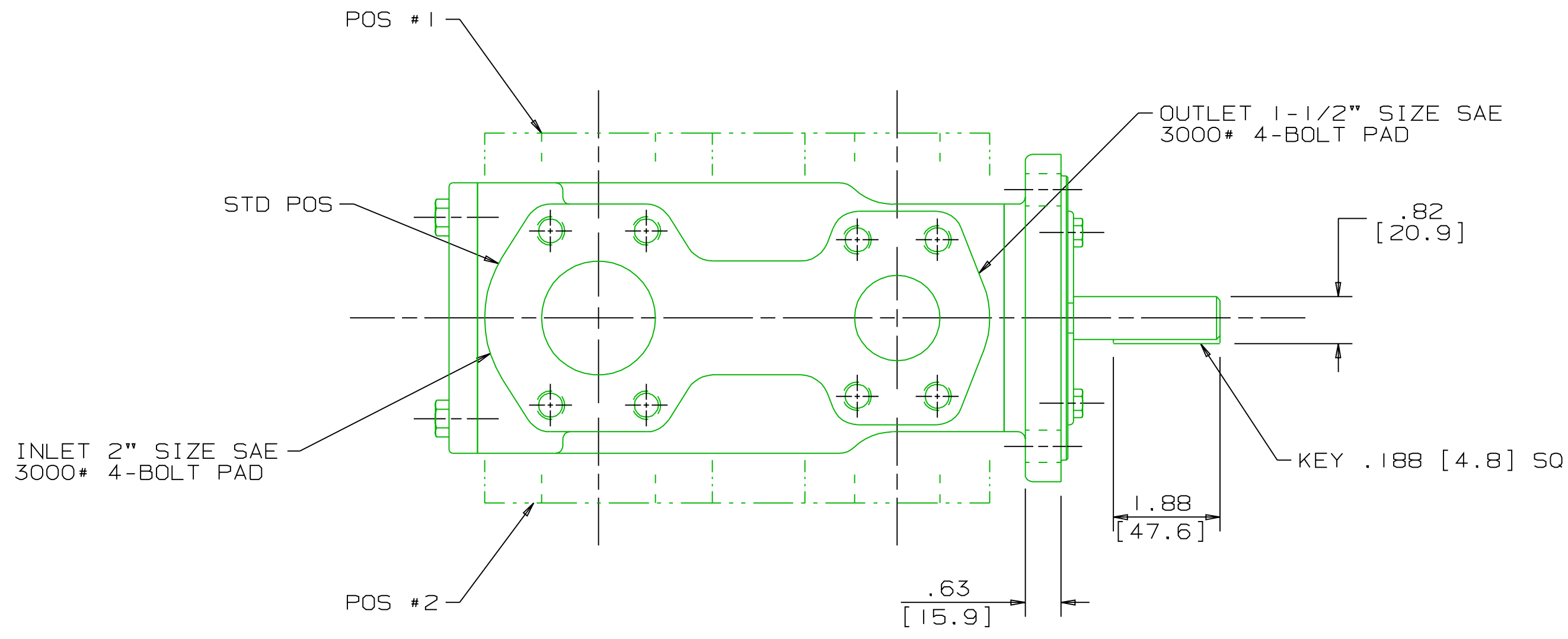
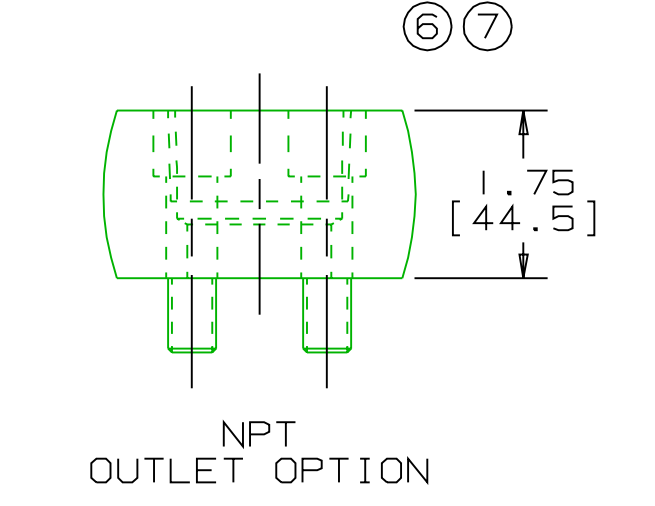
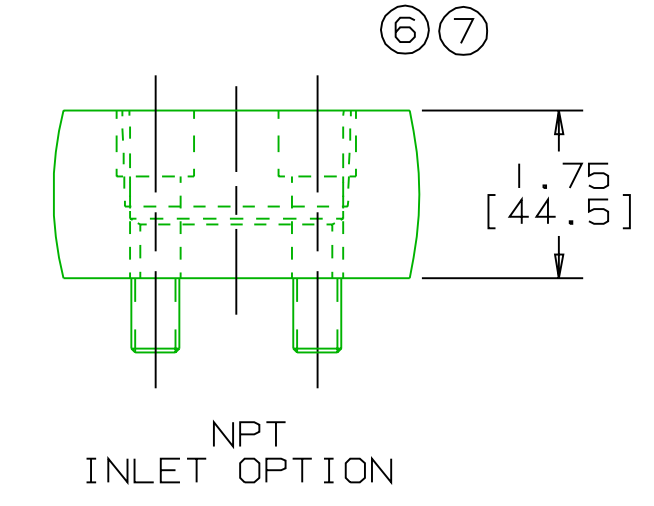
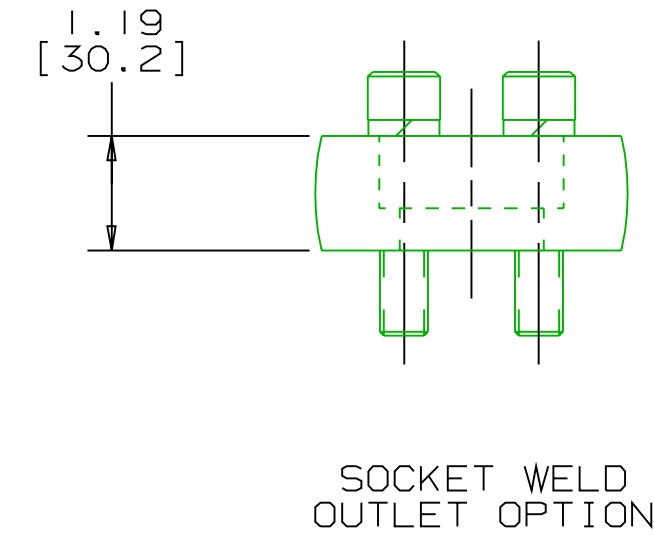
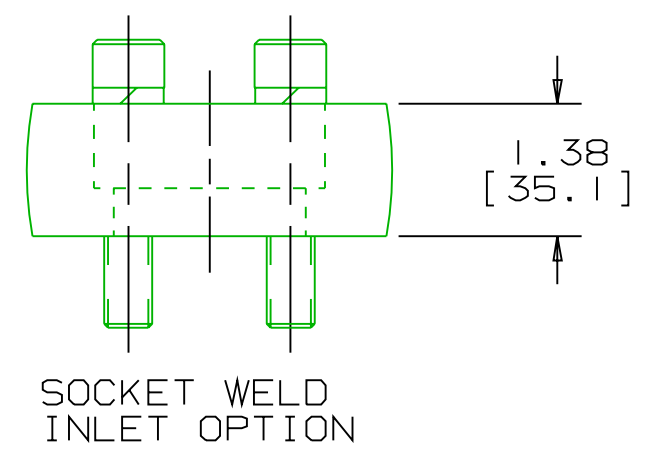
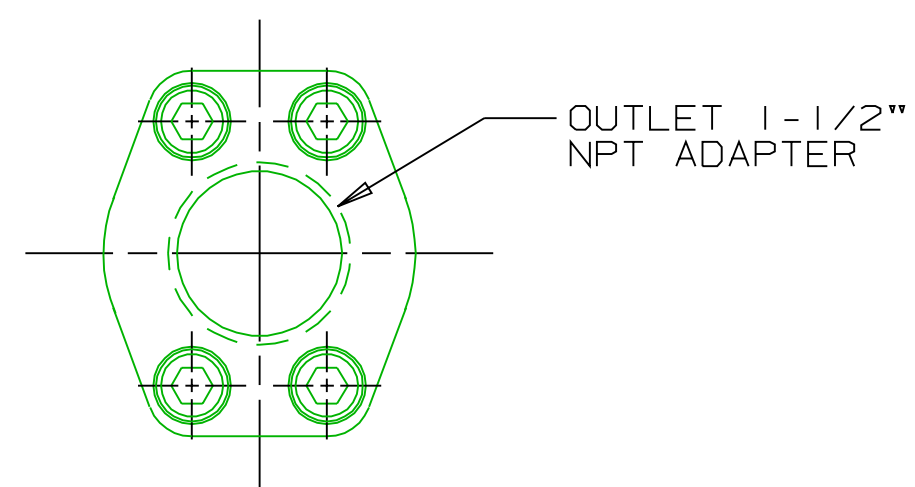
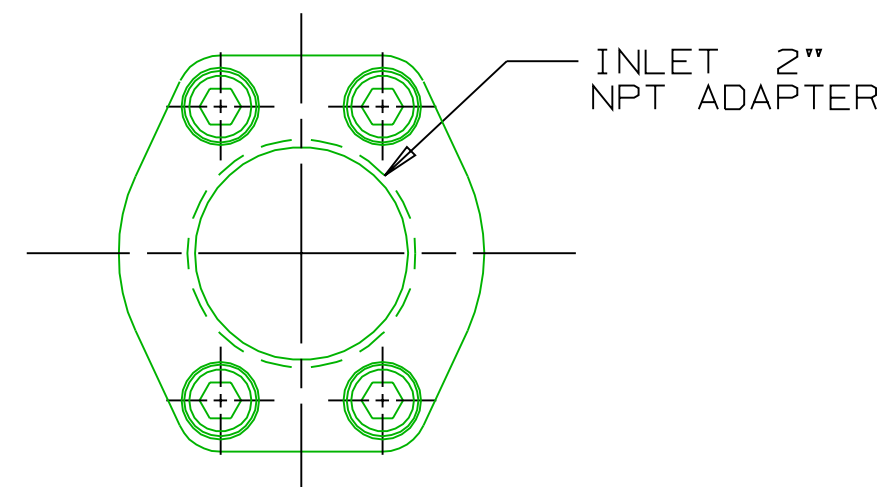
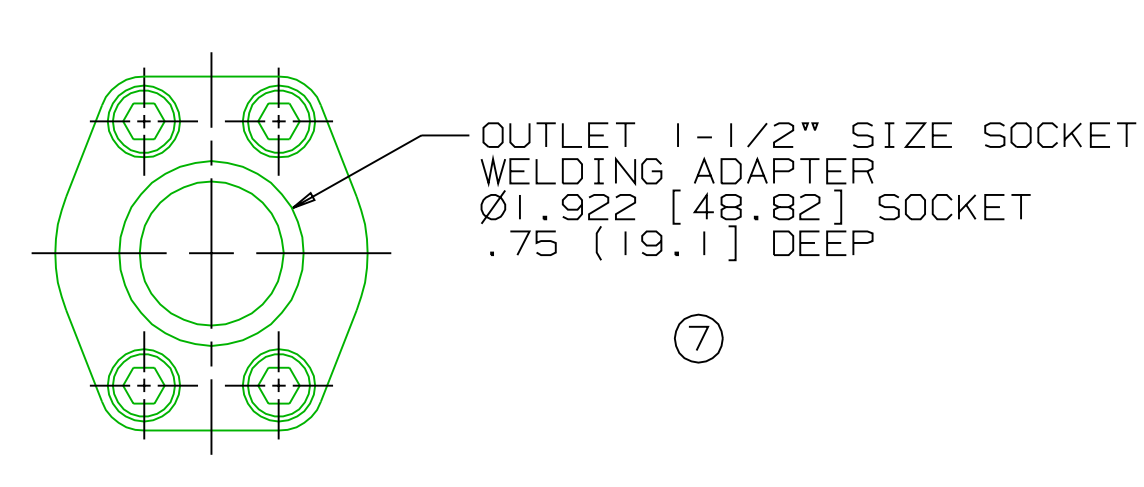
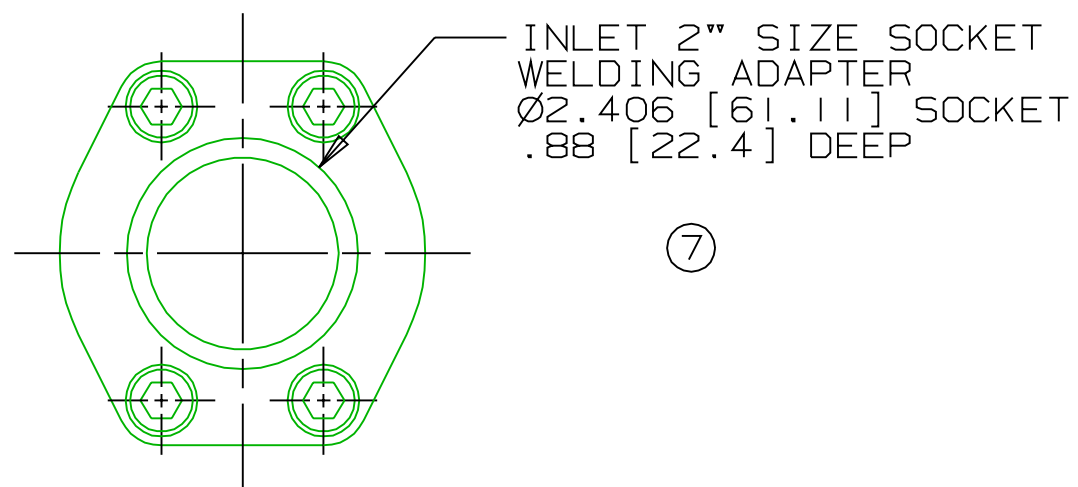


REVISION HISTORY						
CHG NO	ZONE	REV	DESCRIPTION	DATE	BY	APPROVED
01-0270	D3, D4	6	ADDED LOCKWASHERS & CAP SCREW HEADS TO ADAPTERS	5-31-01	KV	KV
01-0287	ALL	7	ALL ADAPTERS UPDATED TO REFLECT 9/99 ANCHOR CATALOG	6-12-01	DMM	DMM



SEAL WEEP HOLE (TO MAXIMIZE EFFECTIVENESS, MUST FACE DOWNWARD ON HORIZONTAL INSTALLATIONS)



DRAWING CERTIFICATION	
CUSTOMER NAME	-----
CUSTOMER PO NUMBER	---
CUSTOMER PART NUMBER	-
BOM NUMBER	-----
PUMP TYPE	-----
SHAFT ROTATION	-----
PORT POSITION	-----
INLET PORT OPTION	---
OUTLET PORT OPTION	---
OTHER INFORMATION	
CERTIFIED BY	-----
CERTIFIED DATE	-----
IMO ORDER NUMBER	-----
DATA REVISION NUMBER	-

- NOTES:
- UNLESS OTHERWISE SPECIFIED, ALL DIMENSIONS ARE IN INCHES. DIMENSIONS IN [] ARE MILLIMETERS.
 - PORT POSITIONS ARE RELATIVE TO THE WEEP HOLE FACING DOWNWARD.

WEB ADDRESS: WWW.IMO-PUMP.COM EMAIL: IMO.PUMP@COLFAXCORP.COM

DRAWN WLV 7-21-94
CHECKED MJC 7-21-94
APPROVED MJC 7-21-94

Imo Pump
1710 Airport Road
PO Box 5020
Monroe, NC USA
28111.5020

TITLE
OUTLINE STANDARD _3E_CS-143_/162_

MATERIAL
PROCESS
COMMENTS:
STANDARD ROTATION IS CLOCKWISE WHEN VIEWED FROM COUPLING END OF PUMP. SUCTION STRAINER AND DISCHARGE RELIEF VALVE MUST BE PROVIDED.
ALIGNMENT:
UNITS ARE ACCURATELY ALIGNED AT THE FACTORY. ALIGNMENT SHOULD BE CHECKED BEFORE STARTING TO ENSURE THAT IT IS STILL WITHIN .005 [0.13] F.W.
PRESTARTING:
FLUSH SUCTION PIPING BEFORE CONNECTING PUMP. PRIME AND VENT PUMP. DO NOT START PUMP WITH VALVES CLOSED. READ INSTRUCTION MANUAL FOR DETAILS BEFORE STARTING.

THIRD ANGLE PROJECTION
FIRST ORDER 091391
SIZE D
CAGE CODE 59180
DWG NO SDD17990
USED ON 3252/650
SCALE 1/2
WEIGHT 38 LB [17.2 kg]
SHEET 1 OF 1