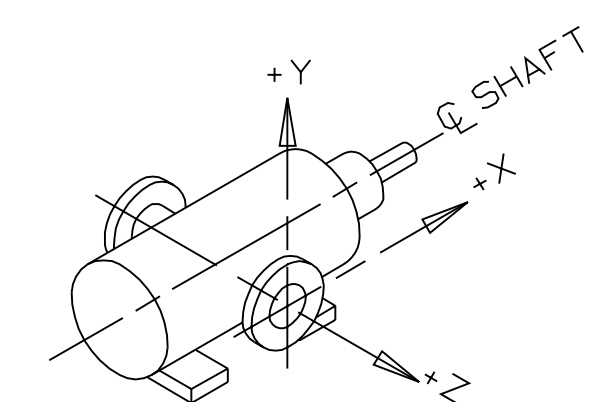


OPTIONAL PORT ADAPTERS



INLET:  
 FX=37.5 LBF [167 N]    MY=62.5 LB FT [84.7 N·m]  
 FY=37.5 LBF [167 N]    MZ=62.5 LB FT [84.7 N·m]  
 FZ=37.5 LBF [167 N]

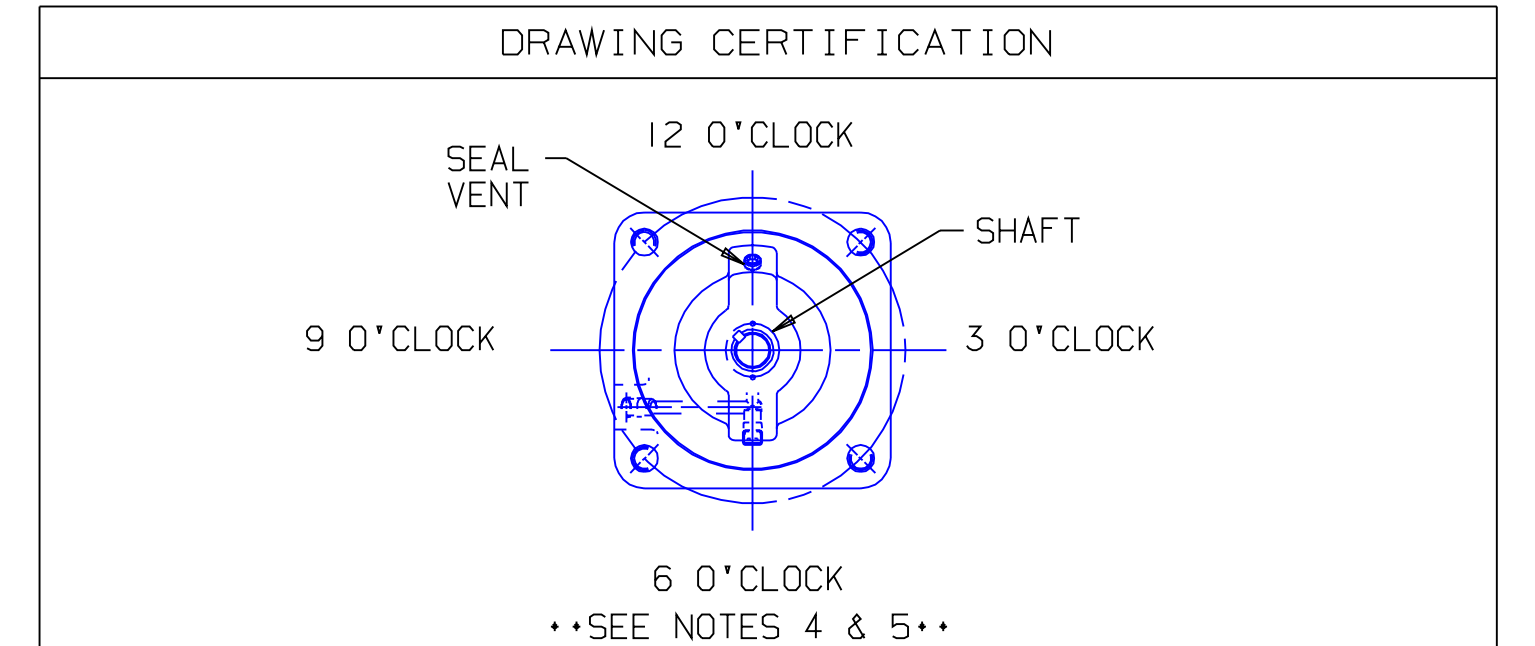
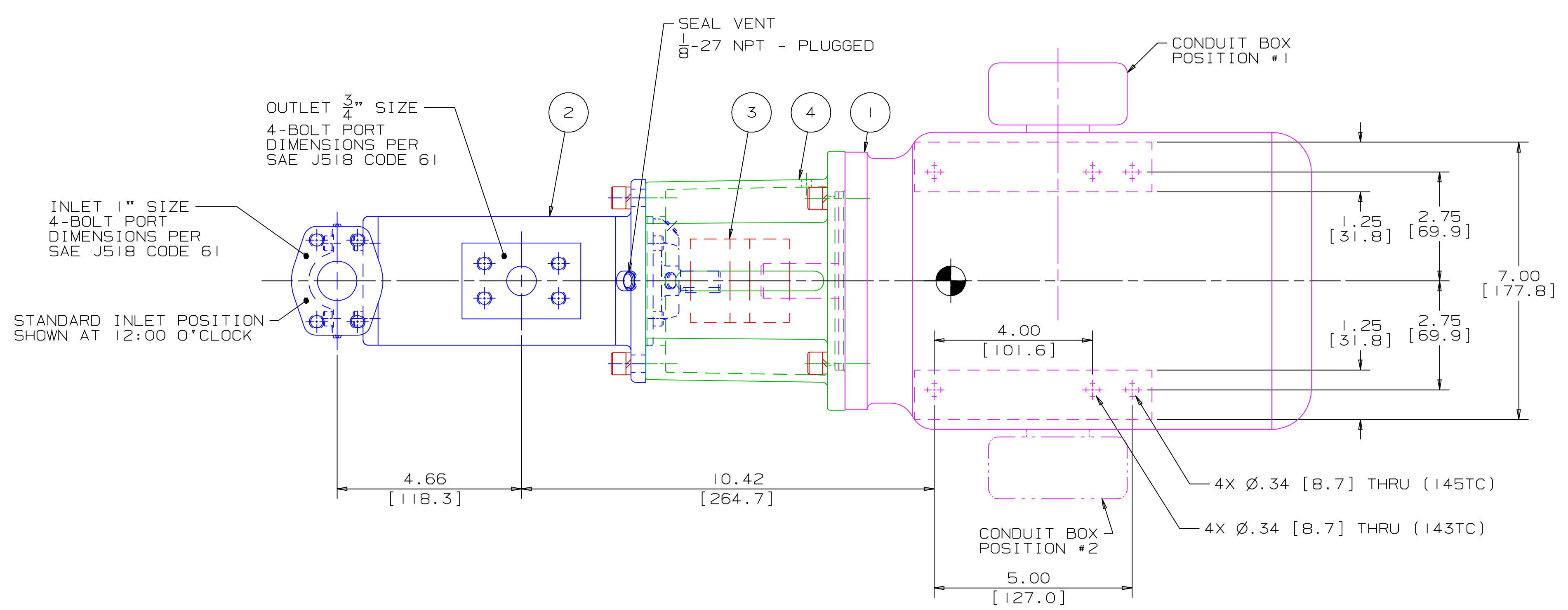
OUTLET:  
 FX=28.1 LBF [125 N]    MY=46.9 LB FT [63.6 N·m]  
 FY=28.1 LBF [125 N]    MZ=46.9 LB FT [63.6 N·m]  
 FZ=28.1 LBF [125 N]

FORCE AND MOMENT VALUES ARE RELATIVE TO  
CENTER OF INLET AND OUTLET PORT FACES.

CHG NO	ZONE	REV	DESCRIPTION	DATE	BY	APPROVED
01-0503	A2,D2	1	REMOVED NOTE 6 & REVISED DRAWING CERTIFICATION BLOCK	10-16-01	DMM	DMM

ITEM	DESCRIPTION	APPROXIMATE WEIGHT		MATERIAL
		LBS	KG	
1	MOTOR* (143TC OR 145TC)	68.0	30.8	
2	PUMP	18.0	8.2	
3	COUPLING, LOVEJOY L-095	1.8	0.8	
4	BRACKET	2.2	1.0	ALUMINUM
TOTAL		90.0	40.8	

\* DRIVER DIMENSIONS MAY VARY  
WITH TYPE AND MAKE OF DRIVER



CUSTOMER NAME -----

CUSTOMER PO NUMBER -----

CUSTOMER PART NUMBER -----

UNIT BOM NUMBER -----

PUMP TYPE -----

SHAFT ROTATION -----

INLET PORT ORIENTATION -----

OUTLET PORT ORIENTATION -----

INLET ADAPTER OPTION -----

OUTLET ADAPTER OPTION -----

MOTOR MANUFACTURER -----

TYPE -----

FRAME -----

POWER -----

ROTATING SPEED -----

PHASE(S) -----

FREQUENCY -----

VOLTAGE -----

CONDUIT BOX POSITION -----

MOTOR INSTALLED BY -----

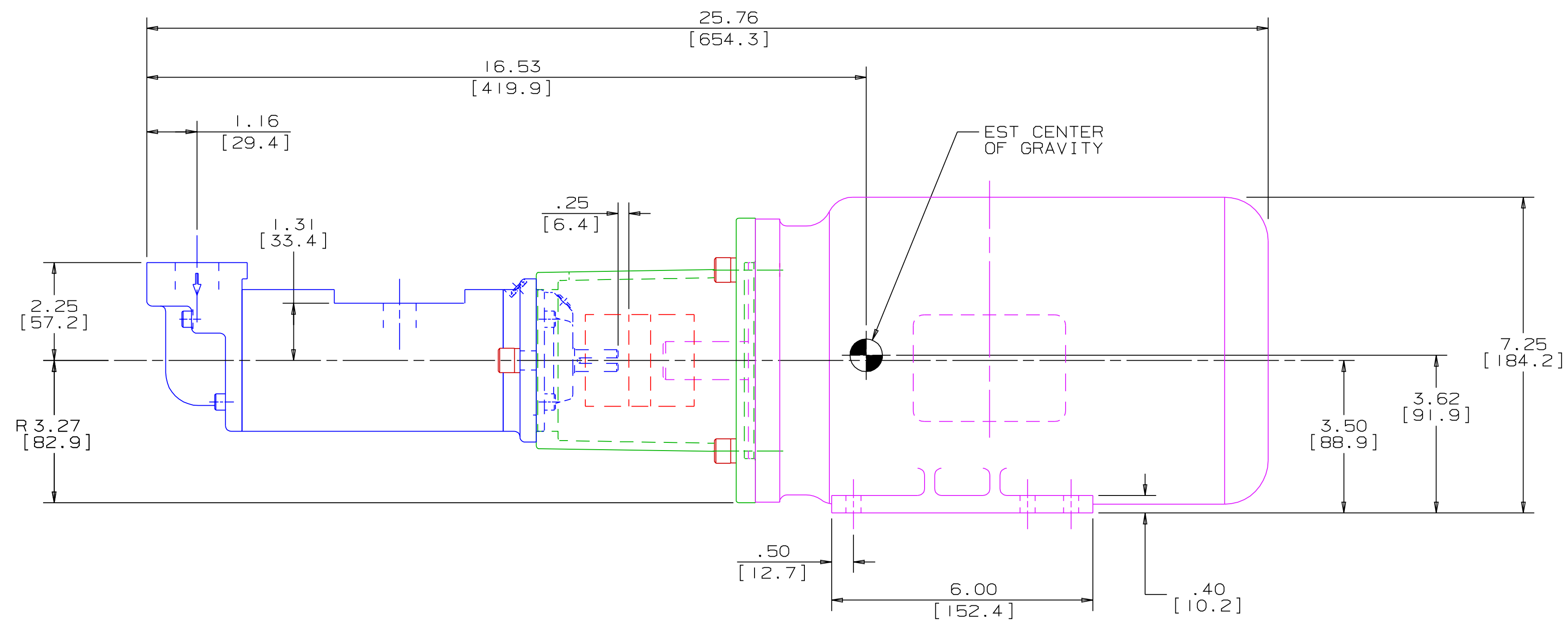
CERTIFIED BY -----

IMO ORDER NUMBER -----

CERTIFICATION DATE -----

CERTIFICATION REV. NO. -----

NOTES:



- NOTES:
- UNLESS OTHERWISE SPECIFIED, ALL DIMENSIONS ARE IN INCHES. DIMENSIONS IN [ ] ARE MILLIMETERS.
  - THIS IS A STANDARD PRE-ENGINEERED UNIT OUTLINE. ANY CHANGES OUTSIDE OF THE CERTIFICATION BLOCK WILL REQUIRE A NEW DRAWING ASSIGNMENT.
  - APPROXIMATE WEIGHT AND ESTIMATED C/G DO NOT INCLUDE OPTIONAL ADAPTERS OR OPTIONAL RELIEF VALVE.
  - TO MAXIMIZE SEAL LIFE, SEAL VENT MUST BE ORIENTED UPWARD (12 O'CLOCK) WHEN PUMP IS INSTALLED HORIZONTALLY. VENT ORIENTATION IS NOT CRITICAL WHEN PUMP IS INSTALLED WITH SHAFT VERTICALLY UPWARD.
  - ALTERNATE PORT ORIENTATIONS ARE PROVIDED IF SPECIFIED ON ORDER. AVAILABLE ORIENTATIONS ARE 3,6,9, AND 12 O'CLOCK.

WEB ADDRESS: WWW. IMO-PUMP.COM    EMAIL: IMO.PUMP@COLFAXCORP.COM

DRAWN	DMM	7-27-01
CHECKED	DMM	9-25-01
APPD	DMM	9-25-01
PROCESS		

Imo Pump  
1710 Airport Road  
PO Box 5020  
Monroe, NC USA  
28111.5020

TITLE  
OUTLINE UNIT STANDARD (STEEL)  
AA3G / S-095

SIZE  
F 59180

DWG NO  
SDD20086

SCALE  
1/2

WEIGHT  
SEE ABOVE

SHEET  
1 OF 1

STEEL 3G-095 UNIT